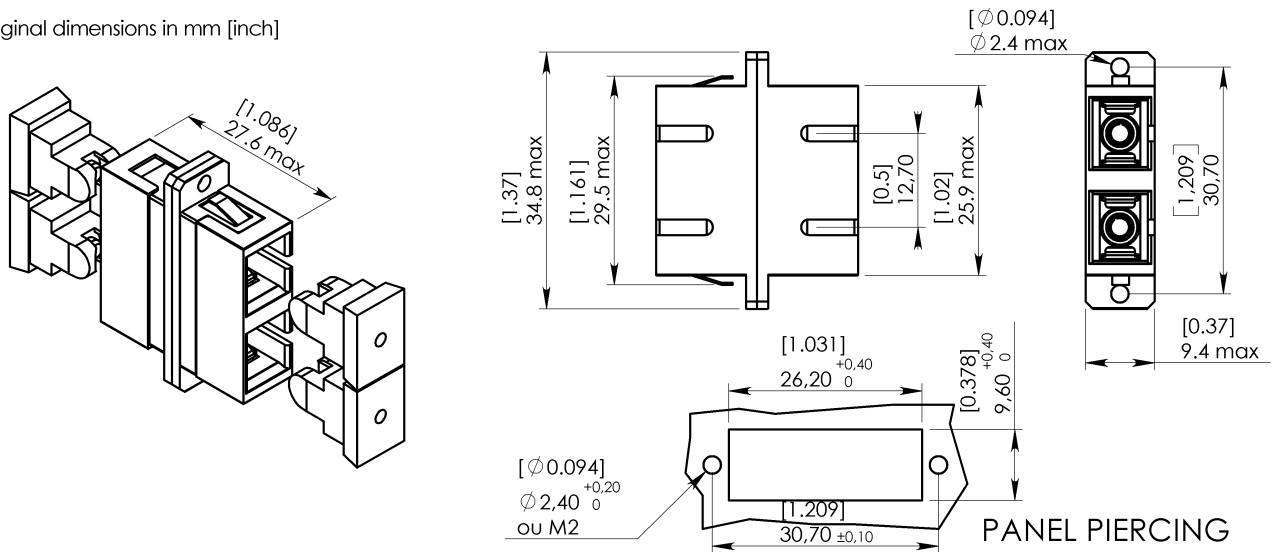


Original dimensions in mm [inch]



### GENERAL

- Type :** IEC 60874-19 SC type. Push pull latching system  
 Body color : green
- Mounting :** snap-in (or screw –in) mounting max. Panel thickness 1.6mm
- Alignment sleeve :** Zirconia

### CHARACTERISTICS (Dependant on fiber or cable construction)

- Material : Plastic moulded** Material in accordance with BELLCORE  
 GR 326 CORE Issue 2, par.3.3.1  
 Inflammability V1 (UL94)  
 Stainless stell
- Clip**
- Optical :** Attenuation (according to IEC 61300-3-4:Substitution method, 7 type) at 1310nm :  
 0.11 dB Max / 0.05 dB Typ
- Mechanical : Durability** Bellcore 326, 500 cycles  
**Plug Retention** > 68 N
- Environmental : Temperature range (storage/operating)** -40°C to +85°C
- Salt spray :** EIA/TIA -455-16A, 35°C, 168 hr.
- Vibration test :** Bellcore 326, 10 to 50 Hz, 2 hrs./axis
- Proof test :** Bellcore 326, Straight pull : 6.8 Kg load at 0°  
 Side pull : 3.5 Kg load at 90°

CREATION					<b>RADIALL</b> <sup>®</sup> 101, rue P. Hoffmann 93116 ROSNY/BOIS FRANCE Tel : (33) 0149353535 Fax : (33) 0148546363	
Pen/EP CAT	Date	Appr.:	Revisions	Name		
Name: CAUSSE.C	4 jan 11		Mise à jour performances mécaniques	Poret	HD	
Date: 23 Jul.99	01/09/02		Performance specified	Valencia	LV	
Appr.: LV	Issue					