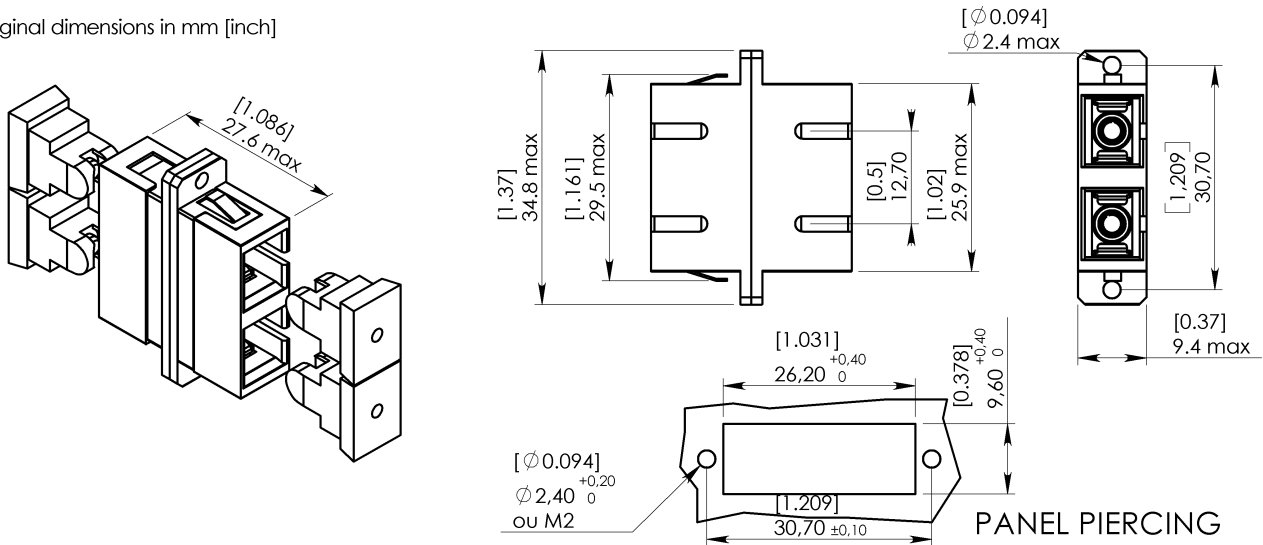


Original dimensions in mm [inch]


**GENERAL**

- Type :** IEC 60874-19 SC type. Push pull latching system  
Body color : blue
- Mounting :** flange screw – in mounting
- Alignment sleeve :** Zirconia

**CHARACTERISTICS** (Dependant on fiber or cable construction)

- Material : Plastic moulded** Material in accordance with BELLCORE GR 326 CORE Issue 2, par.3.3.1  
Inflammability V1 (UL94)
- Optical :** Attenuation (according to IEC 61300-3-4:Substitution method, 7 type) at 1310nm :  
0.11 dB Max / 0.05 dB Typ
- Mechanical : Durability** Bellcore 326, 500 cycles  
**Plug Retention** > 68 N
- Environmental : Temperature range (storage/operating)** -40°C to +85°C
- Salt spray :** EIA/TIA -455-16A, 35°C, 168 hr.
- Vibration test :** Bellcore 326, 10 to 50 Hz, 2 hrs./axis
- Proof test :** Bellcore 326, Straight pull : 6.8 Kg load at 0°  
Side pull : 3.5 Kg load at 90°

**CREATION**

 PEN/EP CAT  
 Name: CAUSSE C  
 Date: 23 jul.99  
 Appr.: LV

4 Jan 11 Mise à jour performances mécaniques

10 jan02 Performance specified

Issue Revisions

Poret HD

Valencia LV

Name Appr.

**RADIALL**<sup>®</sup>

 101, rue P. Hoffmann  
 93116 ROSNY/BOIS  
 FRANCE  
 Tel : (33) 0149353535  
 Fax : (33) 0148546363