

SC
MULTIMODE FIBER OPTIC CONNECTOR

Outer plug body and boot: color beige

Series

F728

Packaging

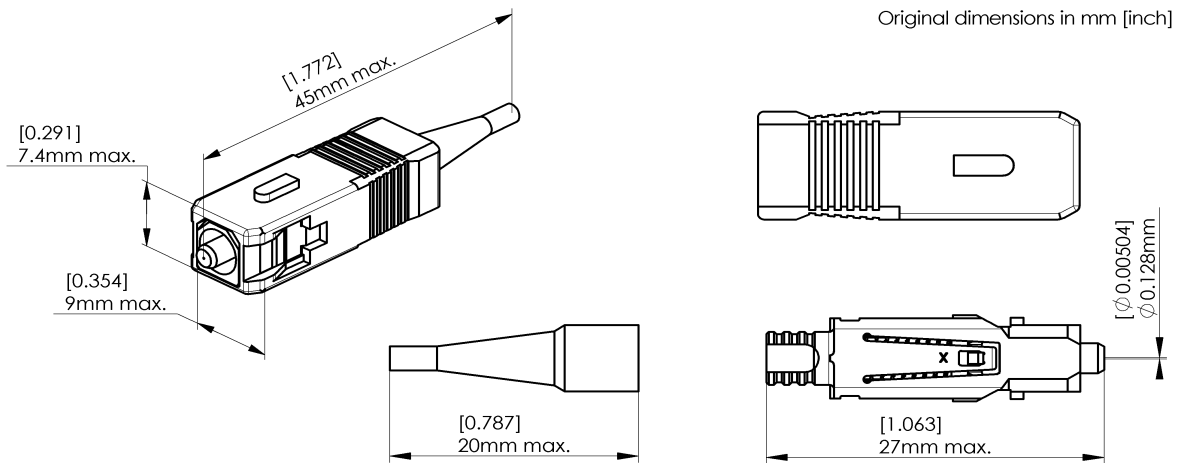
100

Issue

30Dec.10

Page

1/1


GENERAL

Type : IEC 61754-4 type SC
 Multimode, zirconia ceramic ferrule (20 mm pre-radius)
 Push-pull latching system, floating ferrule
 360°tunable (adjustable to 6 positions for optimization of random insertion loss)

Ferrule size : 128 μ m
Fiber size : 50/125; 62.5/125 μ m, multimode

Cable : ϕ 0.9mm, buffered fiber

Cabling proc. : Refer to 503 08 400 (D 6121 oe), assembly instruction manual

CHARACTERISTICS (Dependant on fiber or cable construction)

Optical : Attenuation at 850 and 1310nm with led source, at EMD condition

	STD	(IEC 61300-2-40)
Mean	< 0.2 dB	(Attenuation plug mated with reference plug IEC 61300-3-4)
Standard deviation	0.08 dB	
Max	< 0.75dB 95%	(Attenuation of random mated connectors IEC 61300-3-34)
Mean	0.25 dB	
Repeatability	0.10 dB	(Maximum loss variation, IEC 61300-2-2)
Return loss	>20 dB	(IEC 61300-3-6)

Mechanical : Mechanical endurance 500 matings
 Cable retention 7 N

Environmental : Temperature range (storage/operating) -40 to +85 °C

CREATION					RADIALL [®]	
N°:					101, rue P. Hoffmann	
PEN/EP: CAT.					93116 ROSNY/BOIS	
Name: PB					FRANCE	
Date: 11 Aug. 99	30 Dec. 10	Mise à jour performances optiques et mécaniques	SP	HD	Tel : (33) 0149353535	
Appr.: LV	Issue	Revisions	Name	Appr.	Fax : (33) 0148546363	