

SC

MULTIMODE FIBER OPTIC CONNECTOR

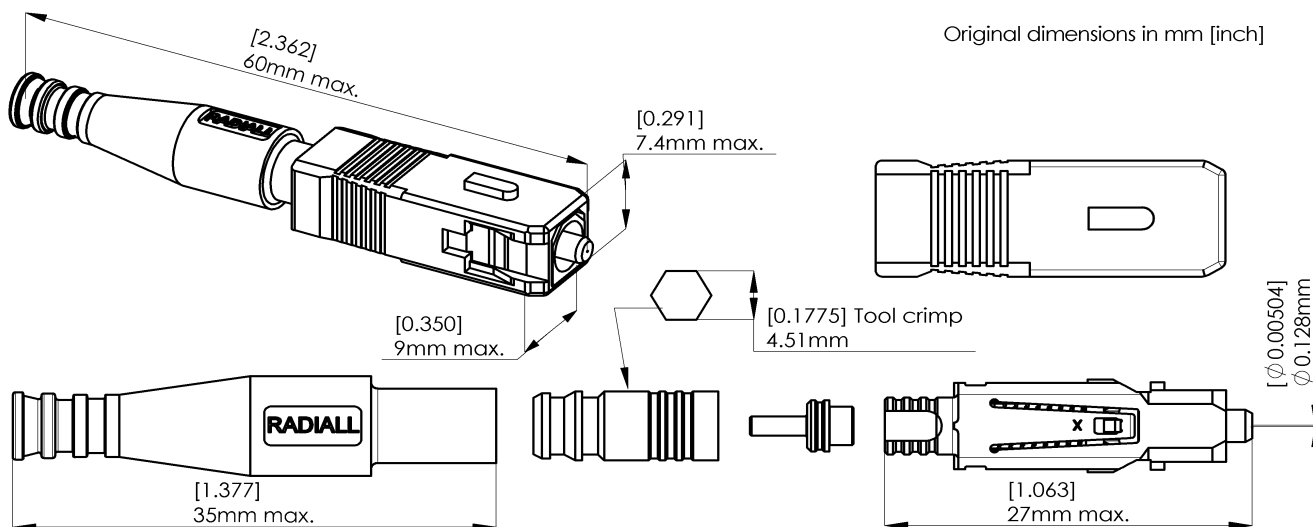
outer plug body and boot : color beige

Packaging :
1

F 7 2 8 0 0 3 7 0 0

Packaging :
100

F 7 2 8 1 0 3 7 0 0



GENERAL

Type : IEC 61754-4 type SC
Multimode zirconia ceramic ferrule (20mm pre-radius)
Push-pull latching system
Floating ferrule
360° tunable (adjustable to 6 positions for optimization of random insertion loss)

Ferrule size : 128µm
Fiber size : 50/125; 62,5/125µm multimode

Cable : DIA 2,7 to 3mm cable, tight or semi loose structure

Cabling proc. : Refer to 503 08 400 (D 6121 oe) assembly instruction manual

CHARACTERISTICS (Dependant on fiber or cable construction)

Optical : Attenuation at 850 and 1310nm with LED source, at EMD condition

		STD		
	mean	< 0,20 dB		(Attenuation plug mated with reference plug IEC 61300-3-4)
	standard deviation	0,08 dB		
	max.	< 0,75dB, 95%		(Attenuation of random mated connectors IEC 61300-3-4)
	mean	0,25 dB		
	Repeatability	0,10 dB		(Maximum loss variation, IEC 61300-2-2)
	Return loss	>20 dB		(IEC 61300-3-6)

Mechanical : Mechanical endurance 200 matings
Cable retention 100N
Environmental : Temperature range (storage/operating) -40°C to +85°C / -40°C to +70°C

(Performance and specification: see document GEN - F728 001)

CREATION						RADIALL 101, rue P. Hoffmann - Z.I. Ouest 93116 ROSNY / BOIS Cedex-France Phone : (0033) 149353535 Fax : (0033) 48546363	
N° :							
PEN/EP : CAT.							
Name : PB							
Date : 11 Aug. 99							
App. : LV	Issue	Revisions	Name	App.			