

BOOT FOR Ø 2 TO 2.2 MM CABLE

Series

LC

Packaging

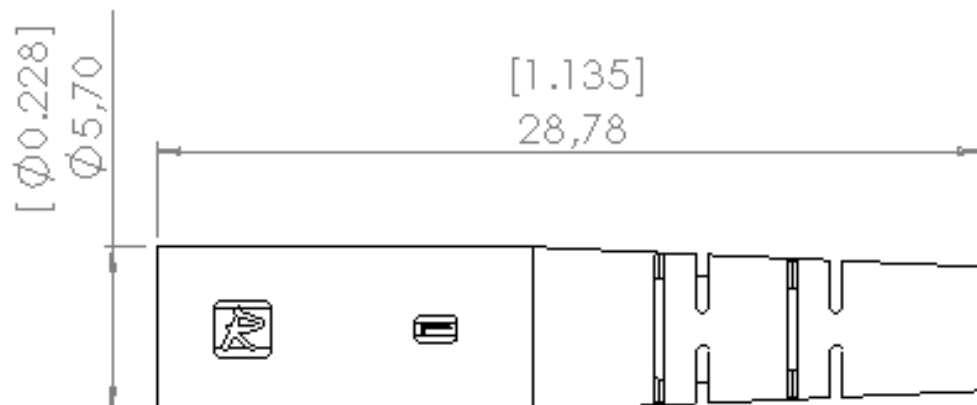
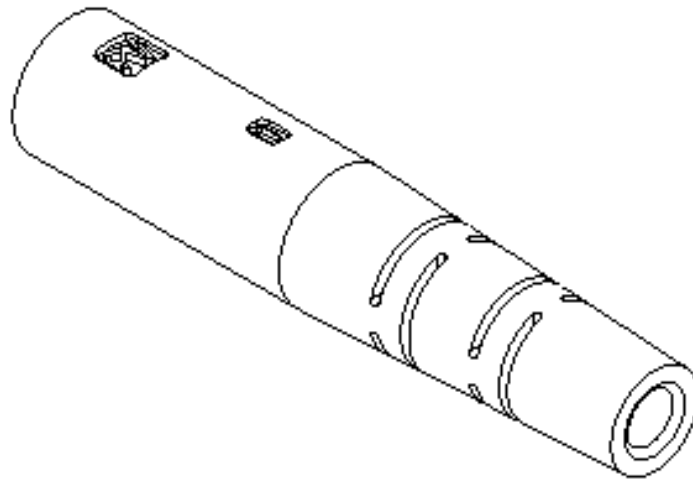
100

Issue

06 Jan 2011

Page

1/1



Original dimensions in mm [inch]

GENERAL

- Compatible with LC connectors
- Suitable for use with cable size Ø 2 to 2.2mm
- Compatible with Bellcore GR 326 specification (VO, LOI 28 % mini.)
- Color : **AQUA**