



Titre: ST2 MULTIMODE PLUG \varnothing 140 μ m CERAMIC FERRULE CABLE \varnothing 3 max

Series
F709

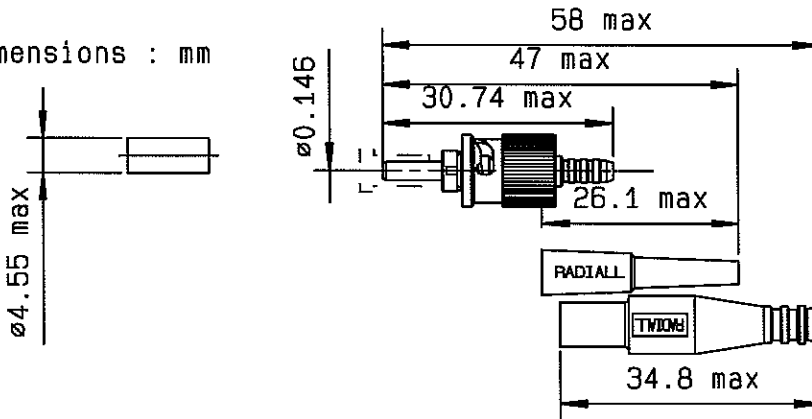
Issue:
04-06-00

Page
1/1

PACKAGING : SINGLE

mm to inch : 0.03937

Dimensions : mm



BOOT :
- COLOUR BLACK
- INFLAMMABILITY : V1 (UL94)

BODY :
- BRASS
- NICKEL PLATED

GENERAL

- TYPE :** - IEC 1754-2 Type BFOC/2.5 - "ST2"
- Ceramic Zirconia ferrule 20 mm pre-radius
- Bayonet latching system
- FIBRE :** - Multimode 100/140
- CABLE :** - Cable \varnothing 2.7 to 3 mm (Hex. 3.84)
- WIRING :** ASSEMBLY PROCEDURE 503 08 390
- For a tight cable \varnothing 2 with aramid strength member and a coated fiber \varnothing 0.9 :
----- See procedure F709PC02
 - For a loose cable \varnothing 3 with aramid strength member, a tube \varnothing 0.6/1 and a coated fiber \varnothing 0.25 :-----See procedure F709PC30
 - For a coated fiber \varnothing 0.9 :-----See procedure F709PC01
 - For a coated fiber \varnothing 0.25 inside a tube \varnothing 0.6/1 :-----See procedure F709PC32

CHARACTERISTICS

(Depending on fibre or cable construction)

- OPTICAL:** Typical insertion loss (IEC 1300-3-4, Methode B or CECC 86000 Methode 7) with adaptor F709730000 at 850 nm (LED).
- Typical : 0.25 dB
 - Standard deviation : 0.15 dB
 - Reproducibility ; 0.05 dB
- Return loss (IEC 61300-3-6 Methode B or CECC Methode 3, OTDR) :
- >30 dB (PC)
- MECHANICAL :**
- Mating life : 500 mating cycles
 - Fibre retention : 5 N
 - Cable retention : 10 N
 - Vibrations : 10-55Hz, 1.5 mm
- ENVIRONMENTAL:-** Climatic category : 25/70/4 0.2 dB

CREATION					
N°	: EPF 9752	04/06/00	Change of protective cap	Lahera R	
Name	: CAUSSE C.	03-17-99	ASSEMBLY PROCEDURE REFERENCE	VALENCIA	
Date	: 10-19-98	10-19-98	First issue	VALENCIA	
Verif.:	VALENCIA	Issue	Revisions	Name	Approved