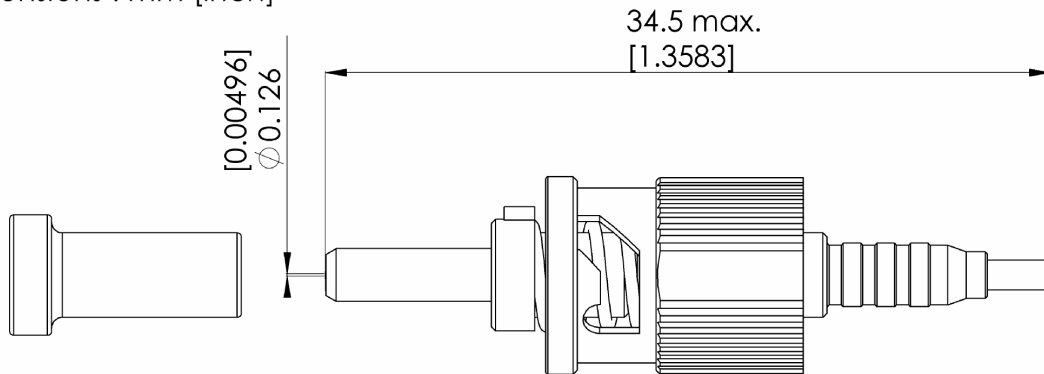




Dimensions : mm [inch]



GENERAL

- Type** : IEC 1754-2 BFOC-2 type
Bayonet latching system
- Construction** : Ferrule : Zirconia ceramic, 20 mm pre-radius, 126 µm
Body : Brass, nickel plated
Dust cap : Plastic, yellow, V0 (UL94)
- Ferrule size** : 126 µm
- Fiber size** : Singlemode
- Cabling proc.** : Assembly procedure 503 08 390

CHARACTERISTICS (Depending on fibre or cable construction)

Optical	Attenuation at 1310 and 1550 nm, LD		
	Mean	< 0.25 dB	(1)
	Standard deviation	0.11 dB	(1)
	Repeatability	0.05 dB	(3)
	Return loss	PC > 30 dB	(4)
Mechanical	Mechanical endurance	500 matings	
	Cable retention	100 N	
	Vibration	10-55 Hz, 1.5 mm peak to peak	
Environmental	Temperature range (storage/operating)	-40 to +85 °C / -40 to +70 °C	

(1) Attenuation plug mated with reference plug IEC 61300-3-4
(2) Maximum loss variation, IEC 61300-2-2
(3) IEC 61300-3-6

CREATION						RADIALL [®] 101, rue P. Hoffmann 93116 ROSNY/BOIS FRANCE Tel : (33) 0149353535 Fax : (33) 0148546363
N°:						
PEN/EP :						
Name: SD						
Date: 12 15 99						
Appr.:	Issue	Revisions	Name	Appr.		