

- 1
- 2
- 3
- 4
- 5
- 6
- 7
- 8
- 9
- 10
- 11
- 12
- 13
- 14
- 15
- 16
- 17
- 18

MATERIAL

Glass-fibre reinforced polyamide based (PA) technopolymer, grey-black colour, matte finish.

CAP

Glass-fibre reinforced polyamide based (PA) technopolymer, in Ergostyle colours, matte finish, press-fit assembly.
Available also as accessory sold separately (see table ECA.).

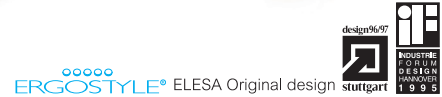
Code	Description	Cap for
29752-*	ECA.W2-*	EWN.48
29753-*	ECA.W3-*	EWN.55
29755-*	ECA.W5-*	EWN.63
29754-*	ECA.W4-*	EWN.70

* Complete with colour index (C1, ..., C17).

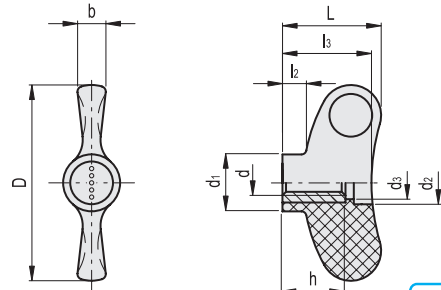
STANDARD EXECUTIONS

- **EWN-B:** brass boss, threaded pass-through hole, with cap.
- **EWN-SST:** AISI 303 stainless steel boss, threaded pass-through hole, with cap.
- **EWN-FP:** brass boss, threaded pass-through hole, without cap.
- **EWN-SST-FP:** AISI 303 stainless steel boss, threaded pass-through hole, without cap.
- **EWN-p:** zinc-plated steel threaded stud with chamfered flat end as in UNI 947 : ISO 4753 (see Technical data on page A-10), with cap.
- **EWN-SST-p:** AISI 303 stainless steel threaded stud, chamfered flat end according to UNI 947 : ISO 4753 (see Technical data on page A-10), with cap.

Conversion Table	
1 mm = 0.039 inch	
D	
mm	inch
40	1.57
47	1.85
55	2.16
63	2.48
70	2.76



EWN-FP
EWN-SST-FP



METRIC

EWN-FP

Code	Description	D	d6H	L	d1	d2	d3	l2	l3	b	h	C# [Nm]	⚖
223115-C0	EWN.40 FP-M5-C0	40	M5	20	13.5	10	8.5	4	18	6	12	9	10
223116-C0	EWN.40 FP-M6-C0	40	M6	20	13.5	10	8.5	4	18	6	12	10	9
223117-C0	EWN.40 FP-M8-C0	40	M8	20	13.5	10	8.5	4	18	6	12	11	8
223122-C0	EWN.48 FP-M5-C0	47	M5	24	13.5	10	8.5	5.5	21.5	7	12	9	10
223123-C0	EWN.48 FP-M6-C0	47	M6	24	13.5	10	8.5	5.5	21.5	7	12	10	9
223124-C0	EWN.48 FP-M8-C0	47	M8	24	13.5	10	8.5	5.5	21.5	7	12	11	8
223132-C0	EWN.55 FP-M6-C0	55	M6	28	16	12	10.5	6.5	25	8	18	20	19
223133-C0	EWN.55 FP-M8-C0	55	M8	28	16	12	10.5	6.5	25	8	18	25	18
223144-C0	EWN.63 FP-M8-C0	63	M8	32	19	14	10.5	7.5	29	9	20	45	27
223145-C0	EWN.63 FP-M10-C0	63	M10	32	19	14	10.5	7.5	29	9	20	55	26
223152-C0	EWN.70 FP-M8-C0	70	M8	36	20	15	13	8	32	10	20	45	32
223153-C0	EWN.70 FP-M10-C0	70	M10	36	20	15	13	8	32	10	20	55	31

EWN-SST-FP

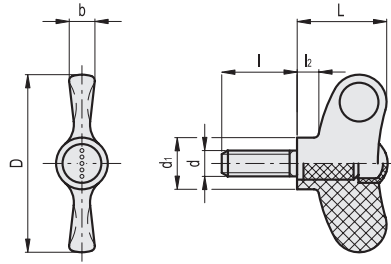
Code	Description	D	M	L	d1	d2	d3	l2	l3	b	h	C# [Nm]	⚖
224115-C0	EWN.40 SST-FP-M5-C0	40	M5	20	13.5	10	8.5	4	18	6	12	9	10
224116-C0	EWN.40 SST-FP-M6-C0	40	M6	20	13.5	10	8.5	4	18	6	12	9	9
224117-C0	EWN.40 SST-FP-M8-C0	40	M8	20	13.5	10	8.5	4	18	6	12	10	8
224122-C0	EWN.48 SST-FP-M6-C0	47	M6	24	13.5	10	8.5	5.5	21.5	7	12	10	9
224123-C0	EWN.48 SST-FP-M8-C0	47	M8	24	13.5	10	8.5	5.5	21.5	7	12	10	8
224133-C0	EWN.55 SST-FP-M8-C0	55	M8	28	16	12	10.5	6.5	25	8	18	20	18
224143-C0	EWN.63 SST-FP-M10-C0	63	M10	32	19	14	10.5	7.5	29	9	20	45	26
224153-C0	EWN.70 SST-FP-M10-C0	70	M10	36	20	15	13	8	32	10	20	45	31

INOX STAINLESS STEEL

METRIC

Clamping knobs

EWN-p
EWN-SST-p



Conversion Table
1 mm = 0.039 inch

D	
mm	inch
40	1.57
47	1.85
55	2.16
63	2.48
70	2.76



* Complete with colour index, example: 223216-C2 EWN.48 B-M5-C2

C1 RAL7021
 C2 RAL2004
 C3 RAL7035
 C4 RAL1021
 C5 RAL5024
 C6 RAL3000
 C17 RAL6017

EWN-B

METRIC

Code	Description	D	d6H	L	d1	l2	b	h	C# [Nm]	⚖️
223201-*	EWN.40 B-M5-*	40	M5	20	13.5	4	6	12	10	10
223206-*	EWN.40 B-M6-*	40	M6	20	13.5	4	6	12	11	9
223211-*	EWN.40 B-M8-*	40	M8	20	13.5	4	6	12	13	8
223216-*	EWN.48 B-M5-*	47	M5	24	13.5	5.5	7	12	10	11
223221-*	EWN.48 B-M6-*	47	M6	24	13.5	5.5	7	12	11	10
223226-*	EWN.48 B-M8-*	47	M8	24	13.5	5.5	7	12	13	9
223236-*	EWN.55 B-M6-*	55	M6	28	16	6.5	8	18	20	20
223241-*	EWN.55 B-M8-*	55	M8	28	16	6.5	8	18	26	19
223251-*	EWN.63-B M8-*	63	M8	32	19	7.5	9	20	45	29
223256-*	EWN.63-B M10-*	63	M10	32	19	7.5	9	20	58	28
223406-*	EWN.70 B-M8-*	70	M8	36	20	8	10	20	45	34
223411-*	EWN.70 B-M10-*	70	M10	36	20	8	10	20	58	33

EWN-SST

INOX STAINLESS STEEL

METRIC

Code	Description	D	d6H	L	d1	l2	b	h	C# [Nm]	⚖️
224201-*	EWN.40 SST-M5-*	40	M5	20	13.5	4	6	12	10	10
224206-*	EWN.40 SST-M6-*	40	M6	20	13.5	4	6	12	10	9
224211-*	EWN.40 SST-M8-*	40	M8	20	13.5	4	6	12	10	8
224216-*	EWN.48 SST-M6-*	47	M6	24	13.5	5.5	7	12	10	10
224221-*	EWN.48 SST-M8-*	47	M8	24	13.5	5.5	7	12	10	9
224241-*	EWN.55 SST-M8-*	55	M8	28	16	6.5	8	18	15	19
224256-*	EWN.63-SST M10-*	63	M10	32	19	7.5	9	20	35	28
224411-*	EWN.70 SST-M10-*	70	M10	36	20	8	10	20	35	33

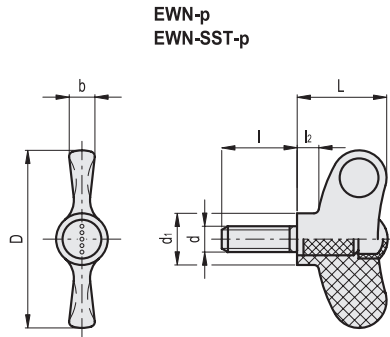
EWN-p

METRIC

Code	Description	D	d6g	L	d1	l	l2	b	C# [Nm]	⚖️
223441-*	EWN.40 p-M5x16-*	40	M5	20	13.5	16	4	6	9	8
223443-*	EWN.40 p-M5x20-*	40	M5	20	13.5	20	4	6	9	8
223447-*	EWN.40 p-M5x30-*	40	M5	20	13.5	30	4	6	9	8
223451-*	EWN.40 p-M6x16-*	40	M6	20	13.5	16	4	6	12	8
223453-*	EWN.40 p-M6x20-*	40	M6	20	13.5	20	4	6	12	8
223455-*	EWN.40 p-M6x25-*	40	M6	20	13.5	25	4	6	12	8
223457-*	EWN.40 p-M6x30-*	40	M6	20	13.5	30	4	6	12	8
223459-*	EWN.40 p-M6x40-*	40	M6	20	13.5	40	4	6	12	8
223461-*	EWN.40 p-M8x16-*	40	M8	20	13.5	16	4	6	12	9
223463-*	EWN.40 p-M8x20-*	40	M8	20	13.5	20	4	6	12	9
223465-*	EWN.40 p-M8x25-*	40	M8	20	13.5	25	4	6	12	9
223467-*	EWN.40 p-M8x30-*	40	M8	20	13.5	30	4	6	12	9
223469-*	EWN.40 p-M8x40-*	40	M8	20	13.5	40	4	6	12	9

"Max limit Tightening torque" means the max torque value at which the metal insert, in normal conditions of use, is perfectly and strongly anchored to the plastic material.

- 1
- 2
- 3
- 4
- 5
- 6
- 7
- 8
- 9
- 10
- 11
- 12
- 13
- 14
- 15
- 16
- 17
- 18



Conversion Table
1 mm = 0,039 inch

D	
mm	inch
40	1.57
47	1.85
55	2.16
63	2.48
70	2.76

*Complete with colour index, example: 223511-C2 EWN.48 p-M5x16-C2

	C1		C2		C3		C4		C5		C6		C17
	RAL7021		RAL2004		RAL7035		RAL1021		RAL5024		RAL3000		RAL6017

EWN-p

Code	Description	D	d6g	L	d1	l	l2	b	C#	Δ
METRIC										
C# [Nm]										
223511*	EWN.48 p-M5x16*	47	M5	24	13.5	16	5.5	7	9	11
223516*	EWN.48 p-M5x20*	47	M5	24	13.5	20	5.5	7	9	12
223519*	EWN.48 p-M5x30*	47	M5	24	13.5	30	5.5	7	9	14
223531*	EWN.48 p-M6x16*	47	M6	24	13.5	16	5.5	7	12	13
223536*	EWN.48 p-M6x20*	47	M6	24	13.5	20	5.5	7	12	13
223541*	EWN.48 p-M6x25*	47	M6	24	13.5	25	5.5	7	12	13
223546*	EWN.48 p-M6x30*	47	M6	24	13.5	30	5.5	7	12	15
223556*	EWN.48 p-M6x40*	47	M6	24	13.5	40	5.5	7	12	17
223565*	EWN.48 p-M8x16*	47	M8	24	13.5	16	5.5	7	12	13
223571*	EWN.48 p-M8x20*	47	M8	24	13.5	20	5.5	7	12	19
223572*	EWN.48 p-M8x25*	47	M8	24	13.5	25	5.5	7	12	13
223573*	EWN.48 p-M8x30*	47	M8	24	13.5	30	5.5	7	12	21
223576*	EWN.48 p-M8x40*	47	M8	24	13.5	40	5.5	7	12	24
223626*	EWN.55 p-M8x20*	55	M8	28	16	20	6.5	8	22	23
223636*	EWN.55 p-M8x30*	55	M8	28	16	30	6.5	8	22	26
223646*	EWN.55 p-M8x40*	55	M8	28	16	40	6.5	8	22	29
223666*	EWN.55 p-M10x20*	55	M10	28	16	20	6.5	8	25	28
223676*	EWN.55 p-M10x30*	55	M10	28	16	30	6.5	8	25	34
223686*	EWN.55 p-M10x40*	55	M10	28	16	40	6.5	8	25	40
223726*	EWN.63 p-M8x20*	63	M8	32	19	20	7.5	9	32	30
223736*	EWN.63 p-M8x30*	63	M8	32	19	30	7.5	9	32	33
223746*	EWN.63 p-M8x40*	63	M8	32	19	40	7.5	9	32	35
223756*	EWN.63 p-M10x20*	63	M10	32	19	20	7.5	9	48	36
223766*	EWN.63 p-M10x30*	63	M10	32	19	30	7.5	9	48	42
223776*	EWN.63 p-M10x40*	63	M10	32	19	40	7.5	9	48	48
223806*	EWN.70 p-M8x20*	70	M8	36	20	20	8	10	32	35
223816*	EWN.70 p-M8x30*	70	M8	36	20	30	8	10	32	38
223826*	EWN.70 p-M8x40*	70	M8	36	20	40	8	10	32	40
223856*	EWN.70 p-M10x20*	70	M10	36	20	20	8	10	48	41
223866*	EWN.70 p-M10x30*	70	M10	36	20	30	8	10	48	47
223876*	EWN.70 p-M10x40*	70	M10	36	20	40	8	10	48	53

EWN-SST-p

Code	Description	D	d6g	L	d1	l	l2	b	C#	Δ
INOX STAINLESS STEEL METRIC										
C# [Nm]										
224441*	EWN.40 SST-p-M5x16*	40	M5	20	13.5	16	4	6	9	8
224443*	EWN.40 SST-p-M5x20*	40	M5	20	13.5	20	4	6	9	8
224453*	EWN.40 SST-p-M6x20*	40	M6	20	13.5	20	4	6	11	8
224457*	EWN.40 SST-p-M6x30*	40	M6	20	13.5	30	4	6	11	8
224463*	EWN.40 SST-p-M8x20*	40	M8	20	13.5	20	4	6	11	9
224467*	EWN.40 SST-p-M8x30*	40	M8	20	13.5	30	4	6	11	9
224469*	EWN.40 SST-p-M8x40*	40	M8	20	13.5	40	4	6	11	9
224536*	EWN.48 SST-p-M6x20*	47	M6	24	13.5	20	5.5	7	11	13
224546*	EWN.48 SST-p-M6x30*	47	M6	24	13.5	30	5.5	7	11	15
224549*	EWN.48 SST-p-M8x20*	47	M8	24	13.5	20	5.5	7	11	20
224551*	EWN.48 SST-p-M8x30*	47	M8	24	13.5	30	5.5	7	11	22
224553*	EWN.48 SST-p-M8x40*	47	M8	24	13.5	40	5.5	7	11	25
224626*	EWN.55 SST-p-M8x20*	55	M8	28	16	20	6.5	8	16	23
224636*	EWN.55 SST-p-M8x30*	55	M8	28	16	30	6.5	8	16	26
224638*	EWN.55 SST-p-M8x40*	55	M8	28	16	40	6.5	8	16	30
224756*	EWN.63 SST-p M10x20*	63	M10	32	19	20	7.5	9	45	36
224766*	EWN.63 SST-p M10x30*	63	M10	32	19	30	7.5	9	45	42
224856*	EWN.70 SST-p-M10x20*	70	M10	36	20	20	8	10	45	41
224866*	EWN.70 SST-p-M10x30*	70	M10	36	20	30	8	10	45	47
224876*	EWN.70 SST-p-M10x40*	70	M10	36	20	40	8	10	45	54

"Max limit Tightening torque" means the max torque value at which the metal insert, in normal conditions of use, is perfectly and strongly anchored to the plastic material..

Clamping knobs