



MICROCHIP

**LAN7431-EDS
Evaluation Board
User's Guide**

Note the following details of the code protection feature on Microchip devices:

- Microchip products meet the specification contained in their particular Microchip Data Sheet.
- Microchip believes that its family of products is one of the most secure families of its kind on the market today, when used in the intended manner and under normal conditions.
- There are dishonest and possibly illegal methods used to breach the code protection feature. All of these methods, to our knowledge, require using the Microchip products in a manner outside the operating specifications contained in Microchip's Data Sheets. Most likely, the person doing so is engaged in theft of intellectual property.
- Microchip is willing to work with the customer who is concerned about the integrity of their code.
- Neither Microchip nor any other semiconductor manufacturer can guarantee the security of their code. Code protection does not mean that we are guaranteeing the product as "unbreakable."

Code protection is constantly evolving. We at Microchip are committed to continuously improving the code protection features of our products. Attempts to break Microchip's code protection feature may be a violation of the Digital Millennium Copyright Act. If such acts allow unauthorized access to your software or other copyrighted work, you may have a right to sue for relief under that Act.

Information contained in this publication regarding device applications and the like is provided only for your convenience and may be superseded by updates. It is your responsibility to ensure that your application meets with your specifications. MICROCHIP MAKES NO REPRESENTATIONS OR WARRANTIES OF ANY KIND WHETHER EXPRESS OR IMPLIED, WRITTEN OR ORAL, STATUTORY OR OTHERWISE, RELATED TO THE INFORMATION, INCLUDING BUT NOT LIMITED TO ITS CONDITION, QUALITY, PERFORMANCE, MERCHANTABILITY OR FITNESS FOR PURPOSE. Microchip disclaims all liability arising from this information and its use. Use of Microchip devices in life support and/or safety applications is entirely at the buyer's risk, and the buyer agrees to defend, indemnify and hold harmless Microchip from any and all damages, claims, suits, or expenses resulting from such use. No licenses are conveyed, implicitly or otherwise, under any Microchip intellectual property rights unless otherwise stated.

Trademarks

The Microchip name and logo, the Microchip logo, AnyRate, AVR, AVR logo, AVR Freaks, BitCloud, chipKIT, chipKIT logo, CryptoMemory, CryptoRF, dsPIC, FlashFlex, flexPWR, Helder, JukeBlox, KeeLoq, Klear, LANCheck, LINK MD, maXStylus, maXTouch, MediaLB, megaAVR, MOST, MOST logo, MPLAB, OptoLyzer, PIC, picoPower, PICSTART, PIC32 logo, Prochip Designer, QTouch, SAM-BA, SpyNIC, SST, SST Logo, SuperFlash, tinyAVR, UNI/O, and XMEGA are registered trademarks of Microchip Technology Incorporated in the U.S.A. and other countries.

ClockWorks, The Embedded Control Solutions Company, EtherSynch, Hyper Speed Control, HyperLight Load, IntelliMOS, mTouch, Precision Edge, and Quiet-Wire are registered trademarks of Microchip Technology Incorporated in the U.S.A.

Adjacent Key Suppression, AKS, Analog-for-the-Digital Age, Any Capacitor, AnyIn, AnyOut, BodyCom, CodeGuard, CryptoAuthentication, CryptoAutomotive, CryptoCompanion, CryptoController, dsPICDEM, dsPICDEM.net, Dynamic Average Matching, DAM, ECAN, EtherGREEN, In-Circuit Serial Programming, ICSP, INICnet, Inter-Chip Connectivity, JitterBlocker, KlearNet, KlearNet logo, memBrain, Mindi, MiWi, motorBench, MPASM, MPF, MPLAB Certified logo, MPLIB, MPLINK, MultiTRAK, NetDetach, Omniscient Code Generation, PICDEM, PICDEM.net, PICkit, PICtail, PowerSmart, PureSilicon, QMatrix, REAL ICE, Ripple Blocker, SAM-ICE, Serial Quad I/O, SMART-I.S., SQT, SuperSwitcher, SuperSwitcher II, Total Endurance, TSHARC, USBCheck, VariSense, ViewSpan, WiperLock, Wireless DNA, and ZENA are trademarks of Microchip Technology Incorporated in the U.S.A. and other countries.

SQTP is a service mark of Microchip Technology Incorporated in the U.S.A.

Silicon Storage Technology is a registered trademark of Microchip Technology Inc. in other countries.

GestIC is a registered trademark of Microchip Technology Germany II GmbH & Co. KG, a subsidiary of Microchip Technology Inc., in other countries.

All other trademarks mentioned herein are property of their respective companies.

© 2019, Microchip Technology Incorporated, All Rights Reserved.

ISBN: 978-1-5224-4071-0

**QUALITY MANAGEMENT SYSTEM
CERTIFIED BY DNV
= ISO/TS 16949 =**

Microchip received ISO/TS-16949:2009 certification for its worldwide headquarters, design and wafer fabrication facilities in Chandler and Tempe, Arizona; Gresham, Oregon and design centers in California and India. The Company's quality system processes and procedures are for its PIC® MCUs and dsPIC® DSCs, KEELoq® code hopping devices, Serial EEPROMs, microperipherals, nonvolatile memory and analog products. In addition, Microchip's quality system for the design and manufacture of development systems is ISO 9001:2000 certified.

Table of Contents

Preface	5
Introduction.....	5
Document Layout	5
Conventions Used in this Guide	6
The Microchip Web Site	7
Development Systems Customer Change Notification Service	7
Customer Support	8
Document Revision History	8
 Chapter 1. Overview	
1.1 Introduction	9
1.2 References	10
1.3 Terms and Abbreviations	10
 Chapter 2. Board Details and Configuration	
2.1 Board Details	11
2.1.1 Power	11
2.1.2 Resets	11
2.1.3 Clock	11
2.1.4 Configuration	11
 Chapter 3. Using the LAN7431-EDS	
 Appendix A. LAN7431-EDS Evaluation Board	
A.1 Introduction	17
 Appendix B. Schematics	
B.1 Introduction	19
 Appendix C. Bill of Materials	
C.1 Introduction	21
 Worldwide Sales and Service	24

NOTES:

Preface

NOTICE TO CUSTOMERS

All documentation becomes dated, and this manual is no exception. Microchip tools and documentation are constantly evolving to meet customer needs, so some actual dialogs and/or tool descriptions may differ from those in this document. Please refer to our web site (www.microchip.com) to obtain the latest documentation available.

Documents are identified with a “DS” number. This number is located on the bottom of each page, in front of the page number. The numbering convention for the DS number is “DSXXXXA”, where “XXXX” is the document number and “A” is the revision level of the document.

For the most up-to-date information on development tools, see the MPLAB® IDE online help. Select the Help menu, and then Topics to open a list of available online help files.

INTRODUCTION

This chapter contains general information that will be useful to know before using the LAN7431-EDS Evaluation Board. Items discussed in this chapter include:

- [Document Layout](#)
- [Conventions Used in this Guide](#)
- [The Microchip Web Site](#)
- [Development Systems Customer Change Notification Service](#)
- [Customer Support](#)
- [Document Revision History](#)

DOCUMENT LAYOUT

This document describes how to use the LAN7431-EDS Evaluation Board as a high-performance and low-cost USB/Ethernet connectivity solution.

The manual layout is as follows:

- **Chapter 1. “Overview”** – Shows a brief description of the LAN7431-EDS Evaluation Board.
- **Chapter 2. “Board Details and Configuration”** – Includes information about the LAN7431-EDS Evaluation Board.
- **Chapter 3. “Using the LAN7431-EDS”** – Includes information on how to use the LAN7431-EDS Evaluation Board.
- **Appendix A. “LAN7431-EDS Evaluation Board”** – This appendix shows the LAN7431-EDS Evaluation Board schematic.
- **Appendix B. “Schematics”** – This appendix shows the LAN7431-EDS Evaluation Board schematic.
- **Appendix C. “Bill of Materials”** – This appendix includes the LAN7431-EDS Evaluation Board Bill of Materials (BOM).

CONVENTIONS USED IN THIS GUIDE

This manual uses the following documentation conventions:

DOCUMENTATION CONVENTIONS

Description	Represents	Examples
Arial font:		
Italic characters	Referenced books	<i>MPLAB[®] IDE User's Guide</i>
	Emphasized text	...is the <i>only</i> compiler...
Initial caps	A window	the Output window
	A dialog	the Settings dialog
	A menu selection	select Enable Programmer
Quotes	A field name in a window or dialog	"Save project before build"
Underlined, italic text with right angle bracket	A menu path	<u><i>File>Save</i></u>
Bold characters	A dialog button	Click OK
	A tab	Click the Power tab
N'Rnnnn	A number in verilog format, where N is the total number of digits, R is the radix and n is a digit.	4'b0010, 2'hF1
Text in angle brackets < >	A key on the keyboard	Press <Enter>, <F1>
Courier New font:		
Plain Courier New	Sample source code	#define START
	Filenames	autoexec.bat
	File paths	c:\mcc18\h
	Keywords	_asm, _endasm, static
	Command-line options	-Opa+, -Opa-
	Bit values	0, 1
	Constants	0xFF, 'A'
Italic Courier New	A variable argument	<i>file.o</i> , where <i>file</i> can be any valid filename
Square brackets []	Optional arguments	mcc18 [options] <i>file</i> [options]
Curly brackets and pipe character: { }	Choice of mutually exclusive arguments; an OR selection	errorlevel {0 1}
Ellipses...	Replaces repeated text	var_name [, var_name...]
	Represents code supplied by user	void main (void) { ... }

THE MICROCHIP WEB SITE

Microchip provides online support via our web site at www.microchip.com. This web site is used as a means to make files and information easily available to customers. Accessible by using your favorite Internet browser, the web site contains the following information:

- **Product Support** – Data sheets and errata, application notes and sample programs, design resources, user's guides and hardware support documents, latest software releases and archived software
- **General Technical Support** – Frequently Asked Questions (FAQs), technical support requests, online discussion groups, Microchip consultant program member listing
- **Business of Microchip** – Product selector and ordering guides, latest Microchip press releases, listing of seminars and events, listings of Microchip sales offices, distributors and factory representatives

DEVELOPMENT SYSTEMS CUSTOMER CHANGE NOTIFICATION SERVICE

Microchip's customer notification service helps keep customers current on Microchip products. Subscribers will receive e-mail notification whenever there are changes, updates, revisions or errata related to a specified product family or development tool of interest.

To register, access the Microchip web site at www.microchip.com, click on Customer Change Notification and follow the registration instructions.

The Development Systems product group categories are:

- **Compilers** – The latest information on Microchip C compilers, assemblers, linkers and other language tools. These include all MPLAB C compilers; all MPLAB assemblers (including MPASM assembler); all MPLAB linkers (including MPLINK object linker); and all MPLAB librarians (including MPLIB object librarian).
- **Emulators** – The latest information on Microchip in-circuit emulators. This includes the MPLAB REAL ICE and MPLAB ICE 2000 in-circuit emulators.
- **In-Circuit Debuggers** – The latest information on the Microchip in-circuit debuggers. This includes MPLAB ICD 3 in-circuit debuggers and PICkit 3 debug express.
- **MPLAB IDE** – The latest information on Microchip MPLAB IDE, the Windows Integrated Development Environment for development systems tools. This list is focused on the MPLAB IDE, MPLAB IDE Project Manager, MPLAB Editor and MPLAB SIM simulator, as well as general editing and debugging features.
- **Programmers** – The latest information on Microchip programmers. These include production programmers such as MPLAB REAL ICE in-circuit emulator, MPLAB ICD 3 in-circuit debugger and MPLAB PM3 device programmers. Also included are nonproduction development programmers such as PICSTART Plus and PIC-kit 2 and 3.

CUSTOMER SUPPORT

Users of Microchip products can receive assistance through several channels:

- Distributor or Representative
- Local Sales Office
- Field Application Engineer (FAE)
- Technical Support

Customers should contact their distributor, representative or field application engineer (FAE) for support. Local sales offices are also available to help customers. A listing of sales offices and locations is included in the back of this document.

Technical support is available through the web site at:

<http://www.microchip.com/support>

DOCUMENT REVISION HISTORY

Revisions	Section/Figure/Entry	Correction
DS50002842A (01-18-19)	Initial release	

Chapter 1. Overview

1.1 INTRODUCTION

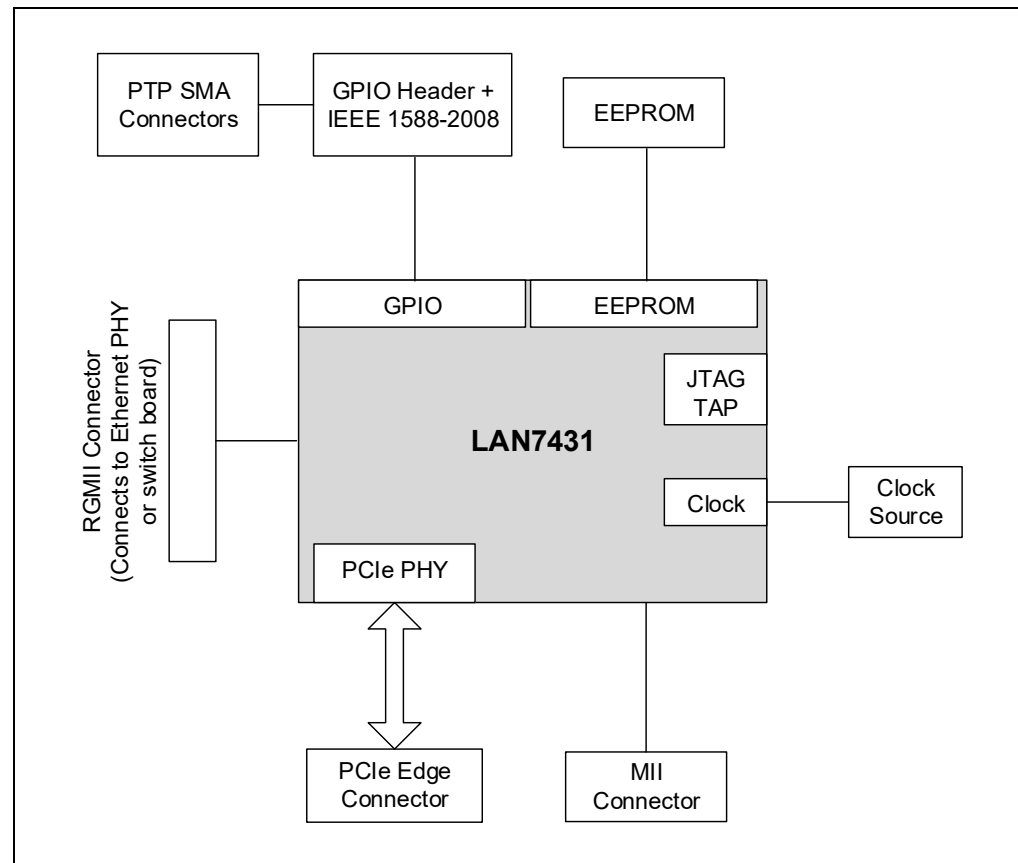
The LAN7431-EDS Evaluation Board features LAN7431, PCIe to Gigabit Ethernet bridge device. LAN7431 has an integrated 10/100/1000 Mbps Ethernet MAC, PCIe PHY, OTP memory, EEPROM controller, clock/reset/power management functions, PCIe endpoint controller, DMA controller and JTAG TAP. The device supports IEEE 802.3az Energy Efficient Ethernet (EEE) and advanced power management features, which make this device highly suitable for industrial as well as automotive application areas.

This evaluation board is meant to be used as the Ethernet Development System (EDS) that is connected to an Ethernet PHY or an Ethernet switch board. It can be easily connected to the PCIe slot of a PC to evaluate the LAN7431 features.

The scope of this document is to describe the LAN7431-EDS evaluation board setup and the corresponding jumper configuration.

A simplified block diagram of the board is shown in [Figure 1-1](#).

FIGURE 1-1: LAN7431-EDS BLOCK DIAGRAM



1.2 REFERENCES

Concepts and material available in the following documents will be helpful when reading this document. Visit www.microchip.com for the latest documentation.

- *LAN7431 Data Sheet*
- *LAN7431-EDS Schematic*

1.3 TERMS AND ABBREVIATIONS

- EDS - Ethernet Development System
- EEE - Energy Efficient Ethernet
- EVB - Evaluation Board
- GND - Ground
- PHY - Physical Transceiver
- PTP - Point to Point
- SMA Connector - Sub-Miniature version A Connector

Chapter 2. Board Details and Configuration

2.1 BOARD DETAILS

This section includes the following LAN7431-EDS board details:

- [Power](#)
- [Resets](#)
- [Clock](#)
- [Configuration](#)

2.1.1 Power

The board receives 3.3V supply through the PCIe interface. An internal 2.5V voltage regulator supplies power to the 2.5V tolerant supply pins such as the AVDDH_1 and VPH pins. The VDD12_SW_OUT pin supplies 1.2V to three VDD12CORE, VP, and VPTX pins. An on-board power scheme can supply 3.3V to LAN7431 and other devices through the auxiliary pin of the PCIe interface.

2.1.2 Resets

Jumper J8 is required to be populated if the reset function is required for the board.

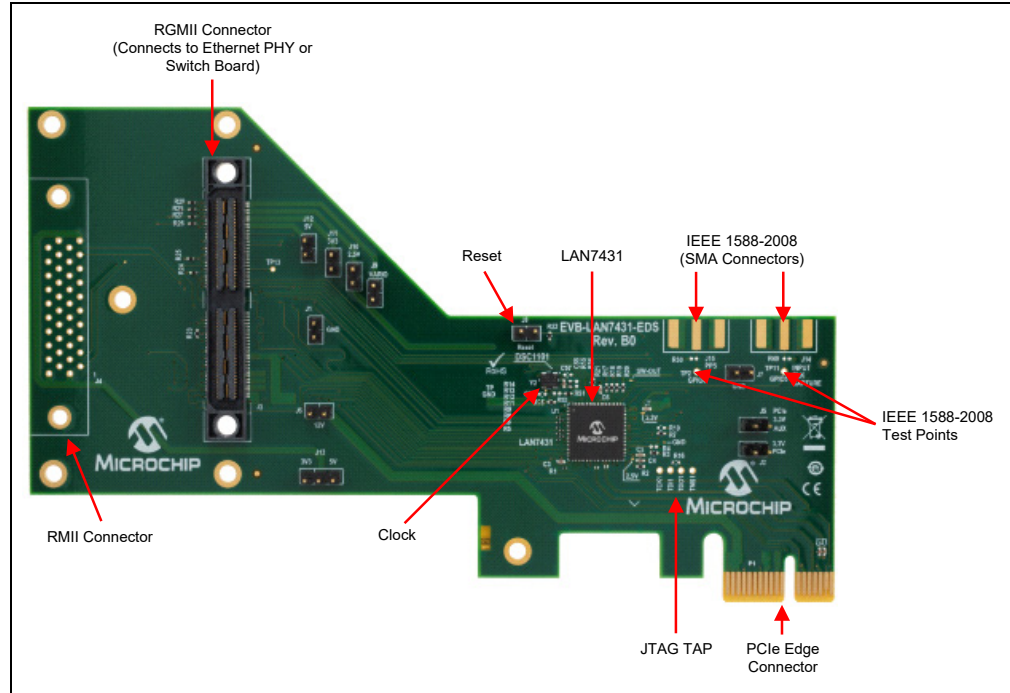
2.1.3 Clock

The evaluation board utilizes an external 25 MHz crystal oscillator.

2.1.4 Configuration

[Figure 2-1](#) describes the board features and configuration settings.

FIGURE 2-1: LAN7431-EDS TOP VIEW WITH CALLOUTS



2.1.4.1 JUMPER SETTINGS

Table 2-1 and Table 2-2 describe the two-pin jumper and the three-pin settings, respectively. The default configuration is shown in bold.

TABLE 2-1: TWO-PIN JUMPERS

Jumper	Label	Description	Open	Close
J2	3.3V PCIe	Provides 3.3V supply to the board	No supply voltage to the board	(Default) Board receives 3.3V supply
J5	PCle 3.3V Aux	Provides auxiliary power supply (3.3V) to the board, in case of 3.3V failure	Auxiliary power will not be supplied	(Default) Board supplies 3.3V auxiliary
J6	12V	Enables 12V to a PHY or a switch if it is required to do so	(Default) Does not supply 12V	Supplies 12V
J8	Reset	Enables reset to LAN7431 device	(Default) LAN7431 operates in normal mode	LAN7431 resets
J9	VARIO	Variable I/O power supply	(Default) Supplies 3.3V to LAN7431	Supplies variable power supply to LAN7431
J10	2.5V	Supplies 2.5V to external PHY or switch board	(Default) Does not supply 2.5V to the external board	Supplies 2.5V to the external board
J11	3V3	Supplies 3.3 V to external PHY or switch board	Does not supply 3.3V to the external board	(Default) Supplies 3.3V to the external board
J12	5V	Supplies 5V to external PHY or switch board	Does not supply 5V to the external board	(Default) Supplies 5V to the external board

Board Details and Configuration

TABLE 2-2: THREE-PIN JUMPERS

Jumper	Label	Description	Position 1 (3V3)	Position 2
J13	3V3/5V	Supplies either 3.3V or 5V to the external PHY connected on the RMIIC connector (J4)	Supplies 3.3V to the external PHY on the RMIIC connector	Supplies 5V to the external PHY on the RMIIC connector

2.1.4.2 HEADERS AND CONNECTORS

Table 2-3 describes the functions of the headers on the board.

TABLE 2-3: HEADERS AND CONNECTORS

Header	Label	Description
J1	GND	These pins can be used as ground reference.
J7	GND	These pins can be used as ground reference.
J3	—	J3 is used to connect an external PHY or switch board to LAN7431-EDS.
J4	—	J4 is for the RMIIC interface. It is used to connect an external PHY board to LAN7431-EDS.
JTAG TAP	TCK1/TDI1/ TDO1/TMS1	Signals to enable fly-wiring of JTAG TAP from LAN7431 to the PCIe connector. When using the TAP, remove R16.

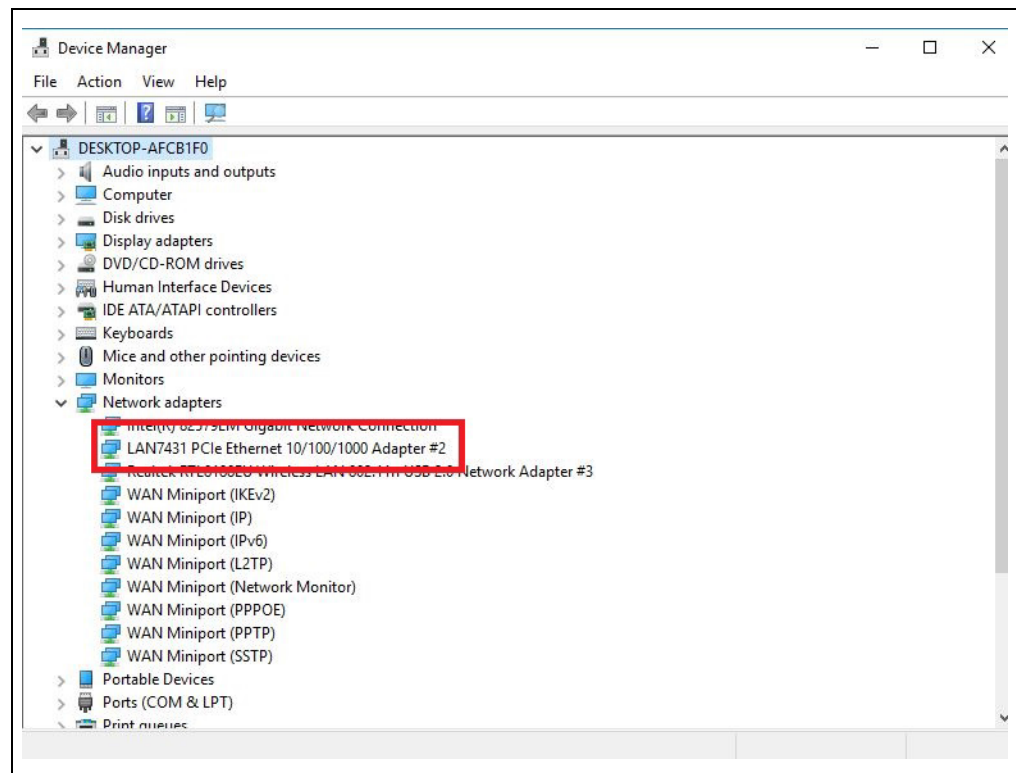
NOTES:

Chapter 3. Using the LAN7431-EDS

The LAN7431-EDS board is connected to a PCIe slot of a PC. The LAN7431 device supports Windows 10 and Linux operating system. The drivers are provided on the LAN7431 device's product page for both operating systems. A 'readme' file is also provided with the drivers, which describes the driver installation process in detail.

Once the drivers are installed correctly for Windows 10, for example, the board can be detected in Device Manager as shown in [Figure 3-1](#).

FIGURE 3-1: LAN7431 DETECTED IN DEVICE MANAGER



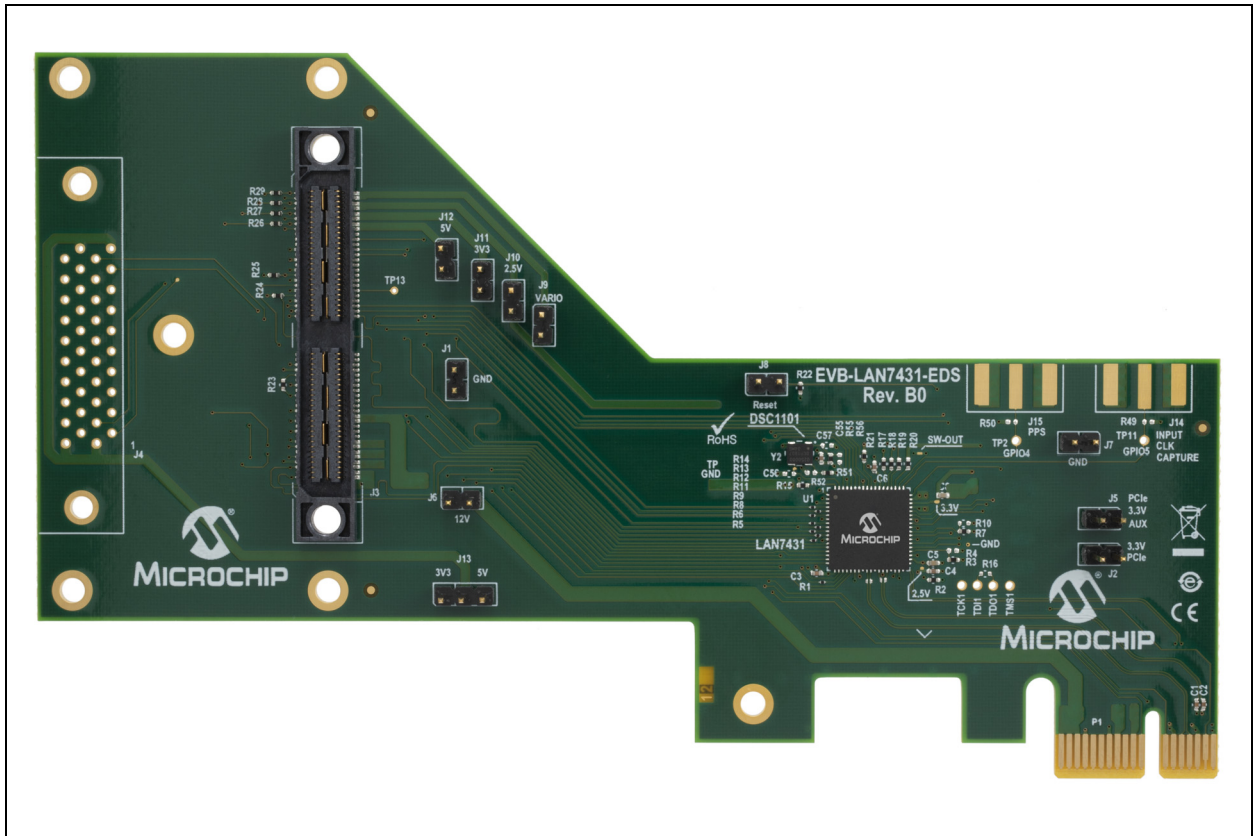
Once the PC detects the LAN7431 board correctly, the PC can then be connected to the Internet using an Ethernet cable to test the board.

NOTES:

Appendix A. LAN7431-EDS Evaluation Board

A.1 INTRODUCTION

This appendix shows the LAN7431-EDS Evaluation Board.

FIGURE A-1: LAN7431-EDS EVALUATION BOARD

NOTES:

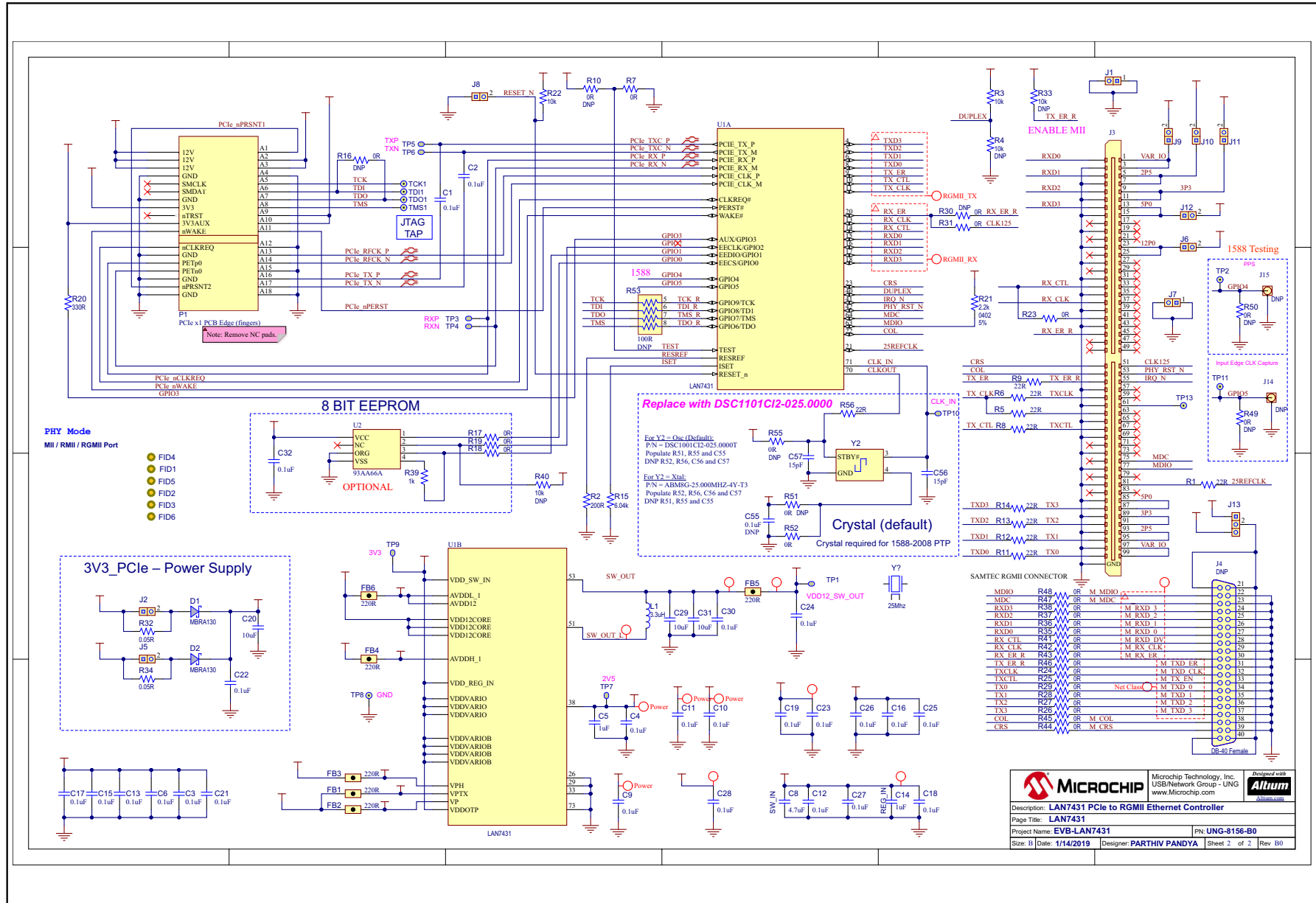


Appendix B. Schematics

B.1 INTRODUCTION

This appendix shows the LAN7431-EDS Evaluation Board schematics.

FIGURE B-1: LAN7431-EDS EVALUATION BOARD SCHEMATICS



MICROCHIP Microchip Technology, Inc. USB/Network Group - UNG www.Microchip.com

Description: LAN7431 PCIe to RGMII Ethernet Controller

Page Title: LAN7431

Project Name: EVB-LAN7431 P/N: UNG-8156-B0

Size: B Date: 1/14/2019 Designer: PARTHIV PANDYA Sheet 2 of 2 Rev B0



Appendix C. Bill of Materials

C.1 INTRODUCTION

This appendix includes the LAN7431-EDS Bill of Materials (BOM).

TABLE C-1: LAN7431-EDS BILL OF MATERIALS

Item	Qty	Reference	Description	Populated	Manufacturer	Manufacturer Part Number
1	25	C1, C2, C3, C4, C6, C9, C10, C11, C12, C13, C15, C16, C17, C18, C19, C21, C22, C23, C24, C25, C26, C27, C30, C32, C55	CAP CER 0.1uF 50V 10% X7R SMD 0402	YES	TDK Corporation	C1005X7R1H104K050BB
2	2	C5, C14	CAP CER 1uF 35V 10% X5R SMD 0402	YES	Murata Electronics North America	GRM155R6YA105KE11D
3	1	C8	CAP CER 4.7uF 6.3V 20% X5R SMD 0402	YES	Murata	GRM155R60J475ME47D
4	3	C20, C29, C31	CAP CER 10UF 25V 20% X5R SMD 0603	YES	Murata Electronics North America	GRM188R61E106MA73D
5	1	C28	CAP CER 0.1uF 16V 10% X7R SMD 0402	YES	Murata	GRM155R71C104KA88D
6	2	D1, D2	DIO SCTKY MBRA130LT3G 410mV 1A 30V SMD DO-214AC SMA	YES	ON Semiconductor	MBRA130LT3G
7	5	FB1, FB2, FB3, FB5, FB6	FERRITE 500mA 220R SMD 0603	YES	Murata	BLM18AG221SN1D
8	1	FB4	FERRITE 220R@100MHz 1.4A SMD 0603	YES	Murata Electronics North America	BLM18PG221SN1D
9	10	J1, J2, J5, J6, J7, J8, J9, J10, J11, J12	CON HDR-2.54 Male 1x2 Gold 5.84MH TH VERT	YES	FCI	77311-118-02LF
10	1	J3	CON STRIP High Speed Stacker 6.36mm Female 2x50 SMD VERT	YES	Samtec Inc	QSS-050-01-L-D-A-GP
11	1	J13	CON HDR-2.54 Male 1x3 Gold 5.84MH TH VERT	YES	FCI	68000-103HLF
12	1	L1	INDUCTOR 3.3UH 2.25A 20% SMD L3W2.5H1.5	YES	TDK Corporation	VLF302515MT-3R3M
13	9	R1, R5, R6, R8, R9, R11, R12, R13, R14	RES TKF 22R 1% 1/20W SMD 0201	YES	Panasonic Electronic Components	ERJ-1GEF22R0C
14	1	R2	RES TKF 200R 1% 1/10W SMD 0402	YES	Panasonic	ERJ-2RKF2000X
15	2	R3, R22	RES TKF 10k 5% 1/16W SMD 0402	YES	Vishay	CRCW040210K0JNED
16	26	R7, R17, R18, R19, R23, R24, R25, R26, R27, R28, R29, R31, R35, R36, R37, R38, R41, R42, R43, R44, R45, R46, R47, R48, R51, R55	RES TKF 0R 1/16W SMD 0402	YES	Yageo	RC0402JR-070RL
17	1	R15	RES TKF 6.04k 1% 1/16W SMD 0402	YES	Rohm Semiconductor	MCR01MRTF6041
18	1	R20	RES TKF 330R 5% 1/10W SMD 0402	YES	Panasonic Electronic Components	ERJ-2GEJ331X
19	1	R21	RES TKF 2.2k 5% 1/16W SMD 0402	YES	Vishay Dale	CRCW04022K20JNED
20	2	R32, R34	RES TKF 0.05R 1% 1/4W SMD 0805	YES	Bourns Inc.	CRM0805-FW-R050ELF
21	1	R39	RES TKF 1k 1% 1/10W SMD 0402	YES	Panasonic	ERJ-2RKF1001X
22	1	U1	MCHP INTERFACE GIGe ETHERNET LAN7431 SQFN-72	YES	Microchip Technology	LAN7431/YXX
23	1	U2	MCHP MEMORY SERIAL EEPROM 4k Microwire 93AA66A-I/SN SOIC-8	YES	Microchip	93AA66A-I/SN
24	1	Y2	MCHP CLOCK OSCILLATOR SINGLE 25MHZ DSC1001-CI2-025.0000T CDFN-4	NO	Microchip Technology	DSC1001CI2-025.0000T
25	1	Y2	CRYSTAL 25MHz 10pF SMD ABM8G	YES	Abracon LLC	ABM8G-25.000MHZ-4Y-T3
26	2	C56, C57	CAP CER 15pF 50V 5% NP0 SMD 0402	NO	Murata	GRM1555C1H150JA01D
27	1	J4	CON DSUB DB-40 FEMALE TH R/A	NO	TE Connectivity AMP Connectors	5787170-4

TABLE C-1: LAN7431-EDS BILL OF MATERIALS (CONTINUED)

Item	Qty	Reference	Description	Populated	Manufacturer	Manufacturer Part Number
28	2	J14, J15	CON RF Coaxial SMA Female 2P EDGE MNT 142-0701-801	NO	Cinch Connectivity Solutions Johnson	142-0701-801
29	3	R4, R33, R40	RES TKF 10k 5% 1/16W SMD 0402	NO	Vishay	CRCW040210K0JNED
30	6	R10, R16, R30, R49, R50, R52	RES TKF 0R 1/16W SMD 0402	NO	Yageo	RC0402JR-070RL
31	1	R53	RES NET TKF 100R 5% 100mW SMD 0805x4	NO	CTS Resistor Products	743C083101JP
32	1	R56	RES TKF 22R 1% 1/20W SMD 0402	NO	Panasonic Electronic Components	ERJ-2RKF22R0X



MICROCHIP

Worldwide Sales and Service

AMERICAS

Corporate Office
2355 West Chandler Blvd.
Chandler, AZ 85224-6199
Tel: 480-792-7200
Fax: 480-792-7277
Technical Support:
<http://www.microchip.com/support>
Web Address:
www.microchip.com

Atlanta

Duluth, GA
Tel: 678-957-9614
Fax: 678-957-1455

Austin, TX

Tel: 512-257-3370

Boston

Westborough, MA
Tel: 774-760-0087
Fax: 774-760-0088

Chicago

Itasca, IL
Tel: 630-285-0071
Fax: 630-285-0075

Dallas

Addison, TX
Tel: 972-818-7423
Fax: 972-818-2924

Detroit

Novi, MI
Tel: 248-848-4000

Houston, TX

Tel: 281-894-5983

Indianapolis

Noblesville, IN
Tel: 317-773-8323
Fax: 317-773-5453
Tel: 317-536-2380

Los Angeles

Mission Viejo, CA
Tel: 949-462-9523
Fax: 949-462-9608
Tel: 951-273-7800

Raleigh, NC

Tel: 919-844-7510

New York, NY

Tel: 631-435-6000

San Jose, CA

Tel: 408-735-9110
Tel: 408-436-4270

Canada - Toronto

Tel: 905-695-1980
Fax: 905-695-2078

ASIA/PACIFIC

Australia - Sydney
Tel: 61-2-9868-6733

China - Beijing
Tel: 86-10-8569-7000

China - Chengdu
Tel: 86-28-8665-5511

China - Chongqing
Tel: 86-23-8980-9588

China - Dongguan
Tel: 86-769-8702-9880

China - Guangzhou
Tel: 86-20-8755-8029

China - Hangzhou
Tel: 86-571-8792-8115

China - Hong Kong SAR
Tel: 852-2943-5100

China - Nanjing
Tel: 86-25-8473-2460

China - Qingdao
Tel: 86-532-8502-7355

China - Shanghai
Tel: 86-21-3326-8000

China - Shenyang
Tel: 86-24-2334-2829

China - Shenzhen
Tel: 86-755-8864-2200

China - Suzhou
Tel: 86-186-6233-1526

China - Wuhan
Tel: 86-27-5980-5300

China - Xian
Tel: 86-29-8833-7252

China - Xiamen
Tel: 86-592-2388138

China - Zhuhai
Tel: 86-756-3210040

ASIA/PACIFIC

India - Bangalore
Tel: 91-80-3090-4444

India - New Delhi
Tel: 91-11-4160-8631

India - Pune
Tel: 91-20-4121-0141

Japan - Osaka
Tel: 81-6-6152-7160

Japan - Tokyo
Tel: 81-3-6880-3770

Korea - Daegu
Tel: 82-53-744-4301

Korea - Seoul
Tel: 82-2-554-7200

Malaysia - Kuala Lumpur
Tel: 60-3-7651-7906

Malaysia - Penang
Tel: 60-4-227-8870

Philippines - Manila
Tel: 63-2-634-9065

Singapore
Tel: 65-6334-8870

Taiwan - Hsin Chu
Tel: 886-3-577-8366

Taiwan - Kaohsiung
Tel: 886-7-213-7830

Taiwan - Taipei
Tel: 886-2-2508-8600

Thailand - Bangkok
Tel: 66-2-694-1351

Vietnam - Ho Chi Minh
Tel: 84-28-5448-2100

EUROPE

Austria - Wels
Tel: 43-7242-2244-39
Fax: 43-7242-2244-393

Denmark - Copenhagen
Tel: 45-4450-2828
Fax: 45-4485-2829

Finland - Espoo
Tel: 358-9-4520-820

France - Paris
Tel: 33-1-69-53-63-20
Fax: 33-1-69-30-90-79

Germany - Garching
Tel: 49-8931-9700

Germany - Haan
Tel: 49-2129-3766400

Germany - Heilbronn
Tel: 49-7131-67-3636

Germany - Karlsruhe
Tel: 49-721-625370

Germany - Munich
Tel: 49-89-627-144-0
Fax: 49-89-627-144-44

Germany - Rosenheim
Tel: 49-8031-354-560

Israel - Ra'anana
Tel: 972-9-744-7705

Italy - Milan
Tel: 39-0331-742611
Fax: 39-0331-466781

Italy - Padova
Tel: 39-049-7625286

Netherlands - Drunen
Tel: 31-416-690399
Fax: 31-416-690340

Norway - Trondheim
Tel: 47-7288-4388

Poland - Warsaw
Tel: 48-22-3325737

Romania - Bucharest
Tel: 40-21-407-87-50

Spain - Madrid
Tel: 34-91-708-08-90
Fax: 34-91-708-08-91

Sweden - Gothenberg
Tel: 46-31-704-60-40

Sweden - Stockholm
Tel: 46-8-5090-4654

UK - Wokingham
Tel: 44-118-921-5800
Fax: 44-118-921-5820