

Evaluating the [ADN4654/ADN4655/ADN4656](#) 5 kV RMS, Dual-Channel, LVDS Gigabit Isolators

FEATURES

- Isolated ground planes (logic side and bus side)
- Convenient connections through SMA terminals
 - 3.3 V or 2.5 V power on Side 1 (V_{IN1} and V_{DD1}) and Side 2 (V_{IN2} and V_{DD2})
 - Ground on Side 1 (GND_1) and ground on Side 2 (GND_2)
 - LVDS input signals: D_{IN1+} , D_{IN1-} , D_{IN2+} , D_{IN2-}
 - LVDS output signals: D_{OUT1+} , D_{OUT1-} , D_{OUT2+} , D_{OUT2-}
- Jumper-selectable power supply of 3.3 V or 2.5 V
- Termination resistors on all LVDS drivers and receivers

EVALUATION KIT CONTENTS

EVAL-ADN4654EB1Z, EVAL-ADN4655EB1Z, or
EVAL-ADN4656EB1Z

DOCUMENTS NEEDED

[ADN4654/ADN4655/ADN4656](#) data sheet

EQUIPMENT NEEDED

Signal generator
Oscilloscope

EVALUATION BOARD PHOTOGRAPH

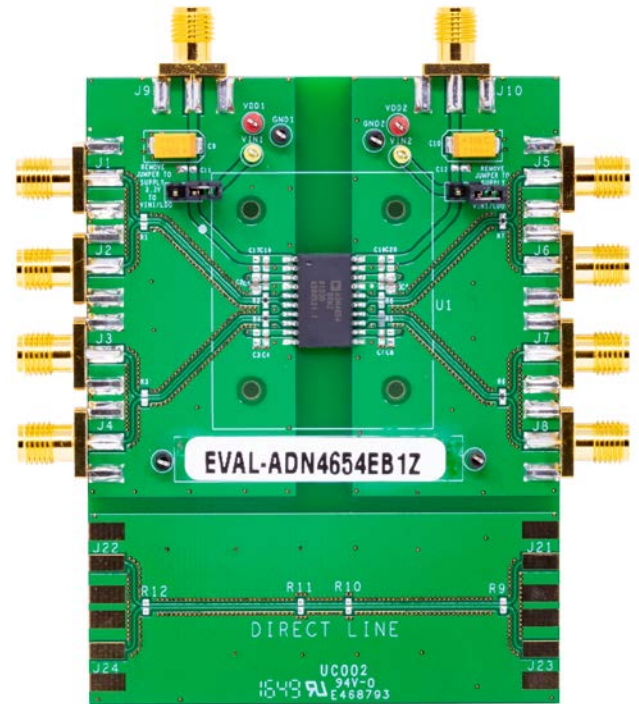


Figure 1.

GENERAL DESCRIPTION

The EVAL-ADN4654EB1Z, the EVAL-ADN4655EB1Z, and the EVAL-ADN4656EB1Z allow quick and easy evaluation of the [ADN4654/ADN4655/ADN4656](#) low voltage, differential signaling (LVDS) isolators without the need for external components. The [ADN4654/ADN4655/ADN4656](#) employ Analog Devices, Inc., *iCoupler*® technology to combine a 2-channel isolator with an LVDS receiver and driver into a single, 20-lead wide body SOIC package. The devices are capable of running at data rates of up to 1.1 Gbps with low jitter.

The evaluation boards have separate ground and power planes for each side of the isolator. This separation enables the evaluation of the [ADN4654/ADN4655/ADN4656](#) with galvanic isolation

between both sides of the device. Jumper-selectable power supplies at 3.3 V or 2.5 V are required on each side of the [ADN4654/ADN4655/ADN4656](#) device. Using an on-chip, low dropout (LDO) regulator, 2.5 V can be provided from an external 3.3 V power supply.

Complete information about the [ADN4654/ADN4655/ADN4656](#) is available in the [ADN4654/ADN4655/ADN4656](#) data sheet. Consult this data sheet in conjunction with this user guide when using the evaluation boards.

TABLE OF CONTENTS

Features	1	Evaluation Board Configuration	3
Evaluation Kit Contents.....	1	Setting Up the Evaluation Board.....	3
Documents Needed.....	1	Evaluation Board Schematics and Artwork.....	5
Equipment Needed.....	1	Ordering Information.....	10
Evaluation Board Photograph.....	1	Bill of Materials.....	10
General Description	1		
Revision History	2		

REVISION HISTORY

6/2019—Rev. A to Rev. B

Added ADN4656 and EVAL-ADN4656EB1Z.....	Universal
Changes to Setting Up the Evaluation Board Section	3
Changes to Table 3.....	4
Changes to Figure 5.....	5
Changes to Figure 6.....	6
Added Figure 7; Renumbered Sequentially	6
Added Table 6; Renumbered Sequentially	10

1/2019—Rev. 0 to Rev. A

Added ADN4655 and EVAL-ADN4655EB1Z.....	Universal
Changes to Figure 1	1
Changes to Setting Up the Evaluation Board Section	3
Changes to Table 2 Title.....	4
Added Table 3; Renumbered Sequentially	4
Added Figure 6; Renumbered Sequentially	6
Changes to Table 4 Title	9
Added Table 5	9

11/2018—Revision 0: Initial Version

EVALUATION BOARD CONFIGURATION

SETTING UP THE EVALUATION BOARD

On the EVAL-ADN4654EB1Z/EVAL-ADN4655EB1Z/EVAL-ADN4656EB1Z, power supplies are configured using Jumper P4 and Jumper P7 (see Table 1) and connected to the J9 and J10 subminiature Type A (SMA) connectors (see Table 2). A 3.3 V power supply can be applied to Side 1 and/or Side 2 of the [ADN4654/ADN4655/ADN4656](#) by removing Jumper P4 (Side 1) and Jumper P7 (Side 2). If a 2.5 V supply is connected to the board, the relevant jumper must be inserted (P4 for Side 1 and P7 for Side 2). At 300 MHz with a load resistance of 100 Ω , the maximum operating current from each power supply is 80 mA.

When using a 3.3 V power supply, V_{IN1} and V_{DD1} (Pin 1 and Pin 3 on the [ADN4654/ADN4655/ADN4656](#)) are bypassed to GND_1 using 1 μF capacitors. V_{IN2} and V_{DD2} (Pin 20 and Pin 18 on the [ADN4654/ADN4655/ADN4656](#)) are bypassed to GND_2 using 1 μF capacitors. When using a 2.5 V power supply, V_{IN1} or V_{IN2} is connected directly to V_{DD1} or V_{DD2} by shorting Jumper P4 or Jumper P7, respectively. Both V_{DD1} pins (Pin 3 and Pin 9) are also bypassed to GND_1 with 0.1 μF capacitors. Both V_{DD2} pins (Pin 12 and Pin 18) are also bypassed to GND_2 with 0.1 μF capacitors.

An example operation of the EVAL-ADN4654EB1Z is shown in Figure 4 (EVAL-ADN4655EB1Z and EVAL-ADN4656EB1Z output signals are similar). SMA connectors reveal all LVDS inputs and outputs for the EVAL-ADN4654EB1Z, the EVAL-ADN4655EB1Z, and the EVAL-ADN4656EB1Z (see Table 3). To evaluate Channel 1 on the EVAL-ADN4654EB1Z or the EVAL-ADN4655EB1Z, connect a signal generator to the board using the J1 connector and J2 connector and set up a 300 MHz square wave clock with an amplitude of 350 mV and an offset of 1.2 V. Connect the oscilloscope directly to the J5 connector and J6 connector to perform timing measurements, including propagation delay, skew, and jitter. Subtract the effect of printed circuit board (PCB) traces from the connectors to the device by measuring the direct line between J22/J24 and J21/J23. Refer to Table 3 for the connectors to use to evaluate Channel 1 on the EVAL-ADN4656EB1Z.

A plot of the oscilloscope connected via the J5 connector and J6 connector is shown in Figure 2. Channel 3 (green) and Channel 4 (purple) show the J5 connector and J6 connector separately (single-ended) with the differential signal (orange). Operation of the second isolated LVDS channel with the signal generator (same input signal conditions as Channel 1) and oscilloscope connected to the appropriate connectors is shown in Table 3.



Figure 2. D_{OUT1-} and D_{OUT1+} with a 300 MHz Clock, Single-Ended and Differential



Figure 3. D_{OUT2-} and D_{OUT2+} with a 300 MHz Clock, Single-Ended and Differential

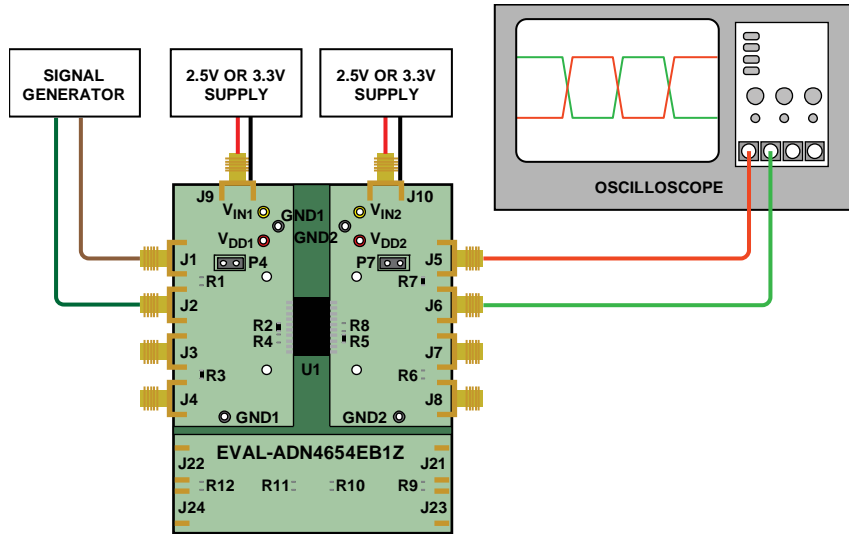


Figure 4. Basic LVDS Isolator Evaluation Board Operation for the EVAL-ADN4654EB1Z

Table 1. Jumper Configuration for EVAL-ADN4654EB1Z, EVAL-ADN4655EB1Z, and EVAL-ADN4656EB1Z

Jumper	Position	Description
P4	Open	3.3 V power supply connected to Connector J9 for V_{IN1}
	Closed	2.5 V power supply connected to Connector J9, V_{IN1} shorted to V_{DD1}
P7	Open	3.3 V power supply connected to Connector J10 for V_{IN2}
	Closed	2.5 V power supply connected to Connector J10, V_{IN2} shorted to V_{DD2}

Table 2. Connector Descriptions for EVAL-ADN4654EB1Z, EVAL-ADN4655EB1Z, and EVAL-ADN4656EB1Z

Connector	Description
Side 1	
J9	Power supply, Side 1, 3.3 V (Jumper P4 open) or 2.5 V (Jumper P4 closed)
J22	Connects to Connector J21 (test trace for calibration)
J24	Connects to Connector J23 (test trace for calibration)
Side 2	
J10	Power supply, Side 2, 3.3 V (Jumper P7 open) or 2.5 V (Jumper P7 closed)
J21	Connects to Connector J22 (test trace for calibration)
J23	Connects to Connector J24 (test trace for calibration)

Table 3. I/O Connector Descriptions for EVAL-ADN4654EB1Z, EVAL-ADN4655EB1Z, and EVAL-ADN4656EB1Z

Connector	EVAL-ADN4654EB1Z Description	EVAL-ADN4655EB1Z Description	EVAL-ADN4656EB1Z Description
J1	D_{IN1+} , noninverted LVDS input for Channel 1	D_{IN1+} , noninverted LVDS input for Channel 1	D_{OUT1+} , noninverted LVDS output for Channel 1
J2	D_{IN1-} , inverted LVDS input for Channel 1	D_{IN1-} , inverted LVDS input for Channel 1	D_{OUT1-} , inverted LVDS output for Channel 1
J3	D_{IN2+} , noninverted LVDS input for Channel 2	D_{OUT2+} , noninverted LVDS output for Channel 2	D_{IN2+} , noninverted LVDS input for Channel 2
J4	D_{IN2-} , inverted LVDS input for Channel 2	D_{OUT2-} , inverted LVDS output for Channel 2	D_{IN2-} , inverted LVDS input for Channel 2
J5	D_{OUT1+} , noninverted LVDS output for Channel 1	D_{OUT1+} , noninverted LVDS output for Channel 1	D_{IN1+} , noninverted LVDS input for Channel 1
J6	D_{OUT1-} , inverted LVDS output for Channel 1	D_{OUT1-} , inverted LVDS output for Channel 1	D_{IN1-} , inverted LVDS input for Channel 1
J7	D_{OUT2+} , noninverted LVDS output for Channel 2	D_{IN2+} , noninverted LVDS input for Channel 2	D_{OUT2+} , noninverted LVDS output for Channel 2
J8	D_{OUT2-} , inverted LVDS output for Channel 2	D_{IN2-} , inverted LVDS input for Channel 2	D_{OUT2-} , inverted LVDS output for Channel 2

EVALUATION BOARD SCHEMATICS AND ARTWORK

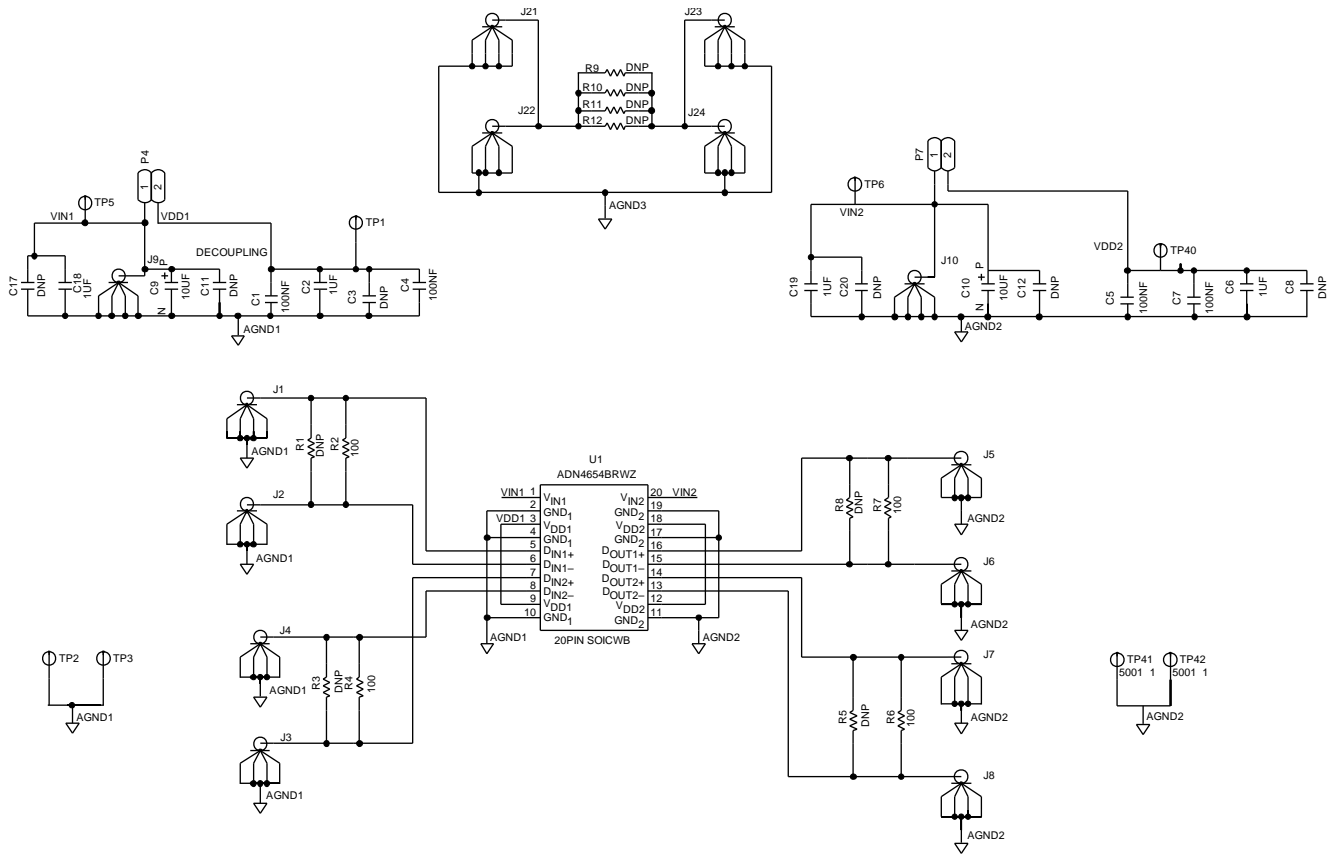


Figure 5. EVAL-ADN4654EB1Z Schematic

17014-005

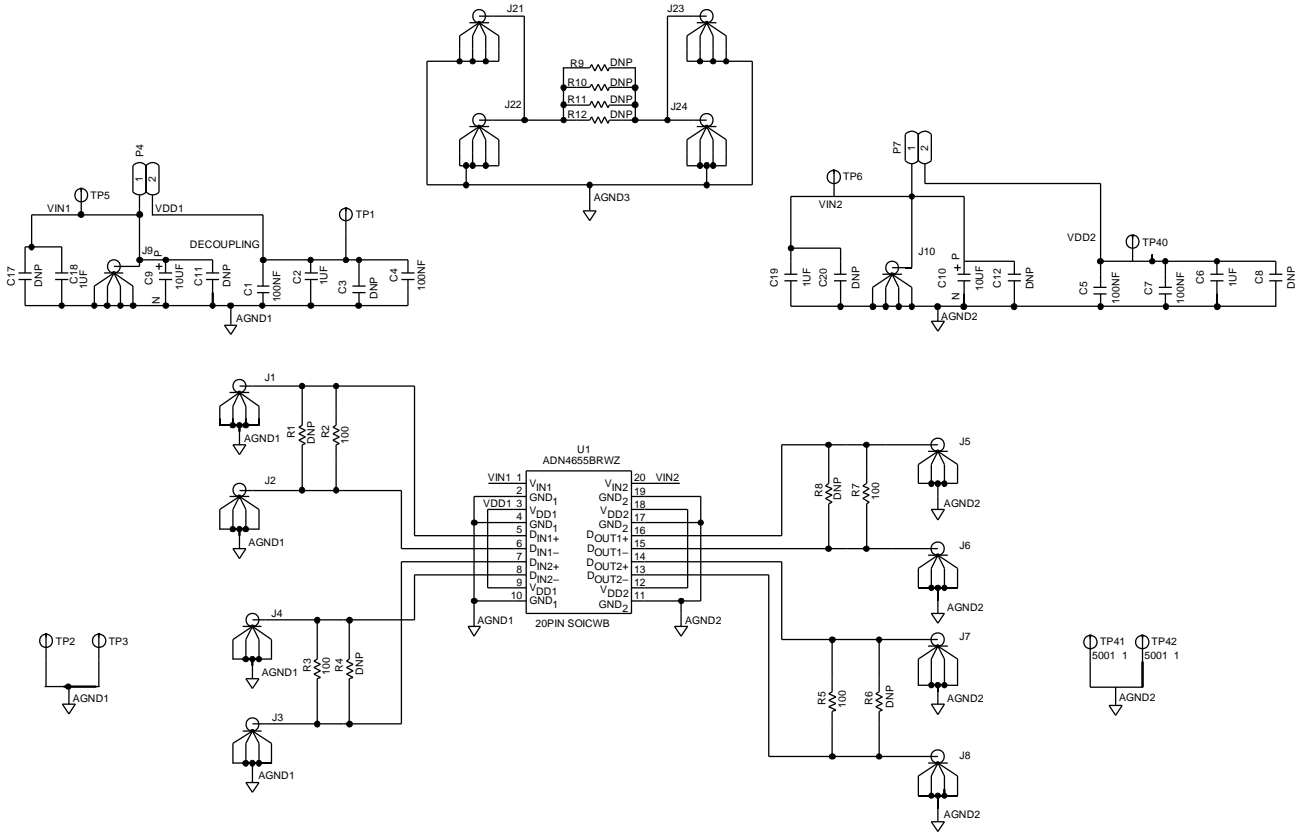


Figure 6. EVAL-ADN4655EB1Z Schematic

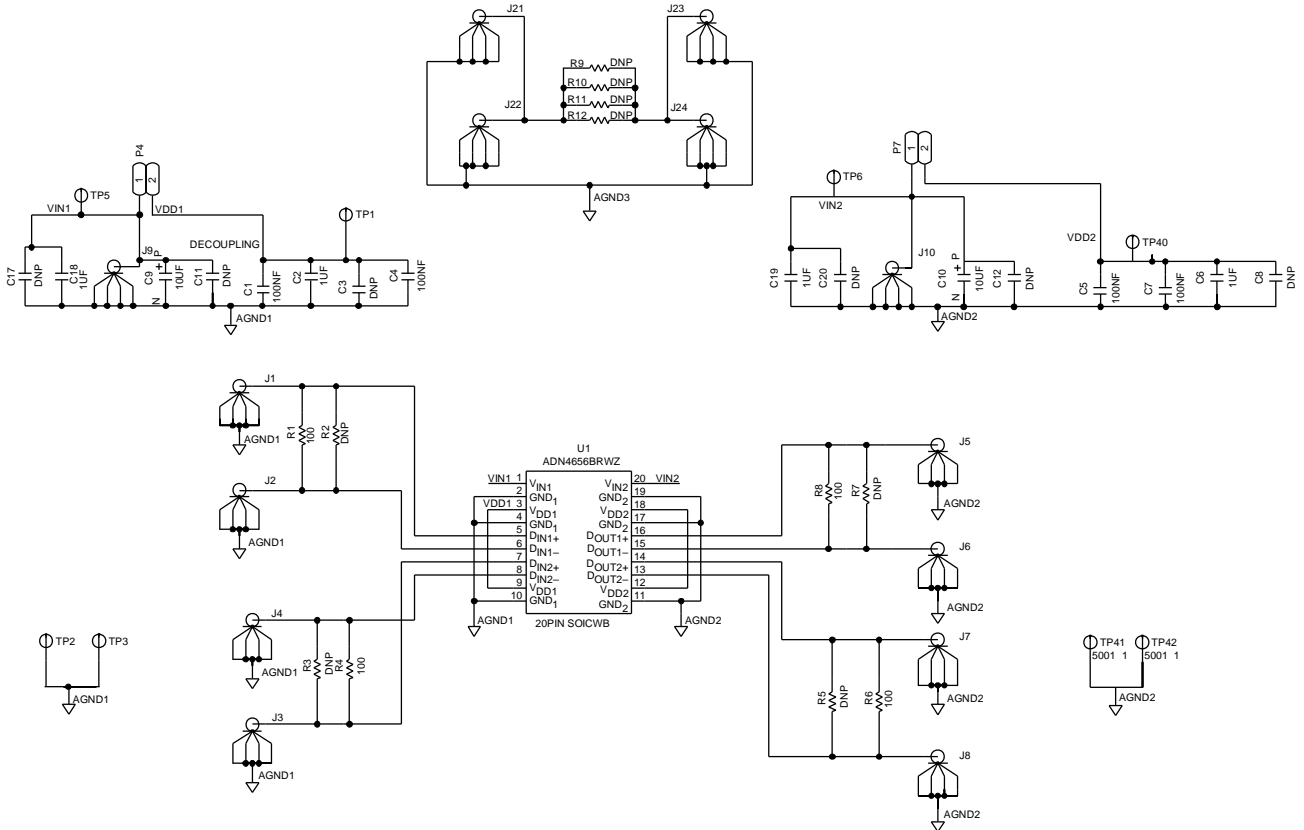


Figure 7. EVAL-ADN4656EB1Z Schematic

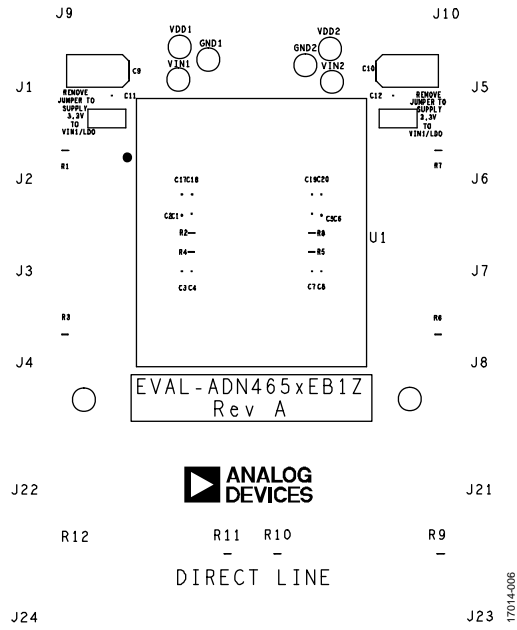


Figure 8. EVAL-ADN4654EB1Z/EVAL-ADN4655EB1Z/EVAL-ADN4656EB1Z Silkscreen

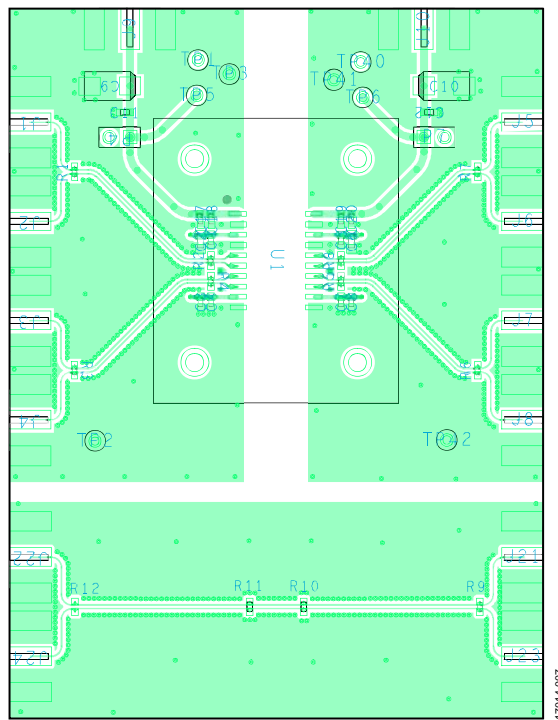


Figure 9. EVAL-ADN4654EB1Z/EVAL-ADN4655EB1Z/EVAL-ADN4656EB1Z Component Side

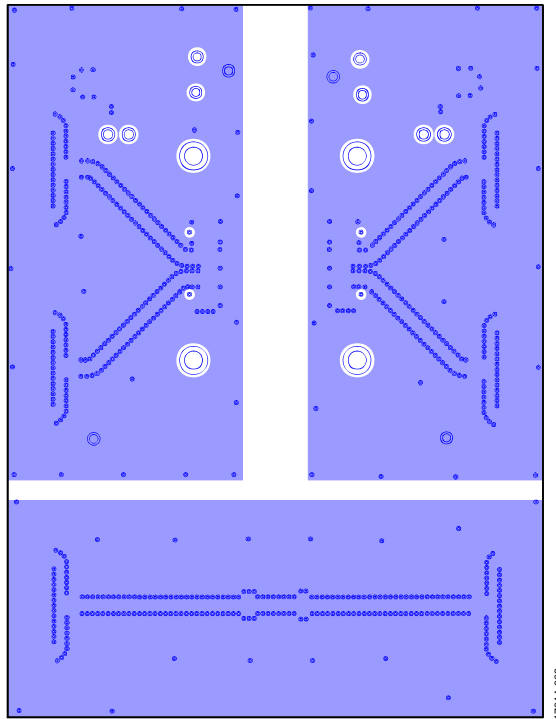


Figure 10. EVAL-ADN4654EB1Z/EVAL-ADN4655EB1Z/EVAL-ADN4656EB1Z Inner Layer 2, Ground

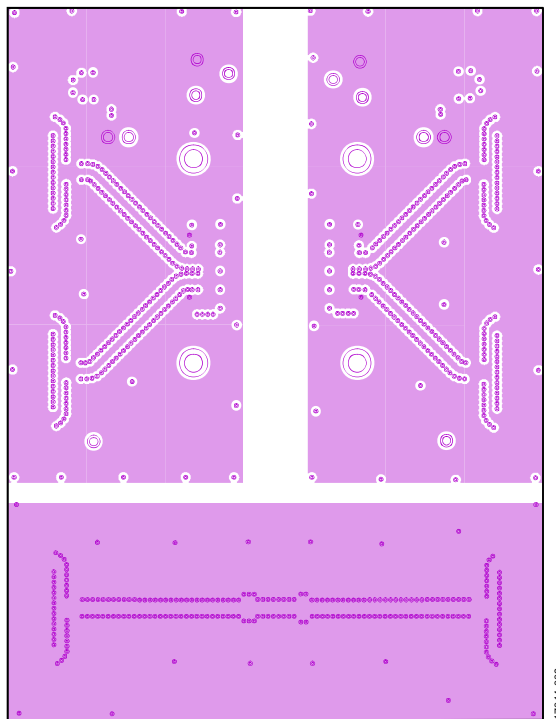


Figure 11. EVAL-ADN4654EB1Z/EVAL-ADN4655EB1Z/EVAL-ADN4656EB1Z Inner Layer 3, Power

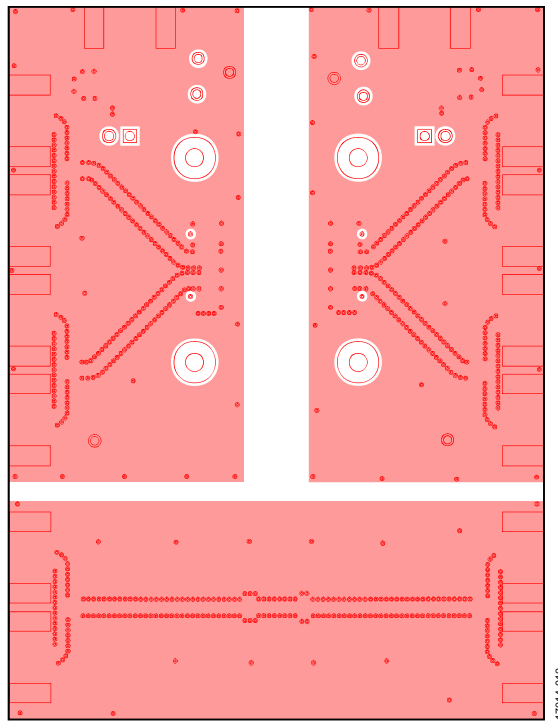


Figure 12. EVAL-ADN4654EB1Z/EVAL-ADN4655EB1Z/EVAL-ADN4656EB1Z Solder Side

ORDERING INFORMATION

BILL OF MATERIALS

Table 4. EVAL-ADN4654EB1Z Bill of Materials

Quantity	Reference Designator	Description	Manufacturer	Part Number
4	C1, C4, C5, C7	Capacitors, 100 nF, 0402	Multicomp	MC0402X104K100CT
2	C2, C6	Capacitors, 1 μ F, 0603	Multicomp	MC0603X105K100CT
6	C3, C8, C11, C12, C17, C20	Capacitors, 0402	Not fitted	Not applicable
2	C9, C10	Capacitors, tantalum, 10 μ F, Case C	AVX	TAJC106K016RNJ
2	C18, C19	Capacitors, 1 μ F, 0402	Multicomp	MC0402X105K6R3CT
10	J1 to J10	Connectors, SMA, edge	Johnson	142-0701-801
4	J21 to J24	Connectors, SMA, edge	Not fitted	Not applicable
2	P4, P7	2-pin, header and jumper	TE Connectivity	826926-2 and 3M/969102-0000-DA
8	R1, R3, R5, R8 to R12	Resistors, 0402	Not fitted	Not applicable
4	R2, R4, R6, R7	Resistors, 100 Ω , 0402	Multicomp	MCMR04X1000FTL
2	TP1, TP40	Test points, yellow	Vero	20-313140
4	TP2, TP3, TP41, TP42	Test points, black	Vero	20-2137
2	TP5, TP6	Test points, red	Vero	20-313137
1	U1	ADN4654 LVDS gigabit isolator	Analog Devices	ADN4654BRWZ

Table 5. EVAL-ADN4655EB1Z Bill of Materials

Quantity	Reference Designator	Description	Manufacturer	Part Number
4	C1, C4, C5, C7	Capacitors, 100 nF, 0402	Multicomp	MC0402X104K100CT
2	C2, C6	Capacitors, 1 μ F, 0603	Multicomp	MC0603X105K100CT
6	C3, C8, C11, C12, C17, C20	Capacitors, 0402	Not fitted	Not applicable
2	C9, C10	Capacitors, tantalum, 10 μ F, Case C	AVX	TAJC106K016RNJ
2	C18, C19	Capacitors, 1 μ F, 0402	Multicomp	MC0402X105K6R3CT
10	J1 to J10	Connectors, SMA, edge	Johnson	142-0701-801
4	J21 to J24	Connectors, SMA, edge	Not fitted	Not applicable
2	P4, P7	2-pin, header and jumper	TE Connectivity	826926-2 and 3M/969102-0000-DA
8	R1, R4, R6, R8 to R12	Resistors, 0402	Not fitted	Not applicable
4	R2, R3, R5, R7	Resistors, 100 Ω , 0402	Multicomp	MCMR04X1000FTL
2	TP1, TP40	Test points, yellow	Vero	20-313140
4	TP2, TP3, TP41, TP42	Test points, black	Vero	20-2137
2	TP5, TP6	Test points, red	Vero	20-313137
1	U1	ADN4655 LVDS gigabit isolator	Analog Devices	ADN4655BRWZ

Table 6. EVAL-ADN4656EB1Z Bill of Materials

Quantity	Reference Designator	Description	Manufacturer	Part Number
4	C1, C4, C5, C7	Capacitors, 100 nF, 0402	Multicomp	MC0402X104K100CT
2	C2, C6	Capacitors, 1 μ F, 0603	Multicomp	MC0603X105K100CT
6	C3, C8, C11, C12, C17, C20	Capacitors, 0402	Not fitted	Not applicable
2	C9, C10	Capacitors, tantalum, 10 μ F, Case C	AVX	TAJC106K016RNJ
2	C18, C19	Capacitors, 1 μ F, 0402	Multicomp	MC0402X105K6R3CT
10	J1 to J10	Connectors, SMA, edge	Johnson	142-0701-801
4	J21 to J24	Connectors, SMA, edge	Not fitted	Not applicable
2	P4, P7	2-pin, header and jumper	TE Connectivity	826926-2 and 3M/969102-0000-DA
8	R2, R3, R5, R7, R9 to R12	Resistors, 0402	Not fitted	Not applicable
4	R1, R4, R6, R8	Resistors, 100 Ω , 0402	Multicomp	MCMR04X1000FTL
2	TP1, TP40	Test points, yellow	Vero	20-313140
4	TP2, TP3, TP41, TP42	Test points, black	Vero	20-2137
2	TP5, TP6	Test points, red	Vero	20-313137
1	U1	ADN4656 LVDS gigabit isolator	Analog Devices	ADN4656BRWZ

NOTES



ESD Caution

ESD (electrostatic discharge) sensitive device. Charged devices and circuit boards can discharge without detection. Although this product features patented or proprietary protection circuitry, damage may occur on devices subjected to high energy ESD. Therefore, proper ESD precautions should be taken to avoid performance degradation or loss of functionality.

Legal Terms and Conditions

By using the evaluation board discussed herein (together with any tools, components documentation or support materials, the "Evaluation Board"), you are agreeing to be bound by the terms and conditions set forth below ("Agreement") unless you have purchased the Evaluation Board, in which case the Analog Devices Standard Terms and Conditions of Sale shall govern. Do not use the Evaluation Board until you have read and agreed to the Agreement. Your use of the Evaluation Board shall signify your acceptance of the Agreement. This Agreement is made by and between you ("Customer") and Analog Devices, Inc. ("ADI"), with its principal place of business at One Technology Way, Norwood, MA 02062, USA. Subject to the terms and conditions of the Agreement, ADI hereby grants to Customer a free, limited, personal, temporary, non-exclusive, non-sublicensable, non-transferable license to use the Evaluation Board FOR EVALUATION PURPOSES ONLY. Customer understands and agrees that the Evaluation Board is provided for the sole and exclusive purpose referenced above, and agrees not to use the Evaluation Board for any other purpose. Furthermore, the license granted is expressly made subject to the following additional limitations: Customer shall not (i) rent, lease, display, sell, transfer, assign, sublicense, or distribute the Evaluation Board; and (ii) permit any Third Party to access the Evaluation Board. As used herein, the term "Third Party" includes any entity other than ADI, Customer, their employees, affiliates and in-house consultants. The Evaluation Board is NOT sold to Customer; all rights not expressly granted herein, including ownership of the Evaluation Board, are reserved by ADI. CONFIDENTIALITY. This Agreement and the Evaluation Board shall all be considered the confidential and proprietary information of ADI. Customer may not disclose or transfer any portion of the Evaluation Board to any other party for any reason. Upon discontinuation of use of the Evaluation Board or termination of this Agreement, Customer agrees to promptly return the Evaluation Board to ADI. ADDITIONAL RESTRICTIONS. Customer may not disassemble, decompile or reverse engineer chips on the Evaluation Board. Customer shall inform ADI of any occurred damages or any modifications or alterations it makes to the Evaluation Board, including but not limited to soldering or any other activity that affects the material content of the Evaluation Board. Modifications to the Evaluation Board must comply with applicable law, including but not limited to the RoHS Directive. TERMINATION. ADI may terminate this Agreement at any time upon giving written notice to Customer. Customer agrees to return to ADI the Evaluation Board at that time. LIMITATION OF LIABILITY. THE EVALUATION BOARD PROVIDED HEREUNDER IS PROVIDED "AS IS" AND ADI MAKES NO WARRANTIES OR REPRESENTATIONS OF ANY KIND WITH RESPECT TO IT. ADI SPECIFICALLY DISCLAIMS ANY REPRESENTATIONS, ENDORSEMENTS, GUARANTEES, OR WARRANTIES, EXPRESS OR IMPLIED, RELATED TO THE EVALUATION BOARD INCLUDING, BUT NOT LIMITED TO, THE IMPLIED WARRANTY OF MERCHANTABILITY, TITLE, FITNESS FOR A PARTICULAR PURPOSE OR NON-INFRINGEMENT OF INTELLECTUAL PROPERTY RIGHTS. IN NO EVENT WILL ADI AND ITS LICENSORS BE LIABLE FOR ANY INCIDENTAL, SPECIAL, INDIRECT, OR CONSEQUENTIAL DAMAGES RESULTING FROM CUSTOMER'S POSSESSION OR USE OF THE EVALUATION BOARD, INCLUDING BUT NOT LIMITED TO LOST PROFITS, DELAY COSTS, LABOR COSTS OR LOSS OF GOODWILL. ADI'S TOTAL LIABILITY FROM ANY AND ALL CAUSES SHALL BE LIMITED TO THE AMOUNT OF ONE HUNDRED US DOLLARS (\$100.00). EXPORT. Customer agrees that it will not directly or indirectly export the Evaluation Board to another country, and that it will comply with all applicable United States federal laws and regulations relating to exports. GOVERNING LAW. This Agreement shall be governed by and construed in accordance with the substantive laws of the Commonwealth of Massachusetts (excluding conflict of law rules). Any legal action regarding this Agreement will be heard in the state or federal courts having jurisdiction in Suffolk County, Massachusetts, and Customer hereby submits to the personal jurisdiction and venue of such courts. The United Nations Convention on Contracts for the International Sale of Goods shall not apply to this Agreement and is expressly disclaimed.

©2018–2019 Analog Devices, Inc. All rights reserved. Trademarks and registered trademarks are the property of their respective owners.
UG17014-0-6/19(B)



www.analog.com