



LEVER BODY

Glass-fibre reinforced polyamide based (PA) technopolymer, with silver ion additive on an inorganic base, RAL 7021 grey-black colour (C1) or RAL 9016 white (C16), matte finish. Built-in zinc alloy toothed insert for coupling to the metal clamping element.

STANDARD EXECUTION

AISI 303 stainless steel clamping element [with threaded hole and retaining screw. AISI 302 stainless steel return spring.

Retaining screw with six-lobed socket to fit TORX®.

FEATURES AND APPLICATIONS

The special antimicrobial additive prevents the proliferation of microbes, bacteria and fungi on the product surface.

The controlled release mechanism of the silver ions keeps the antimicrobial characteristics unchanged over time, even after several washing cycles.

The high temperature resistance of the additive used allows its use even in sterilisation cycles (130°C).

Material samples have been tested in accredited laboratories, according to the standards of ISO 22196: 2011 (Measurement of antibacterial activity on plastics and other non-porous surfaces) which derives from the JIS Z 2801 standard.

The following microbe strains have been used for the tests:

- Escherichia Coli ATCC® 25922™ (antimicrobial activity 99,9%).
- Staphylococcus Aureus ATCC® 25923™ (antimicrobial activity 99,9%).
- Klebsiella Pneumoniae ATCC® 13883™ (antimicrobial activity 99,8%).
- Pseudomonas Aeruginosa ATCC® 27853™ (antimicrobial activity 99,9%).
- Candida Albicans ATCC® 10231™ (antimicrobial activity 98,9%).

Particularly suitable when the lever turning angle is limited owing to lack of space.

The metal teeth of the built-in zinc alloy insert allow the assembly of clamping elements completely made out of metal, which can be easily modified by machining in case of special assembly requirements.

Antimicrobial additives are suitable for all applications where sanitisation and hygiene are fundamental, for example:

- medical and hospital equipment;
- disability aids;
- machines for food processing and pharmaceutical industry;
- equipment for catering service;
- urban and public fittings.

INSTRUCTIONS OF USE

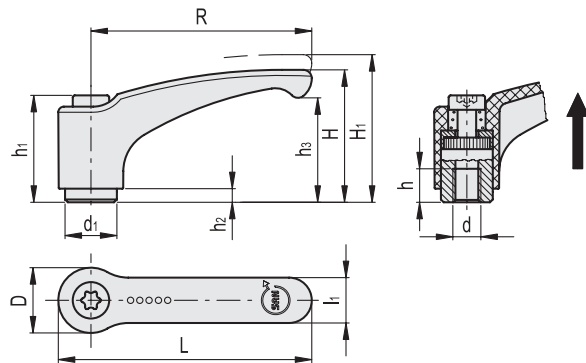
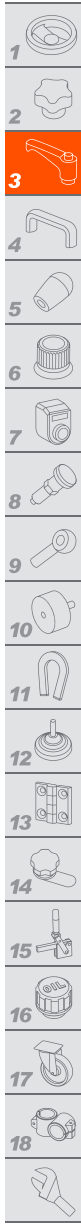
For clamping, lift the lever to disengage the clamping device teeth and bring it back to start position. By releasing the lever, the return spring automatically engages the teeth.

If the lever cannot make a 360° rotation, the clamping element can be easily screwed by means of the six-lobed socket front head screw (after having disengaged the lever).

* Registered trademark by TEXTRON INC.



ERGOSTYLE® ELESA Original design



Conversion Table	
1 mm = 0,039 inch	
R	
mm	inch
63	2.48
78	3.07

Code	Description	Code	Description	R	d	L	D	H	H1	h	h1	h2	h3	d1	l1	Teeth no.	⚖
153432-C1	ERZ.63 SST-M6-SAN-C1	153432-C16	ERZ.63 SST-M6-SAN-C16	63	M6	72.5	19	38.5	42	10	31	3.5	30	13.5	13.5	24	33
153434-C1	ERZ.78 SST-M8-SAN-C1	153434-C16	ERZ.78 SST-M8-SAN-C16	78	M8	89.5	23	45	50.5	14	36	3.5	35	16	16	26	61



Clamping levers