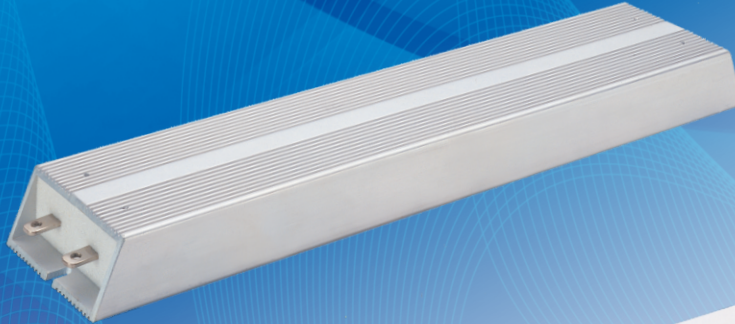
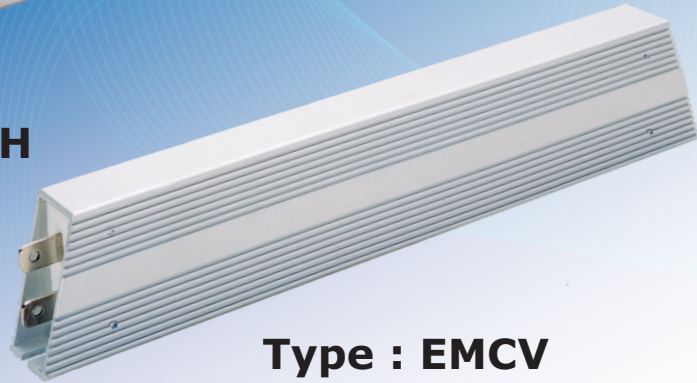


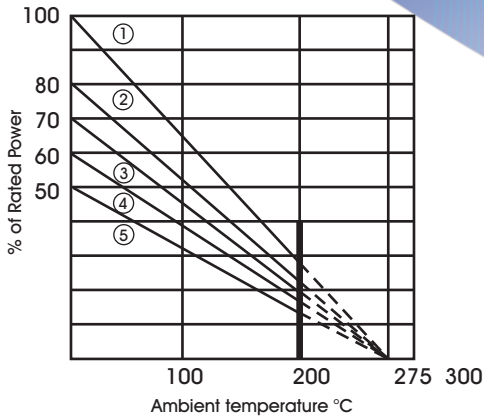
ALUMINIUM HOUSED METAL CLAD BRAKING RESISTORS



Type : EMCH



Type : EMCV



- | | |
|-------------------------|--------------------------|
| 1 On Heat Sink 60W~500W | HEATSINK SIZE |
| 2 Free Air 60W~150W | 60W-120W : 200X200X3mm |
| 3 Free Air 200W~300W | 150W-300W : 300X300X3mm |
| 4 Free Air 400W~500W | 400W-500W : 450X450X3mm |
| 5 Free Air 750W~1000W | 750W-1000W : 600X600X3mm |

If finned heatsink is used, surface area should be equal to the above heat sink area.

1. Operating Temp.	-55°C - +275°C
2. Insulation Resistance	>20MΩ MIN
3. Dielectric Strength	AC1500V, 3500V, 5000V for 1 min
4. Temp. Coefficient	50 ppm/°C, 100 ppm/°C, 260 ppm/°C
5. Short Time Over Load	10 X Wattage Rating, 5 sec
6. Moisture resistance	temp 40°C moisture 95% DC100v500h
7. Thermal Shock	Wattage Rating 30min. -25°C, 15min
8. Vibration	10c/c ~ 50 c/s ~ 10 c/s (1min) -2h each of paralleled and right angle.
9. Load Life	Wattage Rating 1.5 h On, 30min off, 1000h
10. Derate to zero	at 275°C

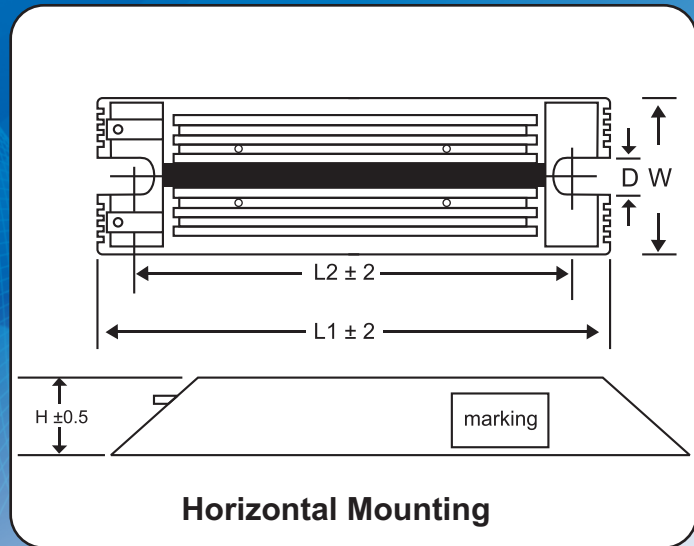
FEATURES

- Low Price Small Size.
- High Power and Excellent load life stability
- Excellent short time over load
- Strongly resistant to moisture & solvent.
- Self-extinguish material is used in encapsulation.
- Non-inductive type available.
- High-surge-resistant items are available.
- **Wire terminals available. Standard length 300mm** longer length upto 1.25 mtrs.(optional) can also be supplied.
- Models with thermal switch available.
- Custom built resistors is our speciality.

ENAPROS

CB-231A, Ring Road, Naraina, New Delhi-110028 (INDIA)
Tel. : 91-11-25778450, 25778927
E-mail : ssb@power-resistor.com WEBSITE : www.resistorsonline.com





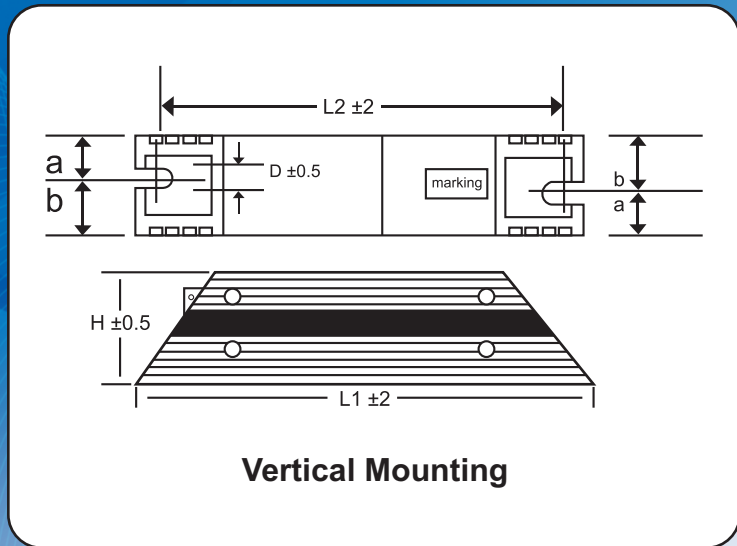
EMC SERIES WITH HEAT SINK

Cat. No.	Watts @ 20°C with heatsink	EMC SERIES DIMENSIONS (MM)					Approx. Weight (g)
		L1	L2	W	H	D	
HS-EMC60	60	115	100	40	20	4.0	160
HS-EMC80	80	140	125	40	20	4.0	200
HS-EMC100	100	165	150	40	20	4.0	250
HS-EMC120	120	190	175	40	20	4.0	310
HS-EMC150	150	215	200	40	20	4.0	330
HS-EMC200	200	165	150	60	30	5.3	590
HS-EMC300	300	215	200	60	30	5.3	800
HS-EMC400	400	265	250	60	30	5.3	1050
HS-EMC500	500	330	315	60	30	5.3	1250
HS-EMC750*	750	330	315	80	35	5.3	2000
HS-EMC1000*	1000	415	400	80	35	5.3	2500

EMC SERIES WITHOUT HEAT SINK

Cat. No.	Watts @ 20°C without heatsink	EMC SERIES DIMENSIONS (MM)					Approx. Weight (g)
		L1	L2	W	H	D	
EMC60	48	115	100	40	20	4.0	160
EMC80	64	140	125	40	20	4.0	200
EMC100	80	165	150	40	20	4.0	250
EMC120	96	190	175	40	20	4.0	310
EMC150	120	215	200	40	20	4.0	330
EMC200	140	165	150	60	30	5.3	590
EMC300	210	215	200	60	30	5.3	800
EMC400	240	265	250	60	30	5.3	1050
EMC500	300	330	315	60	30	5.3	1250
EMC750*	375	330	315	80	35	5.3	2000
EMC1000*	500	415	400	80	35	5.3	2500

- For horizontal Mounting add 'H'. For Vertical Mounting add 'V'. For Non-Inductive type add 'N' ex. EMC200HN 100R J 1005 where EMC200 is Cat. No., H indicates horizontal mounting, N indicates non-inductive, R indicates ohms, J indicates 5% tolerance (this can change), 1005 indicates month & year of manufacture
- ex. HS-EMC200HN 100R J 1005 where HS-EMC200 is Cat. No, HS indicates extra external heat sink, H indicates horizontal mounting, N indicates non-inductive, R indicates ohms, J indicates 5% tolerance (this can change), 1005 indicates month & year of manufacture.
- *Non UL certified.
- In EMC series with Heat Sink, Weight of extra external heat sink is not included.



EMC SERIES WITH HEAT SINK

Cat. No.	Watts @ 20°C with heatsink	EMC SERIES DIMENSIONS (MM)							Approx. Weight (g)
		L1	L2	W	H	D ± 0.5	a ± 0.5	b (g)	
HS-EMC60	60	115	100	20	40	4.0	8.0	12.0	160
HS-EMC80	80	140	125	20	40	4.0	8.0	12.0	200
HS-EMC100	100	165	150	20	40	4.0	8.0	12.0	250
HS-EMC120	120	190	175	20	40	4.0	8.0	12.0	310
HS-EMC150	150	215	200	20	40	4.0	8.0	12.0	330
HS-EMC200	200	165	150	30	60	5.3	13.0	17.0	590
HS-EMC300	300	215	200	30	60	5.3	13.0	17.0	800
HS-EMC400	400	265	250	30	60	5.3	13.0	17.0	1050
HS-EMC500	500	330	315	30	60	5.3	13.0	17.0	1250
HS-EMC750*	750	330	315	35	80	5.3	10.0	25.0	2000
HS-EMC1000*	1000	415	400	35	80	5.3	10.0	25.0	2500

EMC SERIES WITHOUT HEAT SINK

Cat. No.	Watts @ 20°C without heatsink	EMC SERIES DIMENSIONS (MM)							Approx. Weight (g)
		L1	L2	W	H	D ± 0.5	a ± 0.5	b (g)	
EMC60	48	115	100	20	40	4.0	8.0	12.0	160
EMC80	64	140	125	20	40	4.0	8.0	12.0	200
EMC100	80	165	150	20	40	4.0	8.0	12.0	250
EMC120	96	190	175	20	40	4.0	8.0	12.0	310
EMC150	120	215	200	20	40	4.0	8.0	12.0	330
EMC200	140	165	150	30	60	5.3	13.0	17.0	590
EMC300	210	215	200	30	60	5.3	13.0	17.0	800
EMC400	240	265	250	30	60	5.3	13.0	17.0	1050
EMC500	300	330	315	30	60	5.3	13.0	17.0	1250
EMC750*	375	330	315	35	80	5.3	10.0	25.0	2000
EMC1000*	500	415	400	35	80	5.3	10.0	25.0	2500

- For horizontal Mounting add 'H'. For Vertical Mounting add 'V'. For Non-Inductive type add 'N' ex. EMC200VN 100R J 1005 where EMC200 is Cat. No., V indicates vertical mounting, N indicates non-inductive, R indicates ohms, J indicates 5% tolerance (this can change), 1005 indicates month & year of manufacture
- ex. HS-EMC200VN 100R J 1005 where HS-EMC200 is Cat. No, HS indicates extra external heat sink, V indicates vertical mounting, N indicates non-inductive, R indicates ohms, J indicates 5% tolerance (this can change), 1005 indicates month & year of manufacture.
- *Non UL certified.
- In EMC series with Heat Sink, Weight of extra external heat sink is not included.