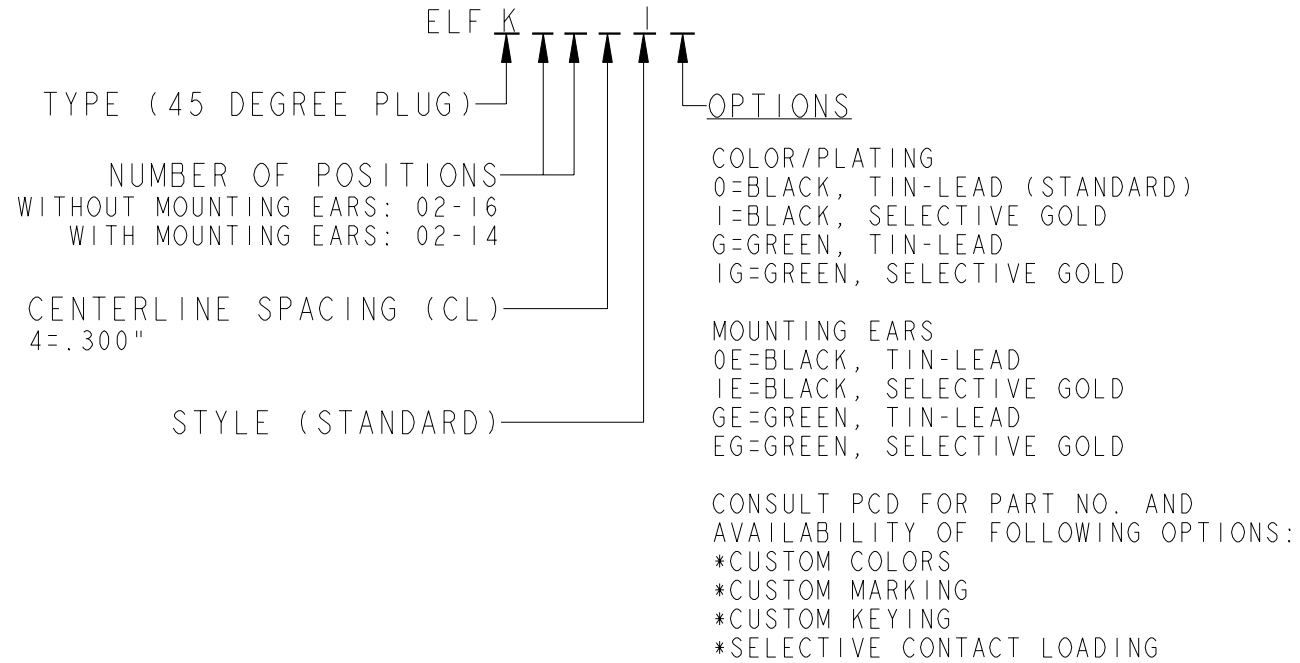


| REV | ECN | APP'D |
|-----|------|-------|
| - | 5137 | |

ELFK SERIES PART NUMBERING SCHEME



RU RATINGS

CURRENT - 15A
 VOLTAGE - 300V
 U.L. FILE NO. PENDING

SP RATINGS

CURRENT - 15 A
 VOLTAGE - 450 V
 CSA FILE NO. PENDING

DIN VDE 0627:1986
 DIN VDE 0110-1:1989
 EN 60947-1:1991
 EN 60947-7-1:1992

CURRENT - 15 A
 VOLTAGE - 450 V
 TUV FILE NO. PENDING

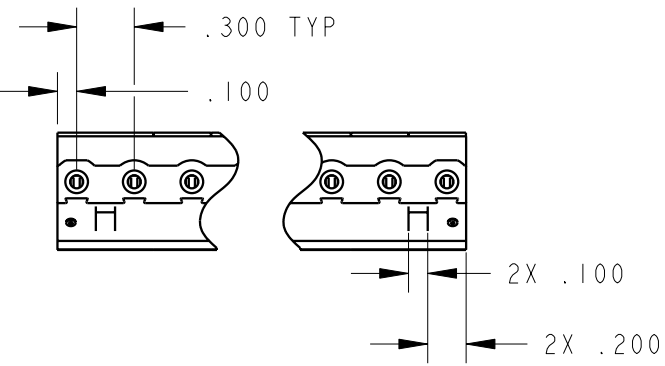
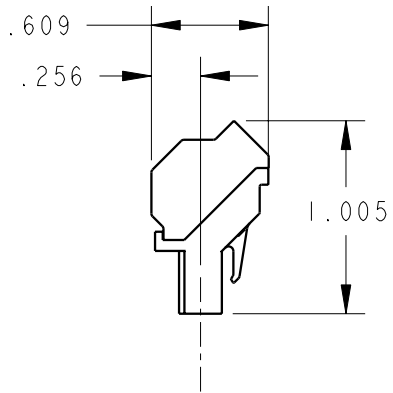
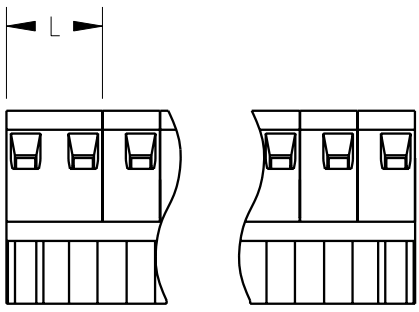
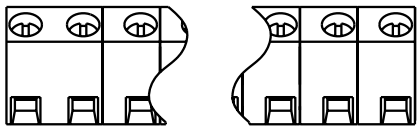
INSTALLATION RECOMMENDATIONS:
 WIRE RANGE: AWG #12-26, STRANDED OR SOLID
 WIRE STRIP LENGTH: .310"
 TIGHTENING TORQUE: 7 LB-IN.

MATERIALS:
 HOUSING: PPO, UL 94 V-0
 CONTACT: COPPER ALLOY, OPTIONAL FINISH
 SCREW: STEEL, NICKEL FINISH
 WIRE CLAMP: COPPER ALLOY, NICKEL FINISH

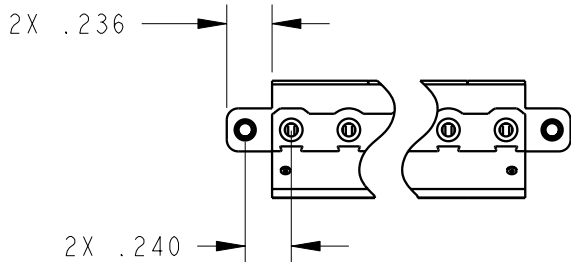
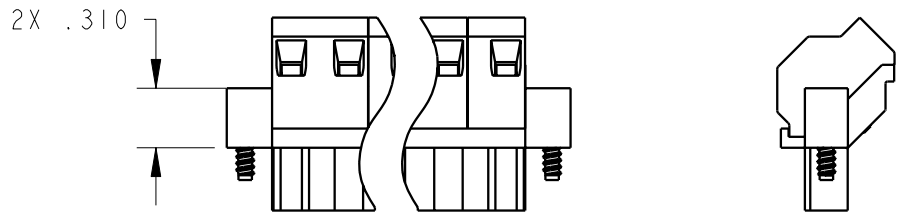
MAX OPERATING TEMPERATURE:
 105°C

| | | | | | | | |
|---|---|-----------------------|------------------------------|------------------|-----------------------------|---|----------|
| DIMENSIONS ANSI Y14.5M UNITS: INCHES Pro/E FILE | TOLERANCES .XX ±0.01 .XXX ±0.005 ANGLES ±2.0° | PROJECTION | SPECIFICATION DRAWING | | | TITLE ELFK SERIES 45 DEGREE PLUG .300 PITCH | |
| | | | ENGR I. QUINN 12/27/02 | | | | |
| ORIGINAL STAMPED IN RED | THIS DOCUMENT CONTAINS PROPRIETARY INFORMATION WHICH IS THE CONFIDENTIAL PROPERTY OF PCD, INC. PEABODY, MA, USA | CHKD | | SIZE A | DWG NO. ELFK02410 | | REV - |
| | | APPD | | CODE: 58982 | SCALE: NONE | SHEET 1 OF 2 | |

$$L = (\text{NUM OF POS} \times .300) - .1$$



MOUNTING EAR
CONFIGURATION



| | | |
|-------------|-------------|--------------|
| SIZE | DWG NO. | REV |
| A | ELFK02410 | - |
| CODE: 58982 | SCALE: NONE | SHEET 2 OF 2 |