

MATERIAL

Glass-fibre reinforced polyamide based (PA) technopolymer.

STANDARD EXECUTIONS

- **EKK-B:** brass boss, threaded blind hole. Ergostyle colours, matte finish.
- **EKK-p:** zinc-plated steel threaded stud, chamfered flat end. UNI 947 : ISO 4753 (see Technical data on page A-10). Grey-black colour, matte finish.

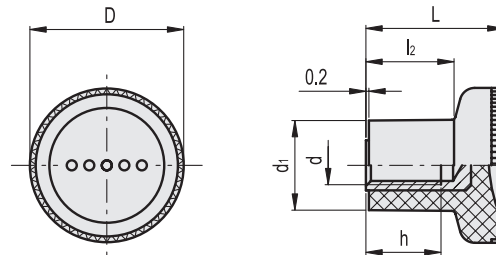
SPECIAL EXECUTIONS ON REQUEST

The knurled knobs EKK-p can be provided in one of the other Ergostyle colours.



ERGOSTYLE® ELESA Original design

EKK-B



Conversion Table	
1 mm = 0.039 inch	
D	
mm	inch
16	0.63
18	0.70
21	0.83
25	0.98
31	1.22
35	1.38

* Complete with colour index, example: 242081-C2 EKK.16 B-M3-C2

- C1**
RAL7021
- C2**
RAL2004
- C3**
RAL7035
- C4**
RAL1021
- C5**
RAL5024
- C6**
RAL3000
- C17**
RAL6017

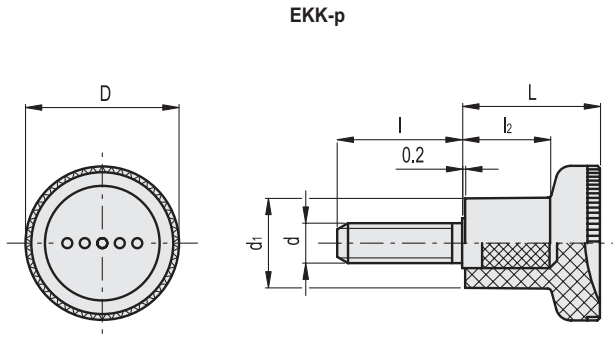
METRIC

EKK-B

Code	Description	D	L	d6H	d1	h	l2	△△
242081-*	EKK.16 B-M3-*	16	13	M3	8.5	6	8.5	7
242091-*	EKK.18 B-M4-*	18	15.5	M4	10.5	6	10.5	6
242111-*	EKK.21 B-M4-*	21	18	M4	12.5	10	10.5	8
242121-*	EKK.21 B-M5-*	21	18	M5	12.5	10	10.5	7
242211-*	EKK.25 B-M6-*	25	22.5	M6	14.5	12	14	11
242221-*	EKK.25 B-M8-*	25	22.5	M8	14.5	12	14	10
242301-*	EKK.31 B-M6-*	31	27	M6	18.5	15	17	21
242311-*	EKK.31 B-M8-*	31	27	M8	18.5	15	17	20
242321-*	EKK.31 B-M10-*	31	27	M10	18.5	17	17	19
242401-*	EKK.35 B-M6-*	35	27.5	M6	20	16	17	22
242411-*	EKK.35 B-M8-*	35	27.5	M8	20	15	17	25
242421-*	EKK.35 B-M10-*	35	27.5	M10	20	17	17	25

Fixed & Revolving handles

Conversion Table	
1 mm = 0.039 inch	
D	
mm	inch
16	0.63
18	0.70
21	0.83
25	0.98
31	1.22
35	1.38



EKK-p

METRIC

Code	Description	D	L	d _g	d ₁	l	l ₂	⚖
243001-C1	EKK.16-p M3x10-C1	16	13	M3	8.5	10	8.5	8
243006-C1	EKK.16-p M3x16-C1	16	13	M3	8.5	16	8.5	9
243111-C1	EKK.18-p M4x10-C1	18	15.5	M4	10.5	10	10.5	9
243116-C1	EKK.18-p M4x16-C1	18	15.5	M4	10.5	16	10.5	10
243121-C1	EKK.21 p-M5x10-C1	21	18	M5	12.5	10	10.5	10
243126-C1	EKK.21 p-M5x16-C1	21	18	M5	12.5	16	10.5	11
243131-C1	EKK.21 p-M5x20-C1	21	18	M5	12.5	20	10.5	12
243146-C1	EKK.21 p-M6x16-C1	21	18	M6	12.5	16	10.5	11
243151-C1	EKK.21 p-M6x20-C1	21	18	M6	12.5	20	10.5	12
243161-C1	EKK.21 p-M6x30-C1	21	18	M6	12.5	30	10.5	14
243226-C1	EKK.25 p-M6x16-C1	25	22.5	M6	14.5	16	14	13
243231-C1	EKK.25 p-M6x20-C1	25	22.5	M6	14.5	20	14	14
243236-C1	EKK.25 p-M6x25-C1	25	22.5	M6	14.5	25	14	15
243241-C1	EKK.25 p-M6x30-C1	25	22.5	M6	14.5	30	14	16
243251-C1	EKK.25-p M8x20-C1	25	22.5	M8	14.5	20	14	15
243256-C1	EKK.25-p M8x25-C1	25	22.5	M8	14.5	25	14	16
243261-C1	EKK.25-p M8x30-C1	25	22.5	M8	14.5	30	14	17
243271-C1	EKK.25-p M8x40-C1	25	22.5	M8	14.5	40	14	19
243351-C1	EKK.31 p-M6x16-C1	31	27	M6	18.5	16	17	25
243352-C1	EKK.31 p-M6x20-C1	31	27	M6	18.5	20	17	26
243353-C1	EKK.31 p-M6x25-C1	31	27	M6	18.5	25	17	28
243354-C1	EKK.31 p-M6x30-C1	31	27	M6	18.5	30	17	30
243326-C1	EKK.31 p-M8x20-C1	31	27	M8	18.5	20	17	26
243331-C1	EKK.31 p-M8x25-C1	31	27	M8	18.5	25	17	28
243336-C1	EKK.31 p-M8x30-C1	31	27	M8	18.5	30	17	30
243346-C1	EKK.31 p-M8x40-C1	31	27	M8	18.5	40	17	32
243361-C1	EKK.31 p-M10x30-C1	31	27	M10	18.5	30	17	34
243371-C1	EKK.31 p-M10x40-C1	31	27	M10	18.5	40	17	40
243411-C1	EKK.35 p-M6x16-C1	35	27.5	M6	20	16	17	24
243413-C1	EKK.35 p-M6x20-C1	35	27.5	M6	20	20	17	25
243415-C1	EKK.35 p-M6x25-C1	35	27.5	M6	20	25	17	25
243417-C1	EKK.35 p-M6x30-C1	35	27.5	M6	20	30	17	26
243421-C1	EKK.35 p-M8x20-C1	35	27.5	M8	20	20	17	29
243423-C1	EKK.35 p-M8x25-C1	35	27.5	M8	20	25	17	30
243425-C1	EKK.35 p-M8x30-C1	35	27.5	M8	20	30	17	32
243427-C1	EKK.35 p-M8x40-C1	35	27.5	M8	20	40	17	35
243431-C1	EKK.35 p-M10x20-C1	35	27.5	M10	20	20	17	36
243437-C1	EKK.35 p-M10x40-C1	35	27.5	M10	20	40	17	38



Fixed & Revolving handles