

Transfer or duplication of this document as well as the utilisation or communication of its content are not permitted unless express consent is granted. Violations give rise to claims for damages. All rights reserved in case of patent, utility model or design patent registrations.



Ratings

Use Group **B**
 Rated Voltage **300V**
 Rated Current **6A**
 Rated Wire Size
 solid **AWG 28-16**
 flexible **AWG 28-16**

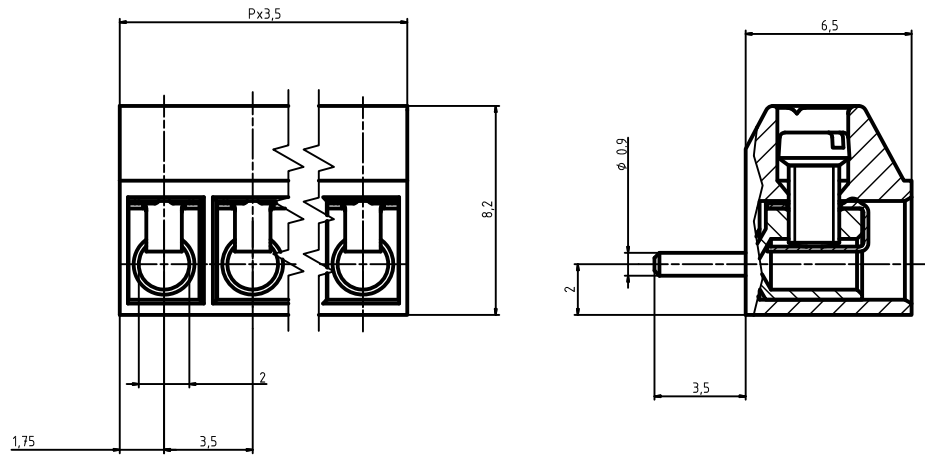
Screw Size **M2**

Insulating Material

Material **PA 6.6**
 Flammability Class **UL 94 V-0**

Materials

Clamp **Brass**
 Screw **Stainless Steel**
 Solder Tag **Steel**
 Temperature Range **-40° C ~ 105° C**
 RoHS Compliant



Part No.: **ED550/XDS**

No. of Poles
 02 2 Poles
 03 3 Poles

 16 16 Poles

DWG.	WF. Zhang	DATE	2017.09.11	UNITS:	MM	SHEET:	1 OF 1	Tolerance
CHK.	WF. Zhang	DATE	2017.09.11	SCALE:	NONE 5:1 (:)	REV:	A	X. ±0.50
APP.		DATE		TITLE:	ED550DS series 3.5 mm, one piece wire protector, vertical wire entry			X.X ±0.30
				PART NO.	ED550/XDS			X.XX ±0.10
				DWG NO.	ED550/XDS.DWG			X° ±1°

⚠			
SIGN	DESCRIPTION	CHK.	DATE



ON-SHORE TECHNOLOGY, INC.

