

# LED ECS-150W1050



LED Canopy Light(Square) / PC + Aluminum Housing

## Product Description

**LED ECS-150W105** is the premier choice for industrial and commercial lighting in a variety of settings, such as gas station, house, entryways, parking lots, warehouses, barns, sheds, and more. With light output 18750-20250 lumens, these fixtures will give the light you need for your application, as well as save you up to 90% on your energy bill. Enjoy features such as: Energy Efficient, dimming options, Wet Rated, and IP65 Protection.



**Estimated Energy Cost:** \$18.06 per year

\*Note: Design, features and specifications subject to change without notice. Some features may not be available on all models. For more information please visit: [www.eurilighting.com](http://www.eurilighting.com) or call 1-310-787-1100

\*Operating temperature (-40°F to 113°F) / Storage temperature (-40°F to 176°F)

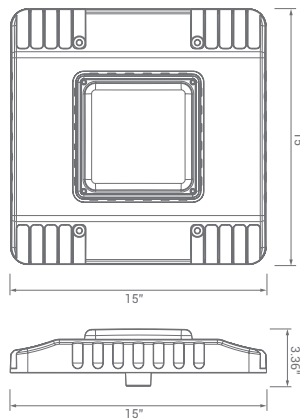
## Specifications

| Input Power | Input Voltage     | Lumen Output | Beam Angle    | Center Beam | CCT           |
|-------------|-------------------|--------------|---------------|-------------|---------------|
| 150 W       | 100-277 V         | 20250 lm     | 120°          | N/A         | 5000 K        |
| CRI         | Luminous Efficacy | Power Factor | Input Current | Base/Cap    | Lamp Lifespan |
| 80          | 135 lm/W          | 0.9          | 1.67 A        | N/A         | 50,000 Hrs.   |

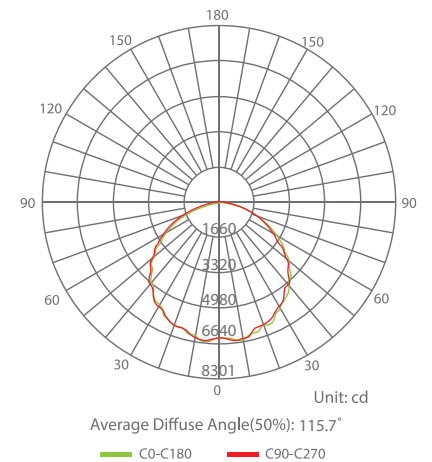
### Product Features

- Energy Efficient
- 1-10V Dimmable
- Wet Rated
- IP65 Protection

### Product Dimensions



### Product Photometric Data



**Euri Lighting | A Division of IRTRONIX Inc.**