



- 1
- 2
- 3
- 4
- 5
- 6
- 7
- 8
- 9
- 10
- 11
- 12
- 13
- 14
- 15
- 16
- 17
- 18

**MATERIAL**

Glass-fibre reinforced polyamide based (PA) technopolymer, with silver ion additive on an inorganic base, RAL 7021 grey-black colour (C1) or RAL 9016 white (C16), matte finish.

**SCREW-COVERS**

- ECA.B SAN: Tecnopolimero a base poliammidica (PA) con additivo agli ioni d'argento su base inorganica, colore grigio-nero RAL 7021 (C1) o bianco RAL 9016 (C16), finitura mat, montate a pressione. Supplied with the handle, press-fit assembly, removable by a screw-driver.

Available also as accessories sold separately (see table).

**STANDARD EXECUTION**

Pass-through holes for cylindrical-head screws with hexagon socket.

**FEATURES AND APPLICATIONS**

The special antimicrobial additive prevents the proliferation of microbes, bacteria and fungi on the product surface.

The controlled release mechanism of the silver ions keeps the antimicrobial characteristics unchanged over time, even after several washing cycles.

The high temperature resistance of the additive used allows its use even in sterilisation cycles (130°C).

Material samples have been tested in accredited laboratories, according to the standards of ISO 22196: 2011 (Measurement of antibacterial activity on plastics and other non-porous surfaces) which derives from the JIS Z 2801 standard.

The following microbe strains have been used for the tests:

- Escherichia Coli ATCC® 25922™ (antimicrobial activity 99,9%).
- Staphylococcus Aureus ATCC® 25923™ (antimicrobial activity 99,9%).
- Klebsiella Pneumoniae ATCC® 13883™ (antimicrobial activity 99,8%).
- Pseudomonas Aeruginosa ATCC® 27853™ (antimicrobial activity 99,9%).
- Candida Albicans ATCC® 10231™ (antimicrobial activity 98,9%).

Antimicrobial additives are suitable for all applications where sanitation and hygiene are fundamental, for example:

- medical and hospital equipment;
- disability aids;
- machines for food processing and pharmaceutical industry;
- equipment for catering service;
- urban and public fittings.

**ACCESSORIES ON REQUEST**

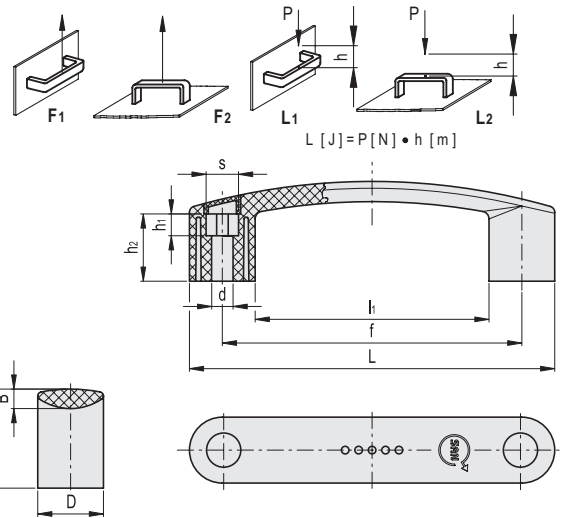
- ECA.B SAN: polyamide based (PA) technopolymer screw-covers, with silver ion additive on an inorganic base, RAL 7021 grey-black colour (C1) or RAL 9016 white colour (C16), matte finish, press-fit assembly (see table).



ERGOSTYLE® ELESA Original design

**TECHNICAL DATA**

Tensile stress and impact strength: the values F1, F2, L1 and L2 indicated in the table were obtained during breaking tests carried out with the appropriate dynamometric equipment under the test conditions shown in the figure with ambient temperature.



<b>C1</b>	<b>C16</b>
RAL7021	RAL9016

**ECA.B SAN**

Code	Description	Caps for
29836-*	ECA.B1-SAN-*	EBP.140 / EBP.200

\* Complete with colour index (C1, C16).

Conversion Table 1 mm = 0.039 inch					
L		d		s	
mm	inch	mm	inch	mm	inch
144	5.67	8.5	0.33	13	0.51
208.5	8.21				



Code	Description	Code	Description	L	f	d	s	D	h	h1	h2	B	l1	F1 [N]	F2 [N]	L1 [J]	L2 [J]	Δ
153211-C1	EBP.140-8-SAN-C1	153211-C16	EBP.140-8-SAN-C16	144	117±0.5	8.5	13	26.5	39	8.5	26.5	8.5	91	2700	1800	10	4	58
153223-C1	EBP.200-8-SAN-C1	153223-C16	EBP.200-8-SAN-C16	208.5	179±1	8.5	13	29	51	16	35	9.5	150.5	2200	1500	16	9	95