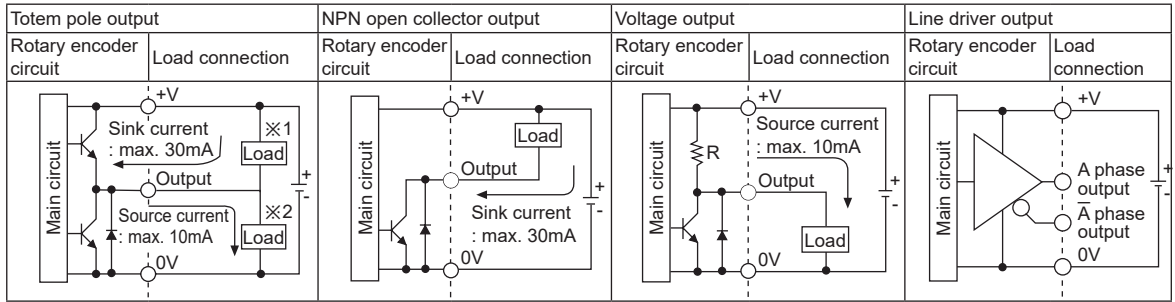


E30S Series

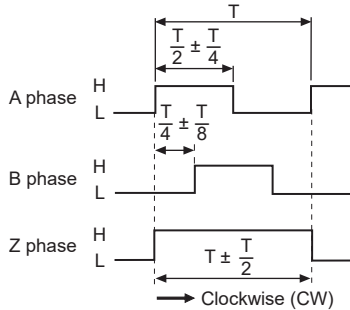
Control Output Diagram



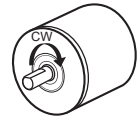
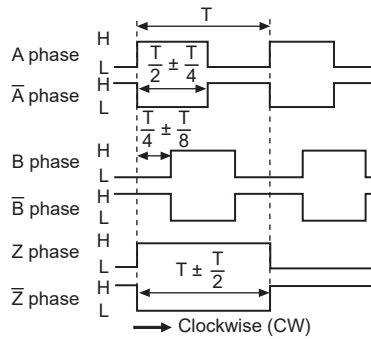
- The output circuit of A, B, Z phase are same. (line driver output is A, \bar{A} , B, \bar{B} , Z, \bar{Z})
- Totem pole output type can be used for NPN open collector output type (×1) or Voltage output type (×2).

Output Waveform

⊙ Totem pole output / NPN open collector output / Voltage output



⊙ Line driver output



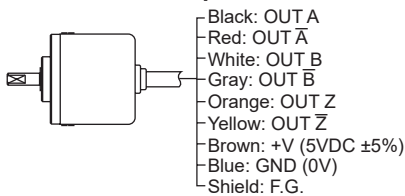
Connections

⊙ Axial cable type

- Totem pole output / NPN open collector output / Voltage output

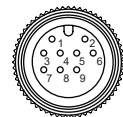


- Line driver output



⊙ Axial cable connector type

- Totem pole output / NPN open collector output / Voltage output
- Line driver output



Totem pole output NPN open collector output Voltage output			Line driver output		
Pin No.	Function	Cable color	Pin No.	Function	Cable color
①	OUT A	Black	①	OUT A	Black
②	OUT B	White	②	OUT \bar{A}	Red
③	OUT Z	Orange	③	+V	Brown
④	+V	Brown	④	GND	Blue
⑤	GND	Blue	⑤	OUT B	White
⑥	F.G.	Shield	⑥	OUT \bar{B}	Gray
			⑦	OUT Z	Orange
			⑧	OUT \bar{Z}	Yellow
			⑨	F.G.	Shield

※F.G. (field ground): It should be grounded separately.

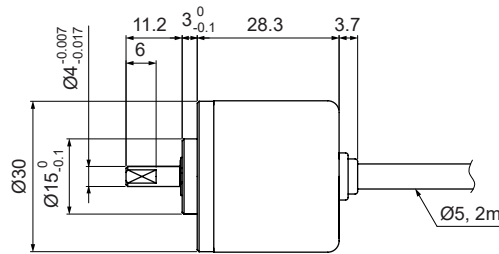
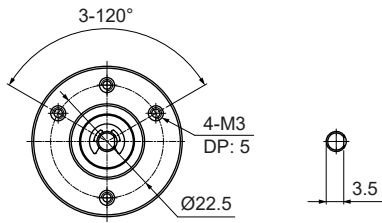
- ※Unused wires must be insulated.
- ※The metal case and shield wire of encoder should be grounded (F.G.).
- ※Do not apply tensile strength over 30N to the cable.

Incremental Ø30mm Shaft type

■ Dimensions

◎ Axial cable type

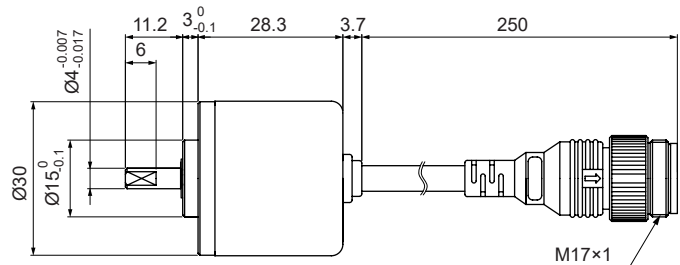
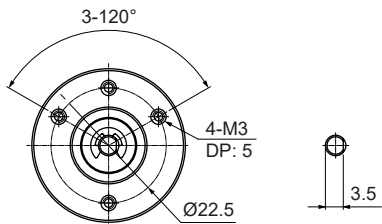
(unit: mm)



Cable for axial cable type

Ø5, 5-wire (line driver output: 8-wire),
2m, Shield cable

◎ Axial cable connector type

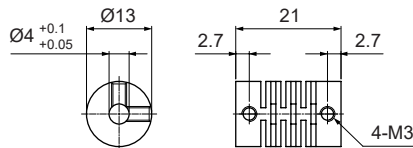


Cable for axial cable connector type

Ø5, 5-wire (line driver output: 8-wire),
250mm, Shield cable

※Connector cable is sold separately and refer to the 'Connectors, Connector Cables, Sensor Distribution Boxes, Sockets' section.

◎ Coupling (E30S)



- Parallel misalignment: max. 0.25mm
- Angular misalignment: max. 5°
- End-play: max. 0.5mm

※It must not use larger shaft loading than specification.

※Do not put strong impact when insert a coupling into shaft.

Failure to follow this instruction may result in product damage.

※Fix the unit or a coupling by a wrench under 0.15N·m of torque.

※When you install this unit, if eccentricity and deflection angle are larger, it may shorten the life cycle of this unit.

※For parallel misalignment, angular misalignment, end-play terms, refer to the "Glossary" section of Technical Description.

※For flexible coupling (ERB series) information, refer to the ERB series section.

SENSORS

CONTROLLERS

MOTION DEVICES

SOFTWARE

(A) Photoelectric Sensors

(B) Fiber Optic Sensors

(C) LiDAR

(D) Door/Area Sensors

(E) Vision Sensors

(F) Proximity Sensors

(G) Pressure Sensors

(H) Rotary Encoders

(I) Connectors/
Connector Cables/
Sensor Distribution
Boxes/ Sockets