

Product Specifications



Core type:

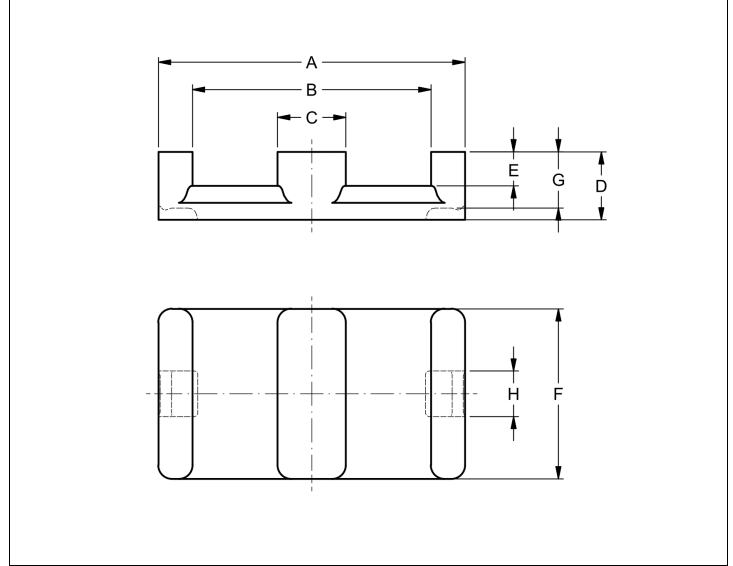
E18/4/10/R + PLT18/10/2/S

Selling unit:

PCS

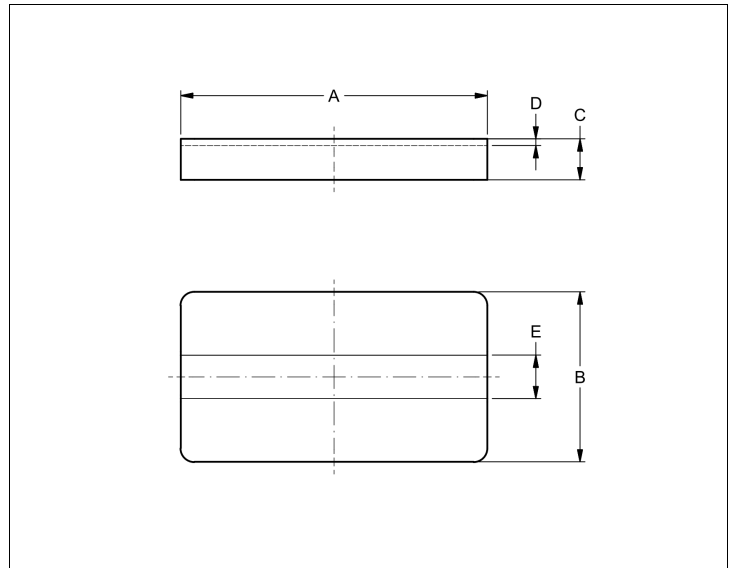
Product dimensions (mm): E18/4/10/R

	Nom	Tol +	Tol -	Max	Min
A	18.00	0.35	0.35	18.35	17.65
B	14.00	0.30	0.30	14.30	13.70
C	4.00	0.10	0.10	4.10	3.90
D	4.00	0.10	0.10	4.10	3.90
E	2.00	0.10	0.10	2.10	1.90
F	10.00	0.20	0.20	10.20	9.80
G	3.30	0.15	0.15	3.45	3.15
H	2.50	0.20	0.00	2.70	2.50



Product dimensions (mm): PLT18/10/2/S

	Nom	Tol +	Tol -	Max	Min
A	18.00	0.35	0.35	18.35	17.65
B	10.00	0.20	0.20	10.20	9.80
C	2.40	0.05	0.05	2.45	2.35
D	2.00	0.10	0.10	2.10	1.90
E	2.50	0.20	0.00	2.70	2.50



Effective parameters

Effective area	Minimum area	Effective length	Effective volume	Core factor
$A_e = 39.5 \text{ [mm}^2\text{]}$	$A_{min} = 35.9 \text{ [mm}^2\text{]}$	$L_e = 20.3 \text{ [mm]}$	$V_e = 830 \text{ [mm}^3\text{]}$	$C_1 = 0.498 \text{ [mm}^{-1}\text{]}$

Inductance factor

Material	Value	Tol +	Tol -	Measuring conditions			Unit
3C90	3680	25%	25%	10 kHz	< 0.1 mT	25°C	nH/turns ²
3C92	2690	25%	25%	10 kHz	< 0.1 mT	25°C	nH/turns ²

Product Specifications



Core type:

E18/4/10/R + PLT18/10/2/S

Selling unit:

PCS

Inductance factor

Material	Value	Tol +	Tol -	Measuring conditions			Unit
3C95	4340	25%	25%	10 kHz	< 0.1 mT	25°C	nH/turns ²
3C96	3250	25%	25%	10 kHz	< 0.1 mT	25°C	nH/turns ²
3C97	4340	25%	25%	10 kHz	< 0.1 mT	25°C	nH/turns ²
3F36	2700	25%	25%	10 kHz	< 0.1 mT	25°C	nH/turns ²
3F46	1500	25%	25%	10 kHz	< 0.1 mT	25°C	nH/turns ²

Power loss

Material	Symbol	Value	Measuring conditions			Unit
3C90	Pv	< 0.1	25 kHz	200 mT	100°C	W/set
3C92	Pv	< 0.41	100 kHz	200 mT	100°C	W/set
3C95	Pv	< 0.4	100 kHz	200 mT	100°C	W/set
3C95	Pv	< 0.43	100 kHz	200 mT	25°C	W/set
3C96	Pv	< 0.37	100 kHz	200 mT	100°C	W/set
3C96	Pv	< 0.15	400 kHz	50 mT	100°C	W/set
3C97	Pv	< 0.41	100 kHz	200 mT	60°C	W/set
3C97	Pv	< 0.41	100 kHz	200 mT	120°C	W/set
3C97	Pv	< 0.5	100 kHz	200 mT	140°C	W/set
3F36	Pv	< 0.12	500 kHz	50 mT	100°C	W/set
3F36	Pv	< 0.95	500 kHz	100 mT	100°C	W/set
3F46	Pv	< 0.33	1000 kHz	50 mT	100°C	W/set
3F46	Pv	< 0.1	3000 kHz	10 mT	100°C	W/set

Bsat

Material	Symbol	Value	Measuring conditions			Unit
3C90	Bsat	> 320	10 kHz	250 A/m	100°C	mT
3C92	Bsat	> 370	10 kHz	250 A/m	100°C	mT
3C95	Bsat	> 330	10 kHz	250 A/m	100°C	mT
3C96	Bsat	> 340	10 kHz	250 A/m	100°C	mT
3C97	Bsat	> 330	10 kHz	250 A/m	100°C	mT
3F36	Bsat	> 320	10 kHz	250 A/m	100°C	mT
3F46	Bsat	> 330	10 kHz	250 A/m	100°C	mT

Accessories

Ordering name	Description	Ordering code
CLM-E18/PLT18	Clamp	FOMEE01800CLM0000P
CLM-E18-7.5	Clamp for E+E	FOMEE01807CLM0000P