

# Data sheet

## PC board jack M12, A-coded, 5-pole, IP67

Page 1/4

P/N

MMT361A815

EAN 4251394631974

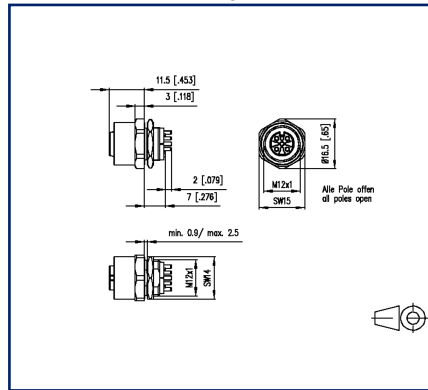
2023/07/04

Version: H

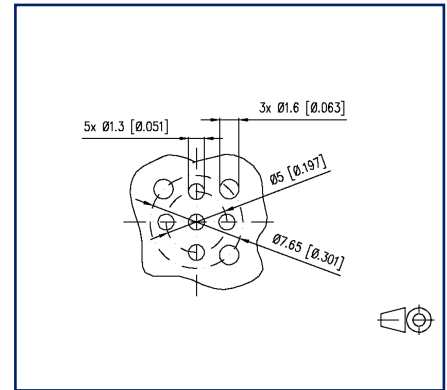
### Illustrations



Dimensional drawing



Drill pattern



See enlarged drawings at the end of document

### Product specification

- PC board jack M12
- Front wall mounting
- 5-pole, A-coded according to IEC 61076-2-101
- THR solderable
- Top entry
- Contact carriers black
- IP67 when plugged in
- suitable for applications in the railway industry according to data sheet

## Technical Data

### General Data

#### Dimensions

Dimension (D x H)	Ø 16.5 mm x 20.5 mm
Dimension (D x H)	0.65 in. x 0.807 in.
Ports	Single port
Solderability	Acc. to IPC/JEDEC J-STD-020E-MSL 1
Coding	A-coded

### Electrical characteristics

Rated voltage	60 V
Current carrying capacity at 40 °C	4 A
Insulation resistance	min. 100 MOhm
Overvoltage category	II
Degree of pollution	2

### Mechanical data

#### Material

Material - Housing	CuZnPb
Material - Contact	CuZnPb
Contact surface	Ni + Au
Material - Insulating body	LCP UL94 V0
Color	black
RoHS	compliant
Life - Number of mating cycles	>= 100
Tightening torque - Plug	0,6 - 1 Nm
Tightening torque - Jack mounting	3 Nm +/- 0,5 Nm
Protection category	IP67 when plugged in

### Climatic properties

Temperature - Operating °C	-40 °C - 85 °C
Temperature - Operating °F	-40 °F - 185 °F



## PC board jack M12, A-coded, 5-pole, IP67

P/N

MMT361A815

EAN 4251394631974

2023/07/04

Version: H

### Technical Data

#### Approvals

Approval mark UL pending

#### Packaging

Type of packaging 10 pc(s) / blister packaging

#### Standards/Regulations

##### Railway applications

Electronic equipment used on rolling stock	following to DIN EN 50155
Fire protection on railway vehicles	following to DIN EN 45545-2
Contact holder	Thermoplastic
Sealings	Elastomer
Shock and vibration	DIN EN 50155:2018-05, DIN EN 61373:2011-04 Class 1 Category B
Salt spray	DIN EN 50155:2018-05, (DIN EN 60068-2-11:2000-02/ 48h test KA)

#### Classifications

ETIM 7.0	EC002637
ETIM 8.0	EC002637

# U | Contact

Data sheet

**PC board jack M12, A-coded, 5-pole, IP67**

Page 4/4

P/N

MMT361A815

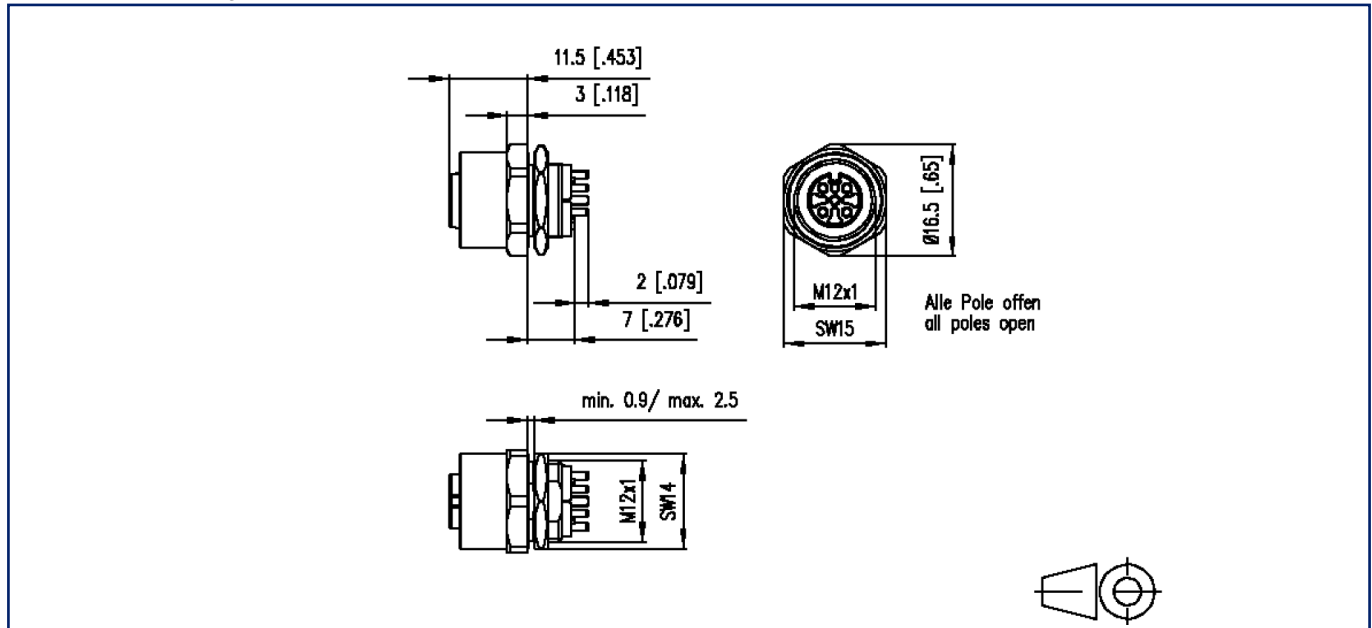
EAN 4251394631974

2023/07/04

Version: H

## Illustrations

Dimensional drawing



Drill pattern

