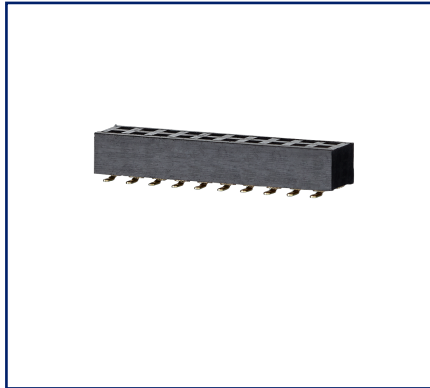
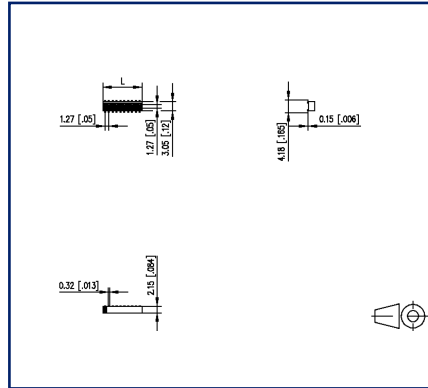


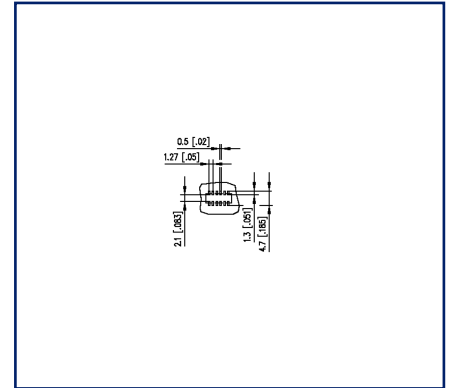
## Illustrations



Dimensional drawing



PCB-Layout



See enlarged drawings at the end of document

## Product specification

- female connector, SMT solderable
- centerline 1.27 mm, direction of connection vertical 0°
- closed ends
- color black
- Tape & Reel packaging possible
- dual rows



## Technical Data

### General Data

min. number of poles	2
max. number of poles	40
Protection category	IP00
Rated current	1 A

### Material

insulating material	PA6
contact material	CuSn
Contact surface	Ni + Ag
contact pin material	CuSn
contact pin surface	Ni + Au Flash
Glow-Wire Flammability GWFI	-
Glow-Wire Flammability GWIT	-

### Climatic Data

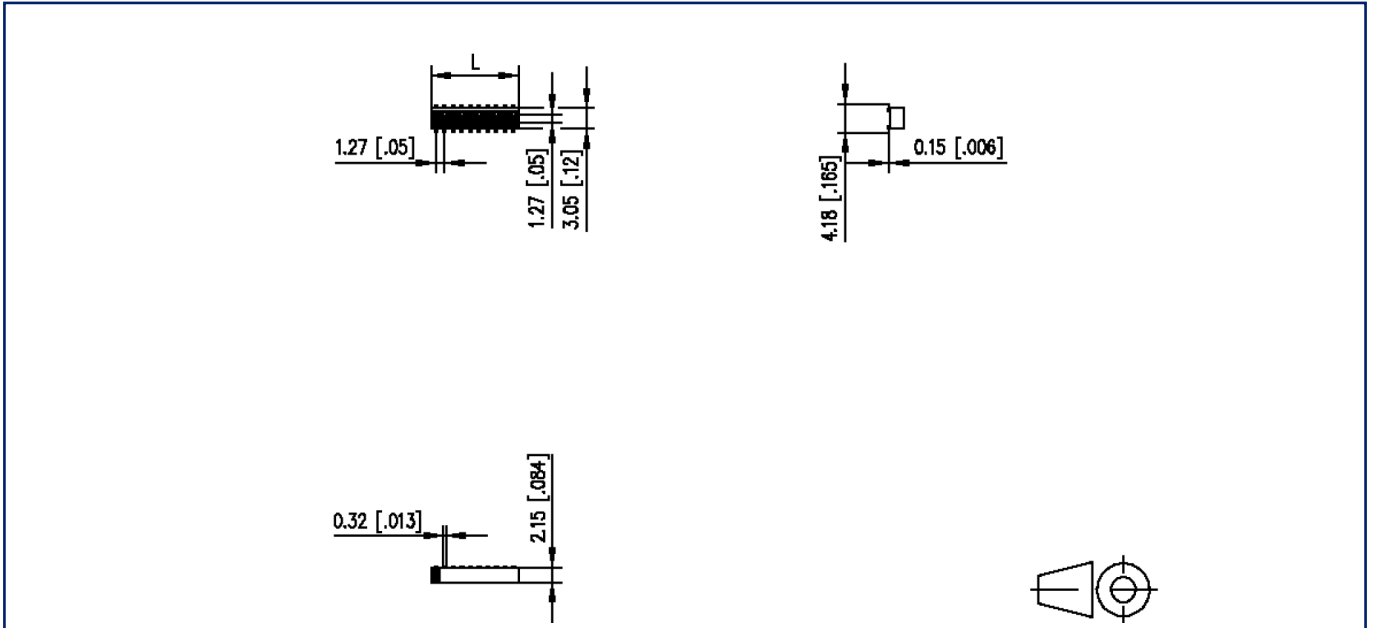
upper limit temperature	105 °C
lower limit temperature	-40 °C

### general

Tolerance	ISO 2768 -mH
Solderability	reflowable

## Illustrations

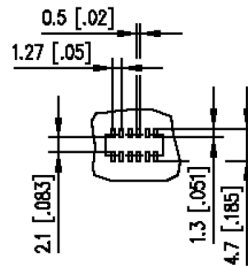
### Dimensional drawing



$L = (\text{pole size} - 1) \times \text{centerline} + 1.73 \text{ mm} [0.068]$

**Illustrations**

PCB-Layout



# U | Contact

Data sheet  
**FM20BxxVBDN**

Page 5/5

P/N  
**FM20BXXVBDN**  
xx=number of poles  
2023/07/03  
Version: D

## Illustrations

