

AC axial fan

straight blades (A series), single-intake

ebm-papst Mulfingen GmbH & Co. KG

Bachmühle 2 · D-74673 Mulfingen

Phone +49 7938 81-0

Fax +49 7938 81-110

info1@de.ebmpapst.com

www.ebmpapst.com

Limited partnership · Headquarters Mulfingen

Amtsgericht (court of registration) Stuttgart · HRA 590344

General partner Elektrobau Mulfingen GmbH · Headquarters Mulfingen

Amtsgericht (court of registration) Stuttgart · HRB 590142

Nominal data

| Type | A2D200-AA04-29 | | |
|-----------------------------|-------------------|------|------|
| Motor | M2D068-CF | | |
| Phase | | 3~ | 3~ |
| Nominal voltage | VAC | 265 | 460 |
| Wiring | | Δ | Y |
| Frequency | Hz | 60 | 60 |
| Method of obtaining data | | fa | fa |
| Valid for approval/standard | | - | - |
| Speed (rpm) | min ⁻¹ | 3100 | 3100 |
| Power consumption | W | 65 | 65 |
| Current draw | A | 0.19 | 0.11 |
| Min. ambient temperature | °C | -25 | -25 |
| Max. ambient temperature | °C | 80 | 80 |

ml = Max. load · me = Max. efficiency · fa = Free air · cs = Customer specification · ce = Customer equipment
Subject to change



AC axial fan

straight blades (A series), single-intake

Technical description

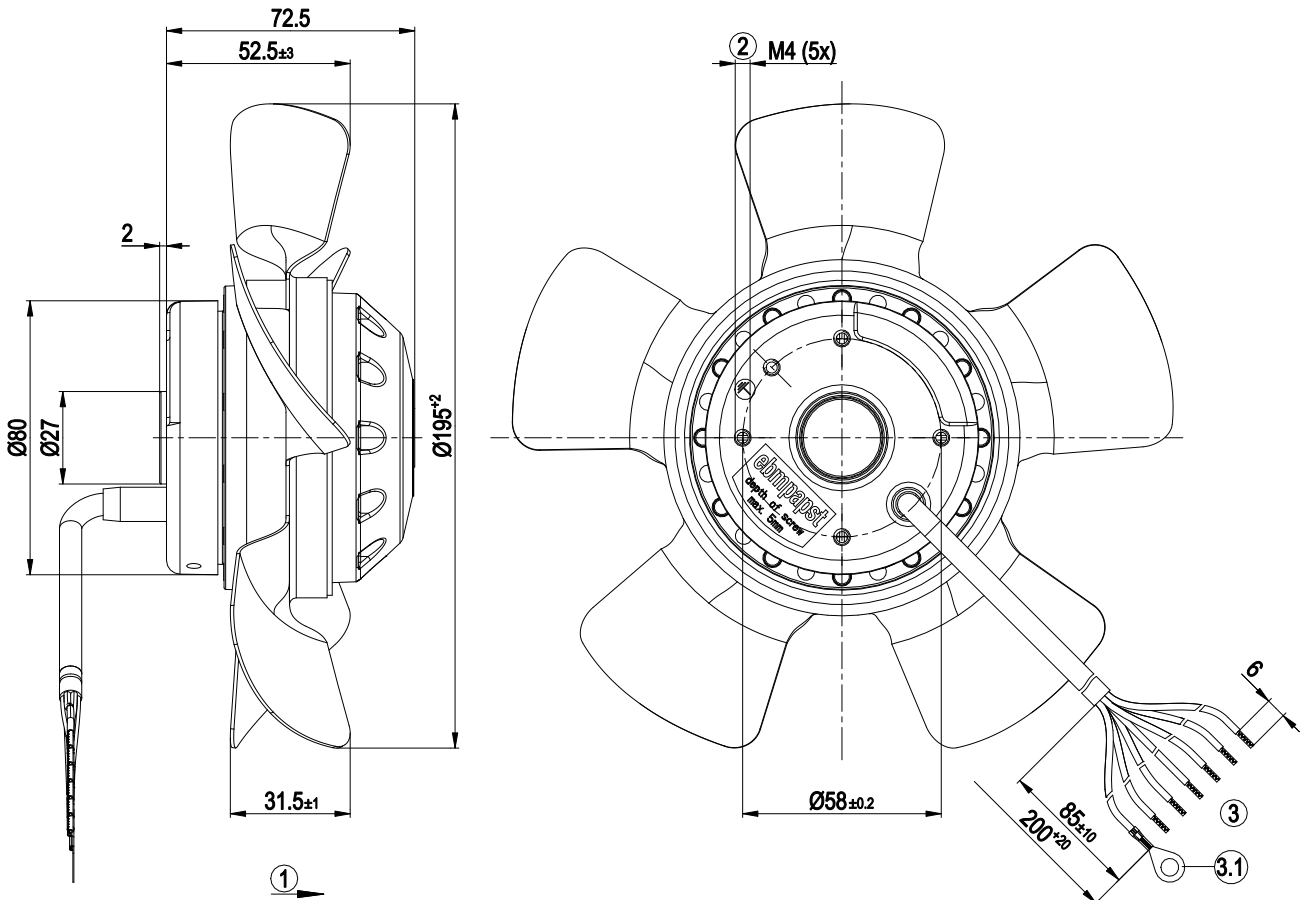
| | |
|---|--|
| Weight | 1.8 kg |
| Size | 200 mm |
| Motor size | 68 |
| Rotor surface | Painted black |
| Blade material | Sheet steel, painted black |
| Number of blades | 5 |
| Airflow direction | A |
| Direction of rotation | Clockwise, viewed toward rotor |
| Degree of protection | IP44; installation- and position-dependent |
| Insulation class | "B" |
| Moisture (F) / Environmental (H) protection class | H0 - dry environment |
| Max. permitted ambient temp. for motor (transport/storage) | + 80 °C |
| Min. permitted ambient temp. for motor (transport/storage) | - 40 °C |
| Installation position | Any |
| Condensation drainage holes | None |
| Mode | S1 |
| Motor bearing | Ball bearing |
| Touch current according to IEC 60990 (measuring circuit Fig. 4, TN system) | < 0.75 mA |
| With cable | Axial |
| Protection class | I (with customer connection of protective earth) |
| Conformity with standards | EN 60335-1, motor does not have factory-installed overheating protection; CE |



AC axial fan

straight blades (A series), single-intake

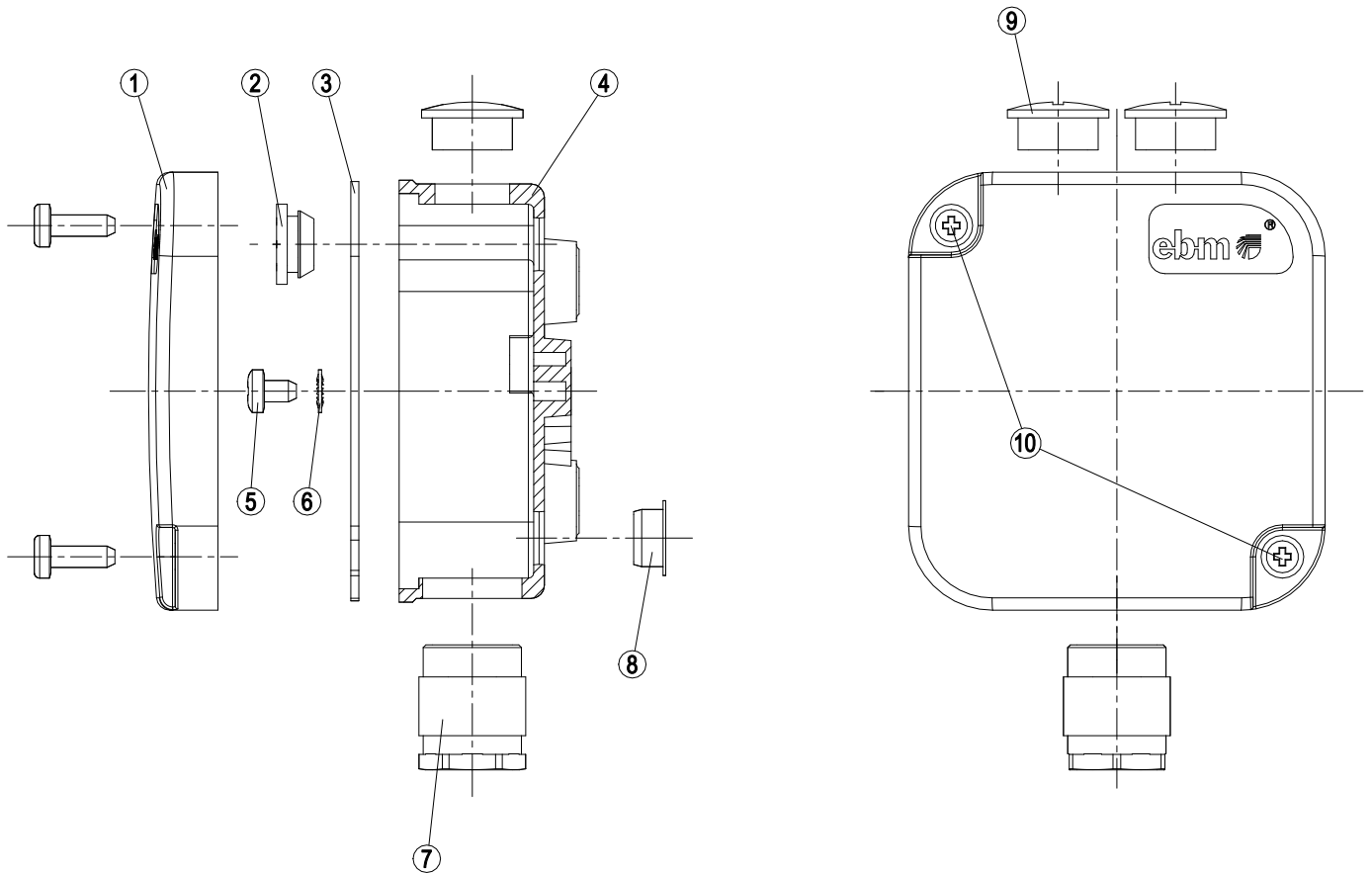
Product drawing



| | |
|---|----------------------------------|
| 1 | Direction of air flow "A" |
| 2 | Max. clearance for screw 5 mm |
| 3 | Cable PVC 7G 0.5 mm ² |
| | 6x splice |
| | 1x ring terminal, dia. 4.3 (PE) |



Accessory part



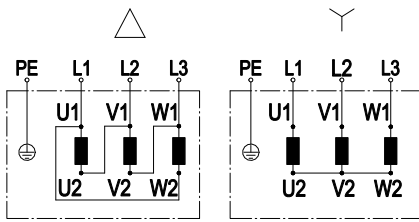
Accessory parts, included separately:

| | |
|----|---|
| 1 | Terminal box cover |
| 2 | Grommet |
| 3 | Seal |
| 4 | Base of terminal box |
| 5 | Oval-head screw |
| 6 | Toothed lock washer |
| 7 | Cable gland, cable diameter min. 8 mm, max. 10 mm, tightening torque 1.3 ± 0.2 Nm |
| 8 | Stopper |
| 9 | Screw plugs (2x), tightening torque 1.3 ± 0.2 Nm |
| 10 | 2x oval-head screws, tightening torque 1.3 ± 0.2 Nm |

AC axial fan

straight blades (A series), single-intake

Connection diagram

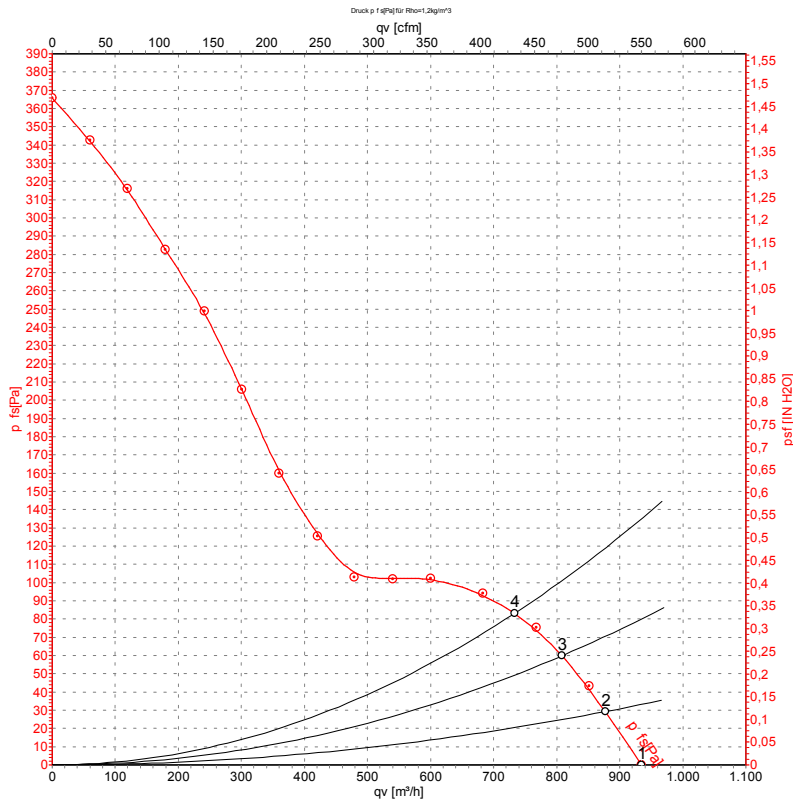


Change of rotation direction by reversing two phases

| | | | | | |
|----|-------------------|----|------------------|----|-----------------|
| | Three-phase motor | Δ | Delta connection | Y | Star connection |
| L1 | = U1 = black | L2 | = V1 = blue | L3 | = W1 = brown |
| U2 | green | V2 | white | W2 | yellow |
| PE | green/yellow | | | | |



Curves: Air performance 60 Hz



Measurement: LU-141894-1

Air performance measured according to ISO 5801 installation category A. For detailed information on the measurement setup, contact ebm-papst. Intake sound level: Sound power level according to ISO 13347 / sound pressure level measured at 1 m distance from fan axis. The values given are valid under the specified measuring conditions and may vary due to conditions of installation. For deviations from the standard configuration, the parameters have to be checked on the installed unit.

Measured values

| | U | f | n | P _e | I | q _v | p _{fs} | q _v | p _{fs} |
|---|-----|----|-------------------|----------------|------|-------------------|-----------------|----------------|-----------------|
| | V | Hz | min ⁻¹ | W | A | m ³ /h | Pa | cfm | in. wg |
| 1 | 500 | 60 | 3150 | 70 | 0.11 | 935 | 0 | 550 | 0.00 |
| 2 | 500 | 60 | 3130 | 72 | 0.11 | 875 | 30 | 515 | 0.12 |
| 3 | 500 | 60 | 3110 | 74 | 0.11 | 810 | 60 | 475 | 0.24 |
| 4 | 500 | 60 | 3100 | 75 | 0.11 | 735 | 83 | 430 | 0.33 |

U = Voltage · f = Frequency · n = Speed (rpm) · P_e = Power consumption · I = Current draw · q_v = Air flow · p_{fs} = Pressure increase

