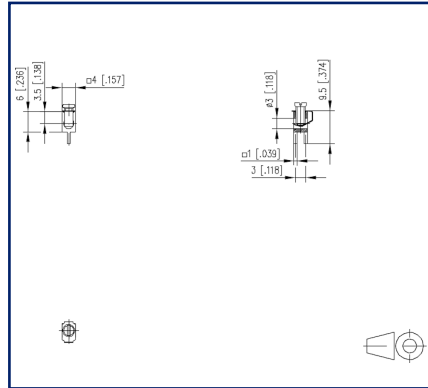


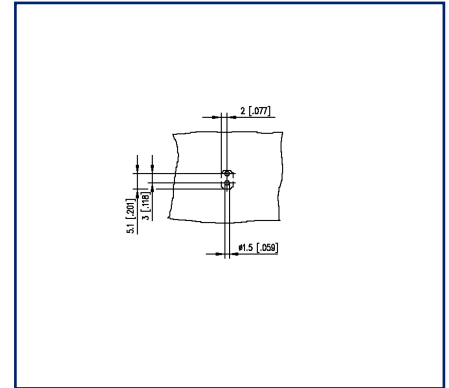
Illustrations



Dimensional drawing



Drill pattern



See enlarged drawings at the end of document

Product specification

- screw type terminal block, solderable, double solder pins
- direction of connection 90°
- wire protector
- color metallike
- open construction, screw brought down by hand (transport safety)

Technical Data

General Data

Tightening torque SEV	0.5 Nm
Tightening torque UL	4.4 lb-in
Solder pin length	3.5 mm
min. number of poles	1
max. number of poles	1

Terminal data

rat.wiring solid AWGmax	0.13 mm ² - 2 mm ² / AWG 26 - AWG 14
rat.wiring strand.AWGmax	0.13 mm ² - 1.5 mm ² / AWG 26 - AWG 14

Approvals

/	
approval UL - File No.	15 A / 26 - 14 E130077

Material

terminal body thread	M2.6
terminal body material	CuZnPb
terminal body surface	Ni + Sn
screw thread	M2.6
screw material	4,8
screw surface	Zn Cr(VI)-frei/free
wire protector material	CuSn
wire protector surface	Sn

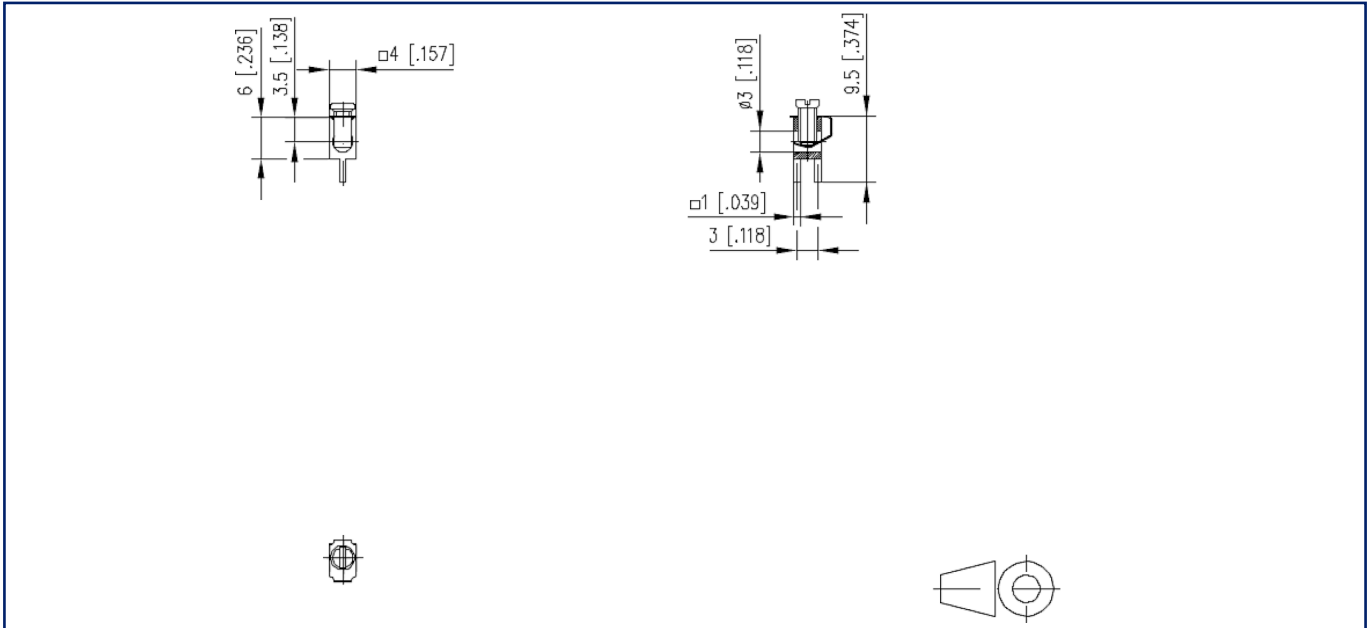
general

Tolerance	ISO 2768 -mH
Solderability	Acc. to JEDEC JESD22-B102E 245°C/5s



Illustrations

Dimensional drawing



Drill pattern

