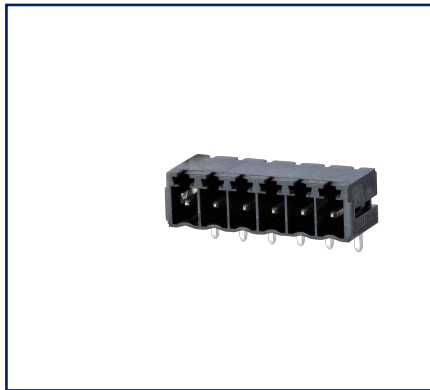
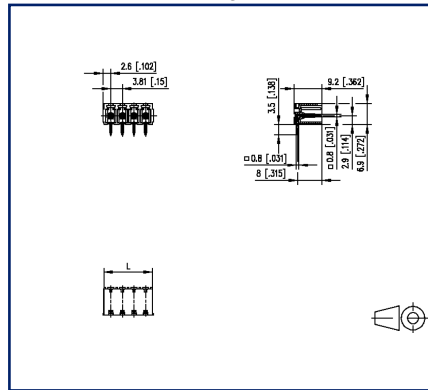


Data sheet
PR044xxHBBN Type 190

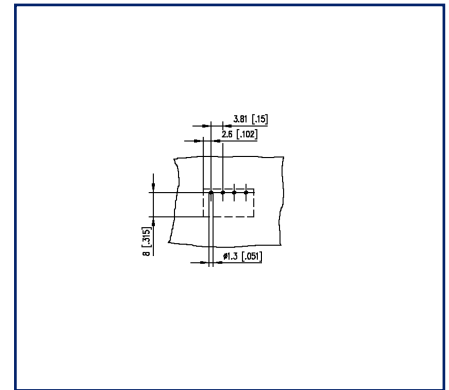
Illustrations



Dimensional drawing



Drill pattern



See enlarged drawings at the end of document

Product specification

- pin header, THR solderable
- centerline 3.81 mm, direction of connection 90°
- closed ends
- color black
- Tape & Reel packaging possible
- codeable




Technical Data


General Data

Solder pin length	3.5 mm		
min. number of poles	2		
max. number of poles	12		
Insulating material class	CTI 600		
clearance/creepage dist.	3.01 mm		
Protection category	IP00		
Rated current	10 A		
Overvoltage category	III	III	II
Pollution degree	3	2	2
Rated voltage	200 V	500 V	500 V
Rated test voltage	4 kV	4 kV	4 kV

Approvals

 V / A	300 / 8
---	---------

approval UL - File No.	E121004
------------------------	---------

 1.5 mm ²	130 V / 2.5 kV / 10 A / 0.8 x 0.8 mm
---	--------------------------------------

Material

insulating material	PA66/6T
flammability class	V0
contact pin material	CuMg
contact pin surface	Ni + Sn
Glow-Wire Flammability GWFI	960 °C acc. to IEC 60695-2-12
Glow-Wire Flammability GWIT	775 °C acc. to IEC 60695-2-13

Climatic Data

upper limit temperature	105 °C
lower limit temperature	-40 °C

general

Tolerance	ISO 2768 -mH
Solderability	reflowable

U | Contact

Data sheet
PR044xxHBBN Type 190

Page 3/6

P/N
311901xx

xx=number of poles

2023/06/26

Version: Y

Accessories

P/N	Designation
700333-01-1216	LED-light transmitter for headers, pluggable
700333-02-1216	LED-light transmitter for headers, pluggable
700333-03-1216	LED-light transmitter for headers, pluggable
720293-01-2	Coding Star for pin header, centerline 3.81 mm



U | Contact

Data sheet PR044xxHBBN Type 190

Page 4/6

P/N
311901xx

xx=number of poles

2023/06/26

Version: Y

Counterpart of

P/N	Designation
311131	RP034xxHBLO Type 113
311141	RP034xxHBLN Type 114
313691	RP034xxVBLN Type 369
ASP044	SP044xxVBNN ASP044
ASP064	SP064xxVGNN ASP064

U | Contact

Data sheet
PR044xxHBBN Type 190

Page 5/6

P/N
311901xx

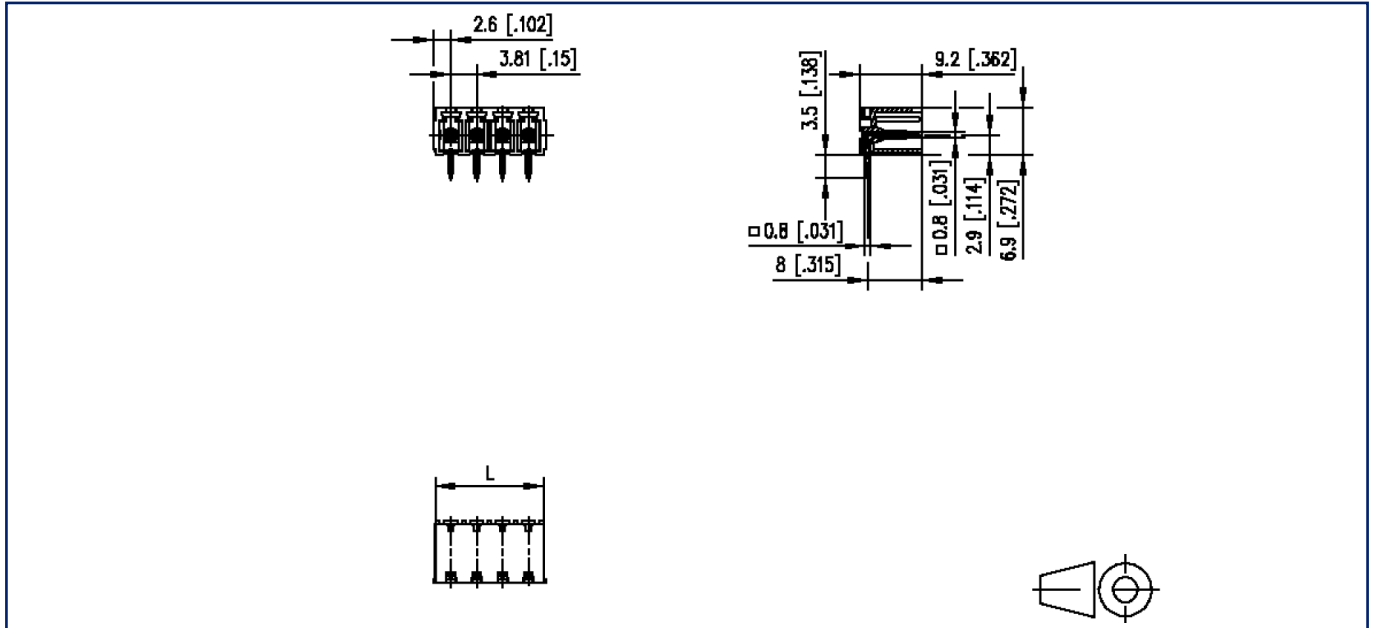
xx=number of poles

2023/06/26

Version: Y

Illustrations

Dimensional drawing



$L = (\text{pole size} - 1) \times \text{centerline} + 5.2 \text{ mm} [0.205]$

© 2023 METZ CONNECT - Technische Änderungen vorbehalten! Subject to modifications! Sous réserve de modifications techniques!

Illustrations

Drill pattern

