

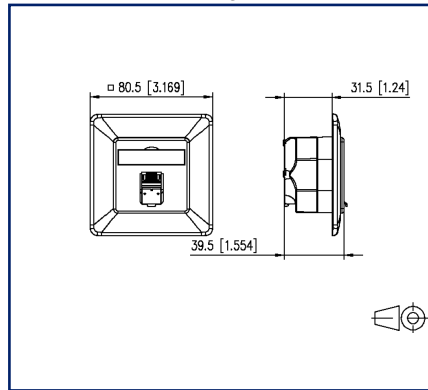
Data sheet

E-DAT C6_A 1 port UP pure white

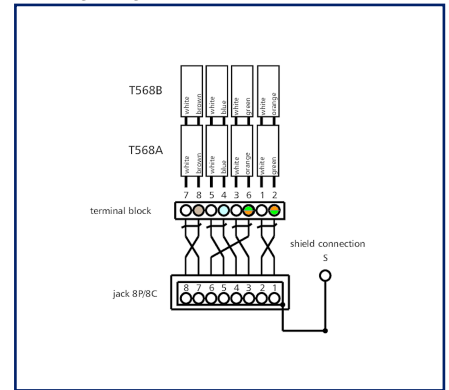
Illustrations



Dimensional drawing



Wiring diagram



See enlarged drawings at the end of document

Product specification

Compact wall outlet for the construction of a passive network infrastructure with the highest quality requirements. The junction box is suitable for connecting telephones up to 10 Gbit networks and power supply with PoE with up to 90W. The installer can connect the very robust zinc die-cast wall outlet very easily and in the shortest possible time with an LSA installation tool without errors. In addition to the permanent quality control during production, independent test laboratories confirm the very good quality with various certificates. The wall outlets are supplied in retail-friendly, separable cardboard packaging with 10 pieces each.

- variants, mounting type: AP, UP, UPk, UP0
- variants, number of ports: 1, 2

P | Cabling

Data sheet

Page 2/10

E-DAT C6_A 1 port UP pure white

P/N

130C371002-I

EAN 4250184118442

2023/04/14

Version: AJ

Technical Data

General Data

| | |
|---|--|
| Fields of application | structured building cabling office areas Distributed building services |
| Mechanical measurement according to MICE | M1 |
| Ingress measurement according to MICE | I1 |
| Climatic measurement according to MICE | C1 |
| Electromagnetic measurement according to MICE | E2 |
| Design | wall outlet |
| Mounting style | UP |
| Mounting in standard flush-mounted and cavity wall cups | yes |
| Shielding | shielded |
| Transmission technology | Copper |
| Wiring | T568A, T568B |
| Color | Pure white RAL 9010 |
| Compatible with design centerpieces of switch programs | yes, see compatibility list |
| Dimensions | |
| Dimension (L x W x H) | 31.5 mm x 80.5 mm x 80.5 mm |
| Dimension (L x W x H) | 1.24 in. x 3.169 in. x 3.169 in. |
| Labeling option | label window with identification label |
| Marking option | by dust protection |

Transmission characteristics

| | |
|-----------------|----------------|
| Category (ISO) | 6 _A |
| Class (ISO/IEC) | E _A |
| Category (TIA) | 6A |
| Remote Powering | yes |
| PoE | IEEE 802.3af |
| PoE plus | IEEE 802.3at |
| UPoE | yes |
| 4PPoE | IEEE 802.3bt |
| HDBaseT | yes |
| SAT-IP | yes |



P | Cabling

Data sheet

E-DAT C6_A 1 port UP pure white

Page 3/10

P/N

130C371002-I

EAN 4250184118442

2023/04/14

Version: AJ

Technical Data

Transmission characteristics

| | |
|--|--------------|
| AVoverIP | yes |
| Transmission rate up to 100 MBit (Fast Ethernet) | IEEE 802.3bw |
| Transmission rate up to 1 GBit (Fast Ethernet) | IEEE 802.3ab |
| Transmission rate up to 10 GBit | IEEE 802.3an |

Connections/interfaces

| | |
|--|---|
| Connector technology interface 1 | LSA terminal block |
| Connector technology interface 2 | RJ45-jack |
| Number of ports interface 2 | 1 |
| Number of positions/contacts interface 1 | 8 |
| Number of positions/contacts interface 2 | 8P/8C |
| Number of ports with dust protection interface 2 | 1 |
| Termination data, solid wire (min. - max.) | |
| Conductor cross section, solid wire | AWG 26/1 - AWG 22/1 |
| Conductor cross section, solid wire | 0.128 mm ² - 0.324 mm ² |
| Conductor diameter, solid wire (bare copper) | 0.409 mm - 0.643 mm |
| Conductor diameter, solid wire (bare copper) | 0.016 in. - 0.025 in. |
| Cable sheath diameter (min. - max.) | |
| Cable sheath diameter | 5.5 mm - 10 |
| Cable sheath diameter | 0.197 in. - 0.394 |
| Module plug-in direction | 45° downwards |
| Cable access/outlet | 8 directions |
| Ground connection | 6.3 mm flat plug |
| Shield connection | flexible contact spring |

Elektrische/ Optische Eigenschaften

| | |
|---|-------------------|
| Current carrying capacity | max. 1 A at 60 °C |
| Rated voltage | max. 60 V DC |
| Contact resistance | max. 20 mOhm |
| Through resistance | max. 200 mOhm |
| Insulation resistance | min. 500 MOhm |
| Dielectric strength conductor-conductor (secondary) | max. 1000 V DC |
| Dielectric strength conductor-conductor, peak value (secondary) | max. 1.000 V AC |



P | Cabling

Data sheet

Page 4/10

E-DAT C6_A 1 port UP pure white

P/N

130C371002-I

EAN 4250184118442

2023/04/14

Version: AJ

Technical Data

Elektrische/ Optische Eigenschaften

| | |
|--|----------------|
| Dielectric strength conductor-shield | max. 1500 V DC |
| Dielectric strength conductor-shield, peak value | max. 1500 V AC |

Mechanical data

| | |
|--|--------------|
| Insertion and withdrawal force | max. 30 N |
| Life - Number of mating cycles | min. 750 |
| Position/mounting of latch standard installation position | top |
| strain relief | housing flap |

Materials and material properties

| | |
|-----------------------------|-----------------------|
| Material - Housing | Plastics |
| Material - Cover part(s) | ABS |
| Material - Supporting frame | GD-Zn (zinc die-cast) |
| Material - Label window | ABS, transparent |
| Material - Dust protection | ABS |
| Material - Contact | Hyper Ph-Br |
| Material - Contact finish | AuCo |
| Material - Shield | CuSn6 |
| Material - Shield finish | tinned |
| Halogen free | yes |
| RoHS | compliant |

Environmental conditions

| | |
|----------------------------|-----------------|
| Temperature (min. - max.) | |
| Temperature - Storage °C | -40 °C - 70 °C |
| Temperature - Storage °F | -40 °F - 158 °F |
| Temperature - Operating °C | -40 °C - 70 °C |
| Temperature - Operating °F | -40 °F - 158 °F |
| IP class | IP20 |

P | Cabling

Data sheet E-DAT C6_A 1 port UP pure white

Page 5/10

P/N
130C371002-I
EAN 4250184118442
2023/04/14
Version: AJ

Technical Data

Certifications

GHMT Type Approval



Component

Standards/Regulations

Generic cabling systems

| | |
|-------------------------------|--|
| General requirements | ISO/IEC 11801-1:2017-11 DIN EN 50173-1:2018-10 ANSI/TIA-568.2-D |
| Office buildings | ISO/IEC 11801-2:2017-11 DIN EN 50173-2:2018-10 ANSI/TIA-568.2-D |
| Living units | ISO/IEC 11801-4:2017-11 DIN EN 50173-4:2018-10 ANSI/TIA-570-D |
| Distributed building services | ISO/IEC 11801-6:2017-11 DIN EN 50173-6:2018-10 ANSI/TIA-862-B |

Connectors for electronic equipment

| | |
|---------------------------|---|
| Free and fixed connectors | DIN EN 60603-7-51:2011-01, DIN EN 60603-7:2019-11, DIN EN 60603-7-1:2012-01 |
|---------------------------|---|

Connectors for electronic equipment - Tests and measurements

| | |
|---|--|
| Test standard for connectors (engaging and separating connectors under electrical load) | DIN-EN 60512-99-001, DIN-EN 60512-99-002 |
| Endurance tests | DIN EN 60603-7:2019-11, DIN EN 60603-7-1:2012-01 |
| Degrees of Protection Provided by Enclosures | IEC 60529 |
| Climate tests | DIN EN 60603-7:2019-11, DIN EN 60603-7-1:2012-01 |
| Cover plates for installation devices 1 | DIN 49075-1:1989-10 |
| Cover plates for installation devices 2 | DIN 49075-2:1989-10 |

Classifications

| | |
|----------|----------|
| ETIM 5.0 | EC001264 |
| ETIM 6.0 | EC001264 |
| ETIM 7.0 | EC001264 |
| ETIM 8.0 | EC001264 |
| ETIM 9.0 | EC001264 |

P | Cabling

Data sheet

Page 6/10

E-DAT C6_A 1 port UP pure white

P/N

130C371002-I

EAN 4250184118442

2023/04/14

Version: AJ

Technical Data

Packing details

| | |
|---------------------------------|------------------------------------|
| Type of packaging | 10 pc(s) / box |
| Packaging unit - Weight (gram) | 1607 g |
| Packaging unit - Weight (pound) | 3.54 lb |
| Packaging dimension | 283 mm x 180 mm x 85 mm |
| Packaging dimension | 11.142 in. x 7.087 in. x 3.346 in. |

P | Cabling

Data sheet

Page 7/10

E-DAT C6_A 1 port UP pure white

P/N

130C371002-I

EAN 4250184118442

2023/04/14

Version: AJ

Accessories

| P/N | Designation |
|---------------|--|
| 130829-02-I | Surface mount frame 85 x 85 mm - Single, pure white |
| 130829-4302-I | Surface mount frame 85 x 85 x 43 mm - single, pure white |
| 1308895010-I | T-Slot mounting bracket for wall outlets - horizontal mounting 50 mm, without separation cup |
| 1308895011-I | T-Slot mounting bracket for wall outlets - horizontal mounting 50 mm, with separation cup |
| 1308895020-I | DIN Rail mounting bracket for wall outlets - horizontal mounting 50 mm, without separation cup |
| 1308895021-I | DIN Rail mounting bracket for wall outlets - horizontal mounting 50 mm, with separation cup |
| 1308895040-I | T-Slot mounting bracket for wall outlets - vertical mounting 50 mm, without separation cup |
| 1308895041-I | T-Slot mounting bracket for wall outlets - vertical mounting 50 mm, with separation cup |
| 1308895220-I | DIN rail mounting bracket for wall outlets - horizontal mounting 52 mm, without separation cup |
| 1308895221-I | DIN rail mounting bracket for wall outlets - horizontal mounting 52 mm, with separation cup |
| 1308895510-I | T-Slot mounting bracket for wall outlets - horizontal mounting 55 mm, without separation cup |
| 1308895511-I | T-Slot mounting bracket for wall outlets - horizontal mounting 55 mm, with separation cup |
| 1308895520-I | DIN rail mounting bracket for wall outlets - horizontal mounting 55 mm, without separation cup |
| 1308895521-I | DIN rail mounting bracket for wall outlets - horizontal mounting 55 mm, with separation cup |
| 1308895540-I | T-Slot mounting bracket for wall outlets - vertical mounting 55 mm, without separation cup |
| 1308895541-I | T-Slot mounting bracket for wall outlets - vertical mounting 55 mm, with separation cup |
| 130889ADTK-I | Mounting bracket ADTK for OBO |
| 130889ADTSA-I | Mounting bracket ADTSA for OBO |
| 130889FKH-I | Mounting bracket FR for Kleinhuis |
| 130889FNI-I | Mounting bracket FR for Niedax |
| 130889FTE-I | Mounting bracket FR for Tehalit |
| 816718-0102-I | Cover plate 80 x 80 mm pure white, E-DAT C6 |
| 820394-0105-I | Dust protection covers for wall outlets yellow |
| 820394-0106-I | Dust protection covers for wall outlets blue |

P | Cabling

Data sheet

E-DAT C6_A 1 port UP pure white

Page 8/10

P/N

130C371002-I

EAN 4250184118442

2023/04/14

Version: AJ

Accessories

| | |
|---------------|---|
| 820394-0107-I | Dust protection covers for wall outlets green |
| 820394-0108-I | Dust protection covers for wall outlets red |
| 899650-01 | Label sheet for wall outlets |

P | Cabling

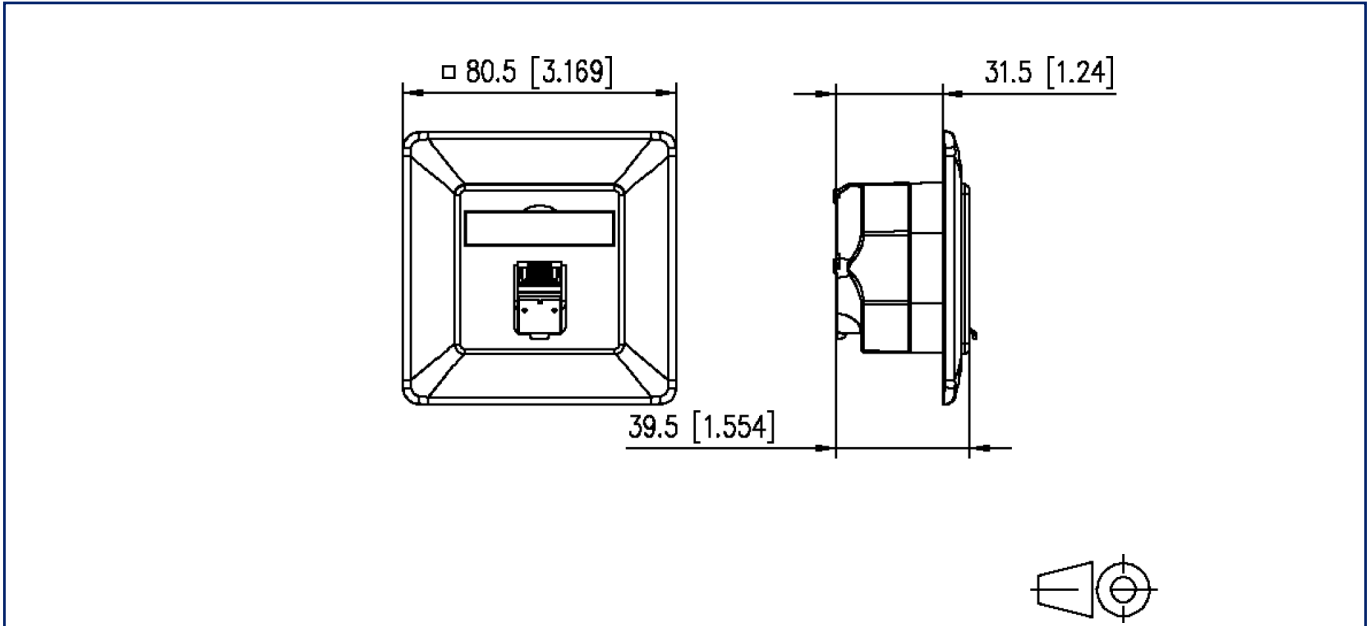
Data sheet
E-DAT C6_A 1 port UP pure white

Page 9/10

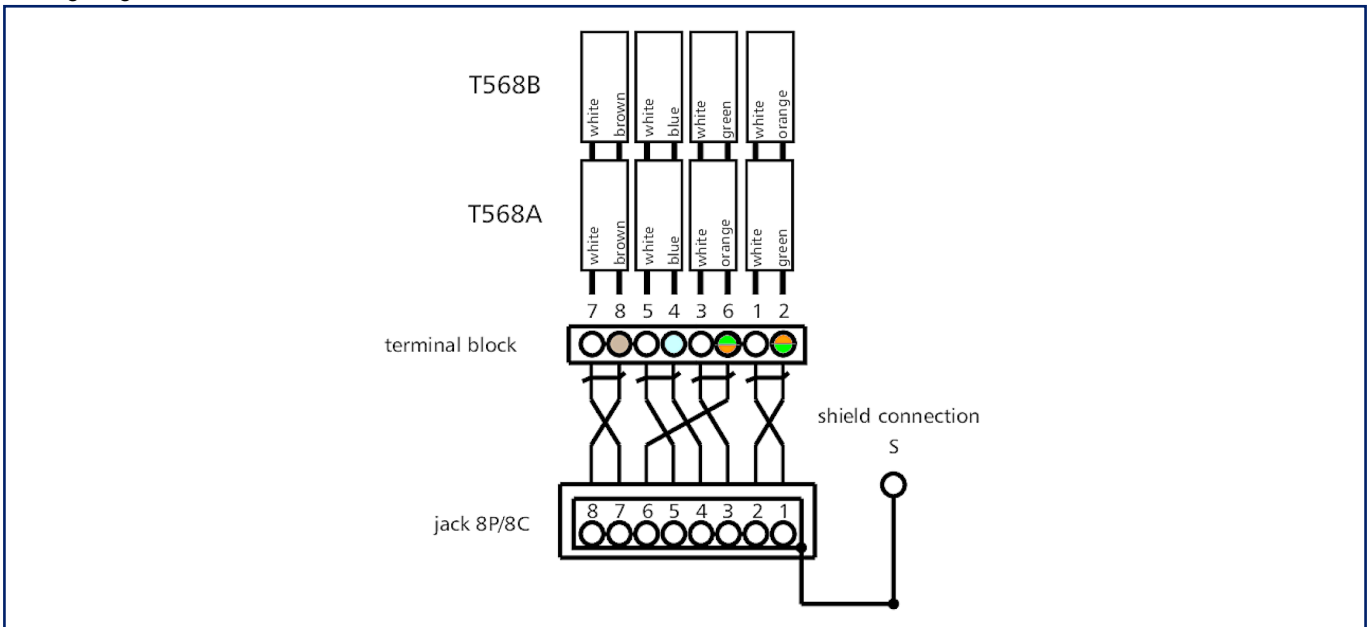
P/N
130C371002-I
EAN 4250184118442
2023/04/14
Version: AJ

Illustrations

Dimensional drawing



Wiring diagram



P | Cabling

Data sheet

E-DAT C6_A 1 port UP pure white

Page 10/10

P/N

130C371002-I

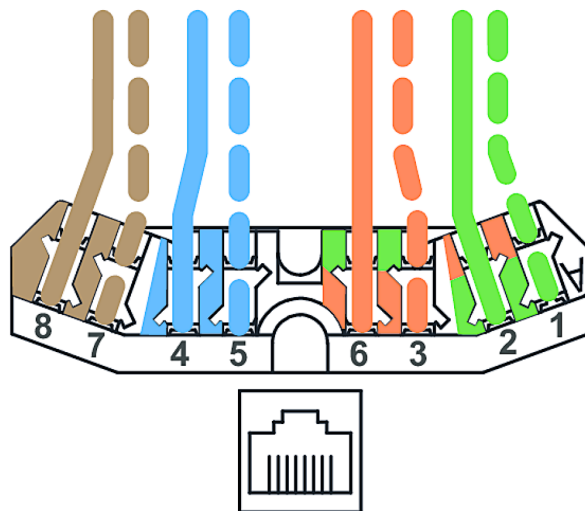
EAN 4250184118442

2023/04/14

Version: AJ

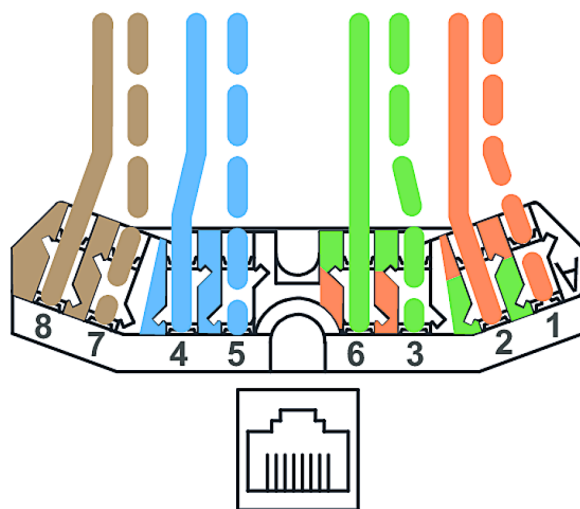
Illustrations

Wiring diagram



T568A

Wiring diagram



T568B

