

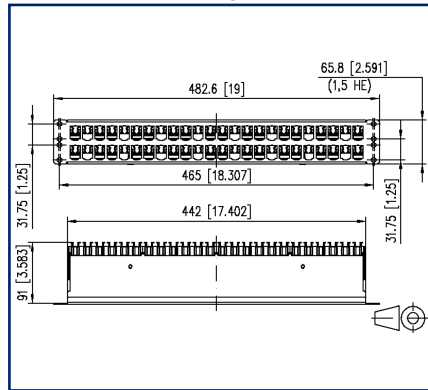
## Data sheet

### Modul 19 inch module frame 1.5RU 48 port stainless steel unequipped

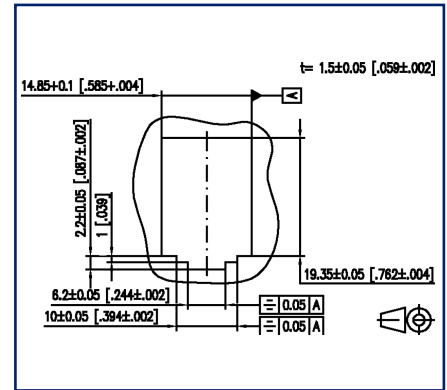
## Illustrations



Dimensional drawing



Drill pattern



See enlarged drawings at the end of document

## Product specification

- 19 inch 1.5RU stainless steel module frame for 48 modules
- optional strain relief on patch panel using cable ties
- grounding bolt M6 x 10 with nut and lock washer
- incl. 30 cm grounding cable
- all fully shielded modules are connected by means of the stainless steel module frame
- mounting version: Modul

# P | Cabling

Data sheet

Page 2/6

## Modul 19 inch module frame 1.5RU 48 port stainless steel unequipped

P/N  
130924-00-E

EAN 4250184106203

2023/04/14

Version: P

### Technical Data

#### General Data

Fields of application	office areas
Mechanical measurement according to MICE	M1
Ingress measurement according to MICE	I1
Climatic measurement according to MICE	C1
Electromagnetic measurement according to MICE	E3
Design	patch panel
Color	stainless steel
Dimensions	
Dimension (L x W x H)	91 mm x 482.6 mm x 65.8 mm
Dimension (L x W x H)	3.583 in. x 19 in. x 2.591 in.
Inches	19 inches
Height unit	1.5RU
Modularity	yes
Labeling option	printed numbers

#### Connections/interfaces

Number of ports interface 1	48
Number of equipped ports interface 1	0
Number of ports interface 2	48
Number of ports interface 2 equipped	0
Grounding wire length	0.3 m
Grounding wire length	0.98 ft
Ground connection	grounding bolt M6x10 with nut and lock washer

#### Mechanical data

Cut-out	module
---------	--------

#### Materials and material properties

Material - Module support	stainless steel
Material - Cable guide	ABS
Halogen free	yes
RoHS	compliant

# P | Cabling

Data sheet

Page 3/6

## Modul 19 inch module frame 1.5RU 48 port stainless steel unequipped

P/N  
130924-00-E

EAN 4250184106203

2023/04/14

Version: P

### Technical Data

#### Environmental conditions

Temperature (min. - max.)

Temperature - Storage °C -40 °C - 70 °C

Temperature - Storage °F -40 °F - 158 °F

Temperature - Operating °C -40 °C - 70 °C

Temperature - Operating °F -40 °F - 158 °F

#### Classifications

ETIM 5.0 EC001128

ETIM 6.0 EC001128

ETIM 7.0 EC002006

ETIM 8.0 EC002006

ETIM 9.0 EC002006

#### Packing details

Type of packaging 5 pc(s) / box

Packaging unit - Weight (gram) 1435 g

Packaging unit - Weight (pound) 3.16 lb

Packaging dimension 540 mm x 165 mm x 65 mm

Packaging dimension 21.26 in. x 6.496 in. x 2.559 in.

# P | Cabling

Data sheet

Page 4/6

## Modul 19 inch module frame 1.5RU 48 port stainless steel unequipped

P/N  
130924-00-E

EAN 4250184106203

2023/04/14

Version: P

### Accessories

P/N	Designation
130792	Mounting kit, cage nuts M6
130898-00-I	BLIND module light gray
130898-00-RW-I	BLIND module pure white
130898-01-I	COAX modul F jack / F jack
130898-02-I	COAX modul IEC jack / F jack
130898-03-I	COAX modul IEC plug / F jack
130908-I-B1	UAE modul Cat.5e white
130909-I	UAE modul Cat.6 jack T568A white
130910-I	E-DAT modul Cat.6 <sub>A</sub> 8(8) jack, T568A
130910-I-B1	E-DAT modul Cat.6 <sub>A</sub> 8(8) jack, T568B
130910-Z	E-DAT modul Cat.6 <sub>A</sub> 8(8) jack, T568A (12 pcs)
1309A0-I	E-DAT modul coupler 8(8) 180° class E <sub>A</sub>
130A11-29-I	UAE modul 8(8) Cat.6 <sub>A</sub> black
130A11-I	UAE modul 8(8) Cat.6 <sub>A</sub> white
130B11-25-E	25Gmodul
130B11-25-Z	25Gmodul (12 pcs)
130B11-E	C6 <sub>A</sub> modul 180° jack
130B11-Z	C6 <sub>A</sub> modul 180° jack (12 pcs)
15091001-I	OpDAT modul ST OS2
15091071-I	OpDAT modul LC-Duplex OS2
15091072-I	OpDAT modul LC-Duplex OM3
15091075-I	OpDAT modul LC-Duplex OM4
15091076-I	OpDAT modul LC-Duplex APC OS2
1509107B-I	OpDAT modul LC-Duplex OM2
820032-0102-I	Dust protection cover for C6 <sub>A</sub> modul pure white
820032-0103-I	Dust protection cover for C6 <sub>A</sub> modul light gray
820032-0105-I	Dust protection cover for C6 <sub>A</sub> modul yellow
820032-0107-I	Dust protection cover for C6 <sub>A</sub> modul green
820032-0108-I	Dust protection cover for C6 <sub>A</sub> modul red
820032-0129-I	Dust protection cover for C6 <sub>A</sub> modul black

# P | Cabling

Data sheet

Page 5/6

**Modul 19 inch module frame 1.5RU 48 port  
stainless steel unequipped**

P/N  
130924-00-E

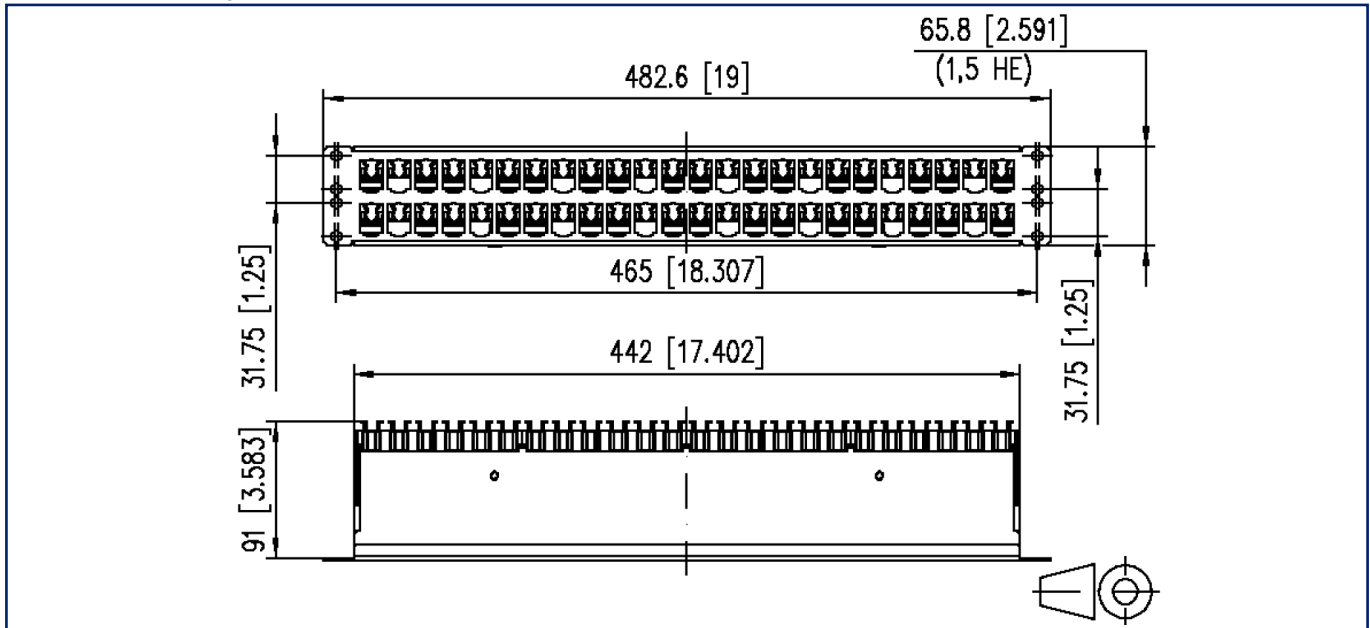
EAN 4250184106203

2023/04/14

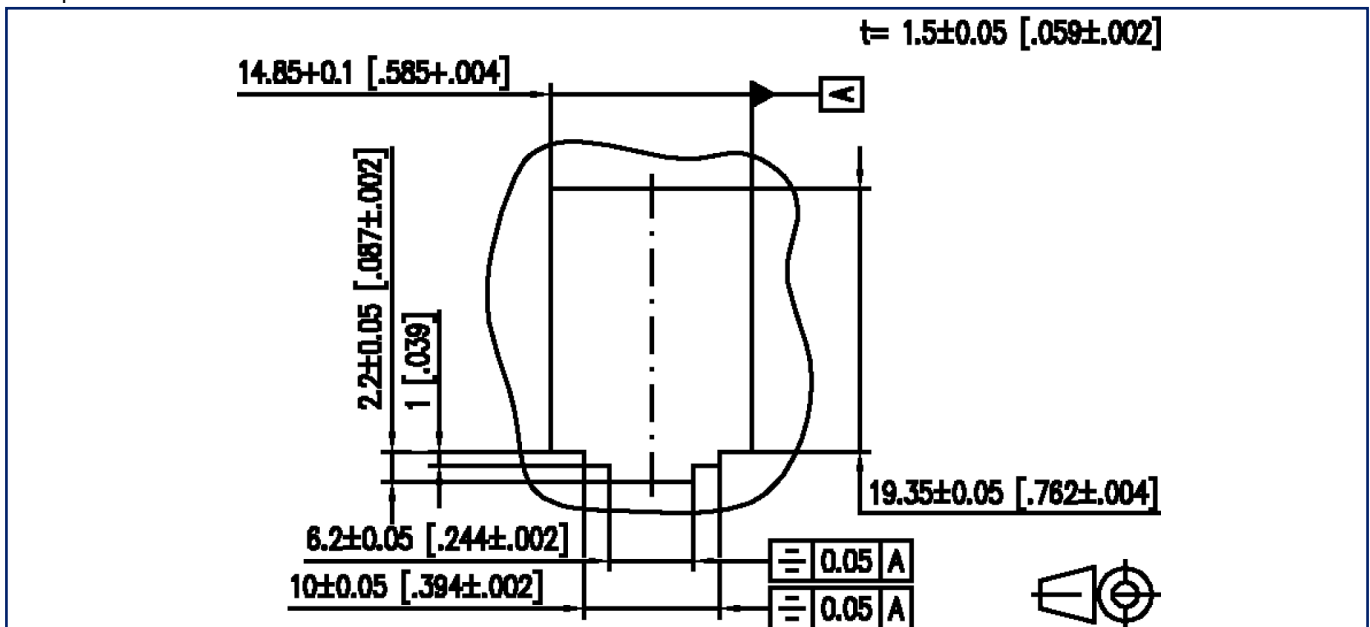
Version: P

## Illustrations

Dimensional drawing



Drill pattern



# P | Cabling

Data sheet

Page 6/6

**Modul 19 inch module frame 1.5RU 48 port  
stainless steel unequipped**

P/N  
130924-00-E

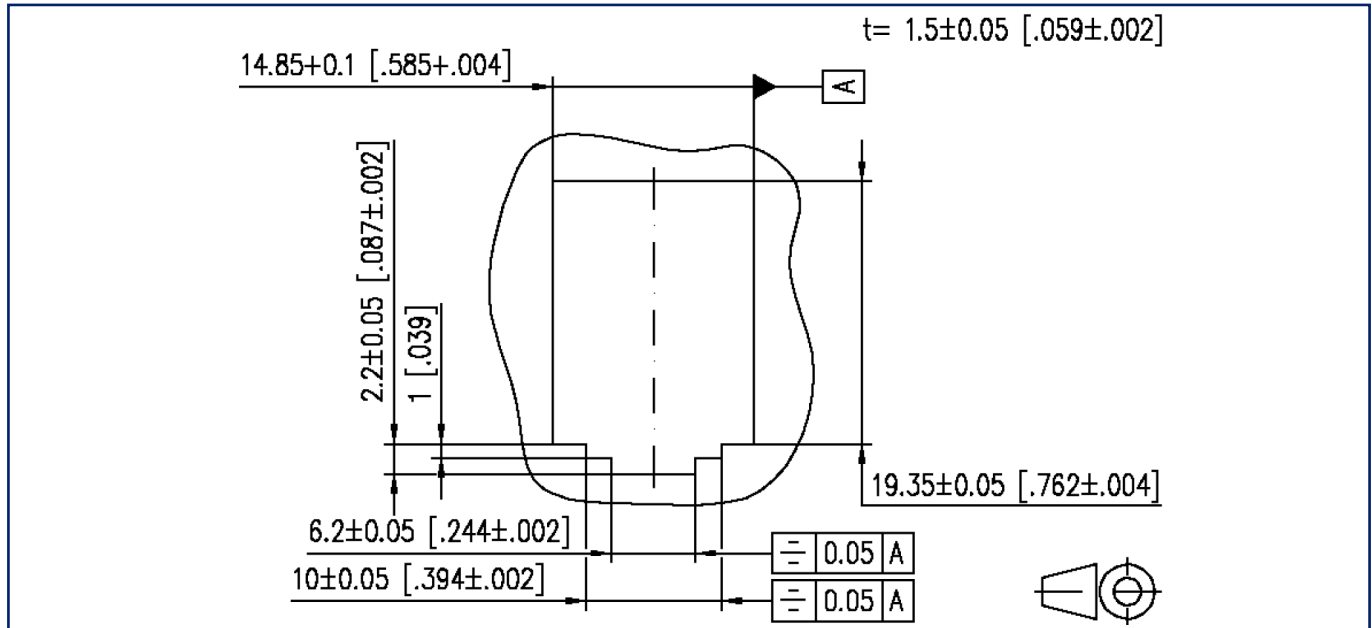
EAN 4250184106203

2023/04/14

Version: P

## Illustrations

Cut-out



© 2023 METZ CONNECT - Technische Änderungen vorbehalten! Subject to modifications! Sous réserve de modifications techniques!

