

Data sheet

E-DAT modul Cat.6_A K jack - Keystone style

Page 1/9

P/N
130910KI

EAN 4250184181002

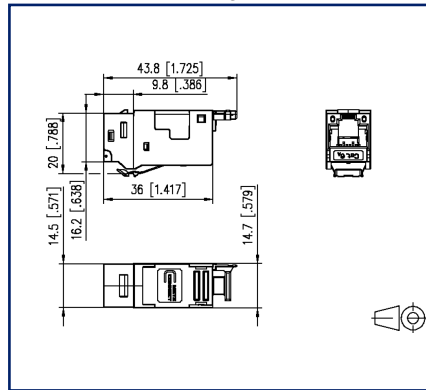
2023/08/08

Version: AV

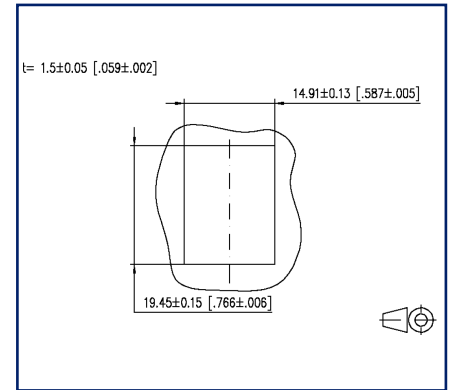
Illustrations



Dimensional drawing



Cut-out



See enlarged drawings at the end of document

Product specification

- modular termination unit Cat.6_A, RJ45
- Cat.6_A component test according to ISO/IEC 11801, DIN EN 50173-1, ANSI/TIA-568.2-D and IEC 60603-7-51, GHMT certified
- compliance with class E_A according to ISO/IEC 11801, DIN EN 50173-1
- tested: Link up to 500 MHz
- easy to install connection of 2 to 4 pair data cables
- AWG 26/1 to 22/1 (solid wire) and stranded wires with 7 copper conductors AWG 26/7 to 22/7 to insulation displacement connectors (IDC)
- marking of conductor assignment to T568A and T568B
- easy and fast insertion of wire pairs in E-DAT modul stuffer cap
- module housing made of refined zinc die-casting
- mounting without special tools
- strain relief with cable tie at the module
- mounting version: Keystone
- cable feed 180°
- delivery in a 10-piece set, available separately



P | Cabling

Data sheet

Page 2/9

E-DAT modul Cat.6_A K jack - Keystone style

P/N
130910KI

EAN 4250184181002

2023/08/08

Version: AV

Technical Data

General Data

| | |
|---|-----------------------------------|
| Fields of application | office areas |
| Mechanical measurement according to MICE | M1 |
| Ingress measurement according to MICE | I1 |
| Climatic measurement according to MICE | C1 |
| Electromagnetic measurement according to MICE | E2 |
| Design | Jack |
| Shielding | shielded |
| Transmission technology | Copper |
| Wiring | T568A, T568B |
| Color | metallike |
| Dimensions | |
| Dimension (L x W x H) | 43.85 mm x 14.7 mm x 22.4 mm |
| Dimension (L x W x H) | 1.726 in. x 0.579 in. x 0.882 in. |
| Weight | 41.3 g |
| Weight | 0.0911 lb |
| Modularity | yes |
| Field assembly ability | yes |

Transmission characteristics

| | |
|---------------------------------|----------------|
| Category (ISO) | 6 _A |
| Class (ISO/IEC) | E _A |
| Category (TIA) | 6A |
| Remote Powering | yes |
| PoE | IEEE 802.3af |
| PoE plus | IEEE 802.3at |
| UPoE | yes |
| 4PPoE | IEEE 802.3bt |
| HDBaseT | yes |
| Transmission rate up to 10 GBit | IEEE 802.3an |



Technical Data

Connections/interfaces

| | |
|---|---|
| Connector technology interface 1 | IDC-connection |
| Connector technology interface 2 | RJ45-jack |
| Number of ports interface 1 | 1 |
| Number of ports interface 2 | 1 |
| Number of equipped ports interface 1 | 1 |
| Number of ports interface 2 equipped | 1 |
| Number of positions/contacts interface 1 | 8 |
| Number of positions/contacts interface 2 | 8P/8C |
| Termination data, solid wire (min. - max.) | |
| Conductor cross section, solid wire | AWG 26/1 - AWG 22/1 |
| Conductor cross section, solid wire | 0.128 mm ² - 0.324 mm ² |
| Conductor diameter, solid wire (bare copper) | 0.409 mm - 0.643 mm |
| Conductor diameter, solid wire (bare copper) | 0.016 in. - 0.025 in. |
| Termination data, stranded wire (min. - max.) | |
| Conductor cross section, stranded wire | AWG 26/7 - AWG 22/7 |
| Conductor cross section, stranded wire | 0.141 mm ² - 0.355 mm ² |
| Conductor diameter, stranded wire (bare copper) | 0.483 mm - 0.762 mm |
| Conductor diameter, stranded wire (bare copper) | 0.019 in. - 0.03 in. |
| Cable sheath diameter (min. - max.) | |
| Cable sheath diameter | 5.5 mm - 10.00 |
| Cable sheath diameter | 0.197 in. - 0.394 |
| Cable access/outlet | 180° |
| Shield connection | flexible contact spring |

Electrical characteristics

| | |
|---|----------------|
| Current carrying capacity | max. 1 A |
| Rated voltage | max. 50 V |
| Contact resistance | max. 20 mOhm |
| Through resistance | max. 200 mOhm |
| Insulation resistance | min. 500 MOhm |
| Dielectric strength conductor-conductor (secondary) | min. 1000 V DC |



P | Cabling

Data sheet

Page 4/9

E-DAT modul Cat.6_A K jack - Keystone style

P/N

130910KI

EAN 4250184181002

2023/08/08

Version: AV

Technical Data

Mechanical data

| | |
|--|------------------------------------|
| Cut-out | Keystone |
| Mounting method | snap-in function |
| Insertion and withdrawal force | max. 20 N |
| Position/mounting of latch standard installation position | top |
| strain relief | with cable tie, attached to module |

Materials and material properties

| | |
|-----------------------------|-----------------------|
| Material - Housing | GD-Zn (zinc die-cast) |
| Material - Contact | Spring steel |
| Material - Contact finish | Ni + Au (nickel-gold) |
| Material - Contact carriers | PA 6.6 |
| Halogen free | yes |
| Material - Finish | Ni (nickel) |
| RoHS | compliant |

Environmental conditions

| | |
|----------------------------|-----------------|
| Temperature (min. - max.) | |
| Temperature - Storage °C | -40 °C - 70 °C |
| Temperature - Storage °F | -40 °F - 158 °F |
| Temperature - Operating °C | -40 °C - 70 °C |
| Temperature - Operating °F | -40 °F - 158 °F |

Certifications

GHMT Type Approval



Component

Technical Data

Standards/Regulations

Generic cabling systems

| | |
|----------------------|--|
| General requirements | ANSI/TIA-568-C.2 |
| Office buildings | ISO/IEC 11801 Ed.2.2: 2011-06 DIN EN 50173-2 ANSI/TIA-568-C |
| Living units | ISO/IEC 15018 DIN EN 50173-4 ANSI/TIA-570-B |

Connectors for electronic equipment

| | |
|---------------------------|---------------------------|
| Free and fixed connectors | DIN EN 60603-7-51:2011-01 |
|---------------------------|---------------------------|

Connectors for electronic equipment - Tests and measurements

| | |
|---|-------------------------------|
| Test standard for connectors (engaging and separating connectors under electrical load) | DIN-EN 60512-99-001, Pg. UEL1 |
| Endurance tests | IEC 60512-9-3: 03-2009 |

Interference proof

| | |
|--|--------------------------|
| Immunity for residential, commercial and light-industrial environments | DIN EN 61000-6-1:2007-10 |
| Immunity for industrial environments | DIN EN 61000-6-2:2006-03 |

Emission proof

| | |
|--|--------------------------|
| Electromagnetic emission for residential, commercial and light-industrial environments | DIN EN 61000-6-3:2011-09 |
|--|--------------------------|

Classifications

| | |
|----------|----------|
| ETIM 5.0 | EC001121 |
| ETIM 6.0 | EC001121 |
| ETIM 7.0 | EC001121 |
| ETIM 8.0 | EC001121 |
| ETIM 9.0 | EC001121 |

Packing details

| | |
|---------------------------------|------------------------------------|
| Type of packaging | 10 pc(s) / box |
| Packaging unit - Weight (gram) | 413 g |
| Packaging unit - Weight (pound) | 0.91 lb |
| Packaging dimension | 258 mm x 164 mm x 51 mm |
| Packaging dimension | 10.157 in. x 6.457 in. x 2.008 in. |

P | Cabling

Data sheet

Page 6/9

E-DAT modul Cat.6_A K jack - Keystone style

P/N

130910KI

EAN 4250184181002

2023/08/08

Version: AV

Accessories

| P/N | Designation |
|---------------|--|
| 820032-0102-I | Dust protection cover for C6 _A modul pure white |
| 820032-0103-I | Dust protection cover for C6 _A modul light gray |
| 820032-0105-I | Dust protection cover for C6 _A modul yellow |
| 820032-0106-I | Dust protection cover for C6 _A modul blue |
| 820032-0107-I | Dust protection cover for C6 _A modul green |
| 820032-0108-I | Dust protection cover for C6 _A modul red |
| 820032-0129-H | Dust protection cover for C6 _A modul black, (250 pcs) |
| 820032-0129-I | Dust protection cover for C6 _A modul black |

Accessories from

| P/N | Designation |
|-----------------|---|
| 130861-0202KE | Keystone surface mount housing 2 port pure white, unequipped |
| 130861-0302KE | Keystone surface mount housing 3 port pure white, unequipped |
| 130861-0402KE | Keystone surface mount housing 4 port pure white, unequipped |
| 130861-0602KE | Keystone surface mount housing 6 port pure white, unequipped |
| 130861-0802KE | Keystone surface mount housing 8 port pure white, unequipped |
| 130861-0802KE85 | AP Patchfeld unbestückt für 8xRJ45 RAL 9010 Keystone AP-Geh 8 Port ZATEC |
| 130861-1202KE | Keystone surface mount housing 12 port pure white, unequipped |
| 130861-1602KE | Keystone surface mount housing 16 port pure white, unequipped |
| 130861-2402KE | Keystone surface mount housing 2x12 port pure white, unequipped |
| 130910D1APLKE | Extension box 1 Port E-DAT Modul Keystone |
| 130910D2APLKE | Extension box 2 port E-DAT modul Keystone |
| 130920-00KE | Keystone 19 inch module frame 1RU 24 port light gray unequipped, shielded |
| 130920-BKKE | Keystone 19 inch module frame 1RU 24 port black unequipped, shielded |
| 130925-BKKE | Keystone 19 inch module frame 0.5RU 24 port black unequipped |
| 130925-GRKE | Keystone 19 inch module frame 0.5RU 24 port gray unequipped |
| 130926-0003KE | Keystone 19 inch module frame 1RU 24 port grey unequipped, shielded |
| 130926-0029KE | Keystone 19 inch module frame 1RU 24 port black unequipped, shielded |
| 130926A0003KE | Keystone 19 inch module frame 1RU 24 port angeled grey unequipped, shielded |
| 130926A0029KE | Keystone 19 inch module frame 1RU 24 port angeled black unequipped, shielded |
| 130926AA029KE | Keystone 19 inch module frame 1RU 24 ports 133° angled, black, unequipped, shielded |
| 130927-1200KE | SmartConnect Patchpanel 12 port Keystone, unequipped |
| 1309413103-E | E-DAT Industry IP67 V6 for keystone |
| 1309413303-E | E-DAT Industry IP67 V6 for keystone with mounting kit |
| 1309428103-E | Keystone REGplus IP20 light gray unequipped |
| 1309460003KI | Keystone IP44SG surface mounted housing unequipped |
| 1309A0D1APLKE | Extension box 1 port E-DAT adapter |
| 1309A0D2APLKE | Extension box 2 port E-DAT adapter |
| 130A21-00-E | Keystone 19 inch module frame 1RU 24 port stainless steel unequipped |

P | Cabling

Data sheet

Page 8/9

E-DAT modul Cat.6_A K jack - Keystone style

P/N

130910KI

EAN 4250184181002

2023/08/08

Version: AV

Accessories from

| | |
|---------------|--|
| 130A24-00-E | Keystone 19 inch module frame 1.5RU 48 port stainless steel unequipped |
| 130B20E2E-E | Keystone module frame 3RU, 7HP 6 port stainless steel unequipped |
| 130B21D1APL-E | Extension box 1 Port C6 _A modul Keystone |
| 130B21D2APL-E | Extension box 2 port C6 _A modul Keystone |
| 130D2CKU4-E | DCCS2 subassembly 4 port unequipped - Keystone |
| 14040000-E | MCO IP69k protective housing for outdoor use, set for exposed installation |
| 14040010-E | MCO IP69k Protective housing for outdoor use, set with mounting bracket |
| 14040100-E | MCO IP69k Protective housing for outdoor use, set wall/ housing bushing |

P | Cabling

Data sheet

Page 9/9

E-DAT modul Cat.6_A K jack - Keystone style

P/N
130910KI

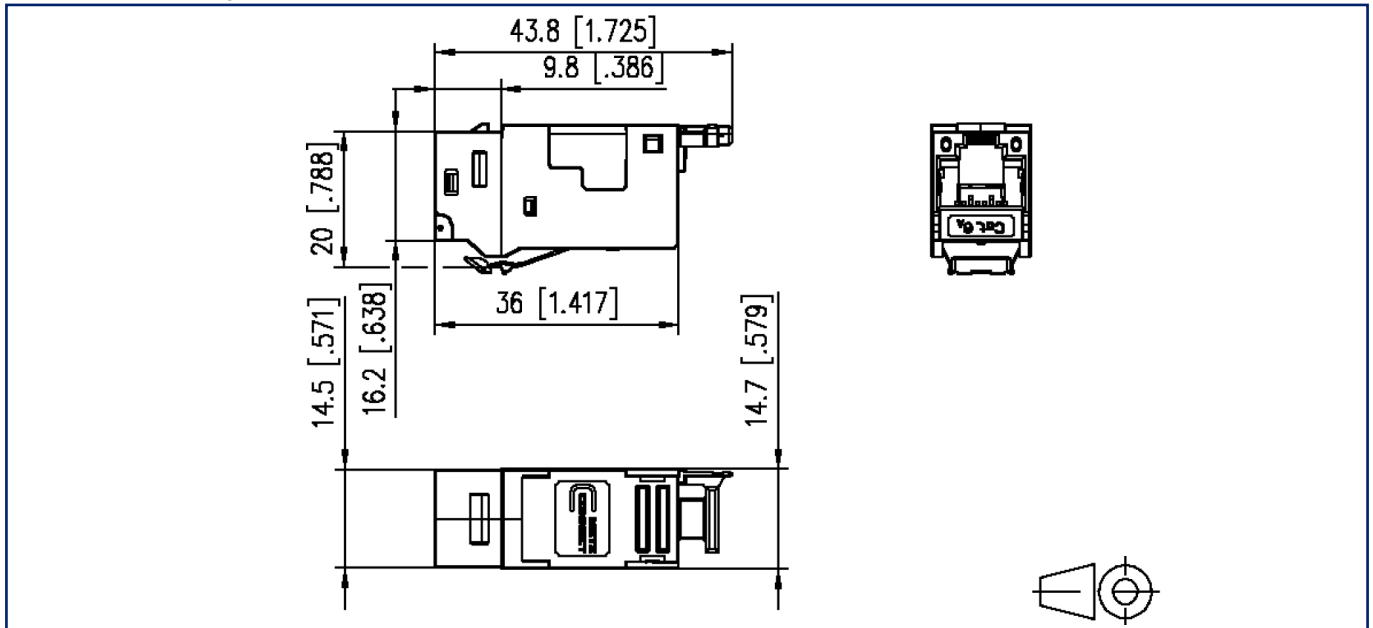
EAN 4250184181002

2023/08/08

Version: AV

Illustrations

Dimensional drawing



Cut-out

