

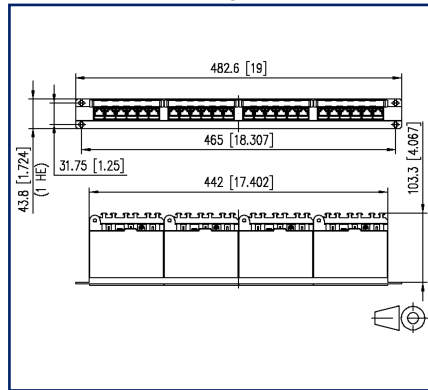
Data sheet

E-DAT C6 24x8(8) 1RU modular LSA Cat.6 patch panel

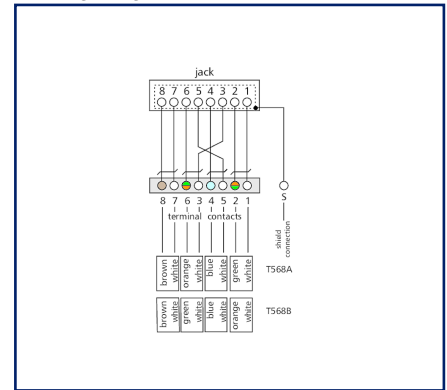
Illustrations



Dimensional drawing



Wiring diagram



See enlarged drawings at the end of document

Product specification

- 19 inch 1RU frame made of silver anodized aluminum with 24 individually shielded RJ45 jacks
- certified to GHMT Cat.6 12C-de-embedded
- compliance with class E_A Channel-Link acc. to ISO/IEC 11801-1, DIN EN 50173-1
- tested: Channel-Link up to 500 MHz
- suitable for 10 GBit Ethernet (IEEE 802.3an), Remote Powering (PoE, PoE plus, UPoE and 4PPoE) and HDBaseT
- 4 module housings, made of zinc die-casting, with six RJ45 jacks each
- wire pairs can be led to the LSA terminal without untwisting the pair
- connection of 2 to 4-pair data lines to LSA insulation displacement connectors (AWG 22-24) conductor colors marking to TIA/EIA 568A
- label window for enclosed identification labels
- optional strain relief using cable ties
- modules connected by means of grounding rail, incl. 30 cm grounding cable



P | Cabling

Data sheet

Page 2/8

E-DAT C6 24x8(8) 1RU modular LSA Cat.6 patch panel

P/N
130856-E

EAN 4250184111740

2023/04/18

Version: AE

Technical Data

General Data

Fields of application	structured building cabling office areas Distributed building services data center
Mechanical measurement according to MICE	M1
Ingress measurement according to MICE	I1
Climatic measurement according to MICE	C1
Electromagnetic measurement according to MICE	E2
Design	patch panel
Mounting style	1RU
Shielding	shielded
Transmission technology	Copper
Wiring	T568A, T568B
Color	anodized alu.
Dimensions	
Dimension (L x W x H)	103.3 mm x 482.6 mm x 43.8 mm
Dimension (L x W x H)	4.067 in. x 19 in. x 1.724 in.
Inches	19 inches
Height unit	1RU
Labeling option	label window with identification label

Transmission characteristics

Category (ISO)	6
Class (ISO/IEC)	E _A
Category (TIA)	6
Remote Powering	yes
PoE	IEEE 802.3af
PoE plus	IEEE 802.3at
UPoE	yes
4PPoE	IEEE 802.3bt
HDBaseT	yes
Transmission rate up to 100 MBit (Fast Ethernet)	IEEE 802.3bw
Transmission rate up to 1 GBit (Fast Ethernet)	IEEE 902.3ab
Transmission rate up to 10 GBit	IEEE 802.3an

Technical Data

Connections/interfaces

Connector technology interface 1	LSA terminal block
Connector technology interface 2	RJ45-jack
Number of ports interface 2	24
Number of ports interface 2 equipped	24
Number of positions/contacts interface 1	24 x 8
Number of positions/contacts interface 2	24 x 8P/8C
Termination data, solid wire (min. - max.)	
Conductor cross section, solid wire	AWG 26/1 - AWG 22/1
Conductor cross section, solid wire	0.128 mm ² - 0.324 mm ²
Conductor diameter, solid wire (bare copper)	0.409 mm - 0.643 mm
Conductor diameter, solid wire (bare copper)	0.016 in. - 0.025 in.
Cable access/outlet	180°
Grounding wire length	0.3 m
Grounding wire length	0.98 ft
Ground connection	grounding bolt M6x10 with nut and lock washer
Shield connection	flexible contact spring

Electrical characteristics

Current carrying capacity	max. 1 A at 60 °C
Rated voltage	max. 60 V DC
Contact resistance	max. 20 mOhm
Through resistance	max. 200 mOhm
Insulation resistance	min. 500 MOhm
Dielectric strength conductor-conductor (secondary)	max. 1000 V DC
Dielectric strength conductor-conductor, peak value (secondary)	max. 1.000 V AC
Dielectric strength conductor-shield	max. 1500 V DC
Dielectric strength conductor-shield, peak value	max. 1500 V AC

P | Cabling

Data sheet

Page 4/8

E-DAT C6 24x8(8) 1RU modular LSA Cat.6 patch panel

P/N
130856-E

EAN 4250184111740

2023/04/18

Version: AE

Technical Data

Mechanical data

Insertion and withdrawal force	max. 30 N
Life - Number of mating cycles	min. 750
Position/mounting of latch standard installation position	top
strain relief	cable bracket

Materials and material properties

Material - Terminal block housing	PBT (polybutylene terephthalate)
Material - Jack contact	Hyper Ph-Br
Material - Jack contact finish	AuCo
Material - Terminal block contact	CuSn6
Material - Terminal block contact finish	Sn (tin)
Material - Jack shield	CuSn6
Material - Cover	GD-Zn (zinc die-cast)
Material - Module support	Al (Aluminium)
Material - Module support finish	silver anodized
Halogen free	yes
RoHS	compliant

Environmental conditions

Temperature (min. - max.)	
Temperature - Storage °C	-40 °C - 70 °C
Temperature - Storage °F	-40 °F - 158 °F
Temperature - Operating °C	-40 °C - 70 °C
Temperature - Operating °F	-40 °F - 158 °F

Certifications

GHMT Type Approval



Component



Technical Data

Standards/Regulations

Generic cabling systems

General requirements	ISO/IEC 11801-1:2017-11 DIN EN 50173-1:2018-10 ANSI/TIA-568.2-D
Office buildings	ISO/IEC 11801-2:2017-11 DIN EN 50173-2:2018-10 ANSI/TIA-568.2-D
Living units	ISO/IEC 11801-4:2017-11 DIN EN 50173-4:2018-10 ANSI/TIA-570-D
Data centers	ISO/IEC 11801-5:2017-11 DIN EN 50173-5:2018-10 ANSI/TIA-942-B

Connectors for electronic equipment

Free and fixed connectors	DIN EN 60603-7-51:2011-01, DIN EN 60603-7:2019-11, DIN EN 60603-7-1:2012-01
---------------------------	---

Connectors for electronic equipment - Tests and measurements

Test standard for connectors (engaging and separating connectors under electrical load)	DIN-EN 60512-99-001, DIN-EN 60512-99-002
Endurance tests	DIN EN 60603-7:2019-11, DIN EN 60603-7-1:2012-01
Climate tests	DIN EN 60603-7:2019-11, DIN EN 60603-7-1:2012-01

Classifications

ETIM 5.0	EC001128
ETIM 6.0	EC001128
ETIM 7.0	EC001128
ETIM 8.0	EC001128
ETIM 9.0	EC001128

Packing details

Type of packaging	1 pc(s) / box
Packaging unit - Weight (gram)	1930 g
Packaging unit - Weight (pound)	4.25 lb
Packaging dimension	540 mm x 165 mm x 65 mm
Packaging dimension	21.26 in. x 6.496 in. x 2.559 in.

P | Cabling

Data sheet

Page 6/8

E-DAT C6 24x8(8) 1RU modular LSA Cat.6 patch panel

P/N
130856-E

EAN 4250184111740

2023/04/18

Version: AE

Accessories

P/N	Designation
130792	Mounting kit, cage nuts M6
130818-E	Crimp Tool LSA-PLUS®
899789-01	Label sheet for E-DAT C6 and E-DAT design patch panels



P | Cabling

Data sheet

Page 7/8

E-DAT C6 24x8(8) 1RU modular LSA Cat.6 patch panel

P/N
130856-E

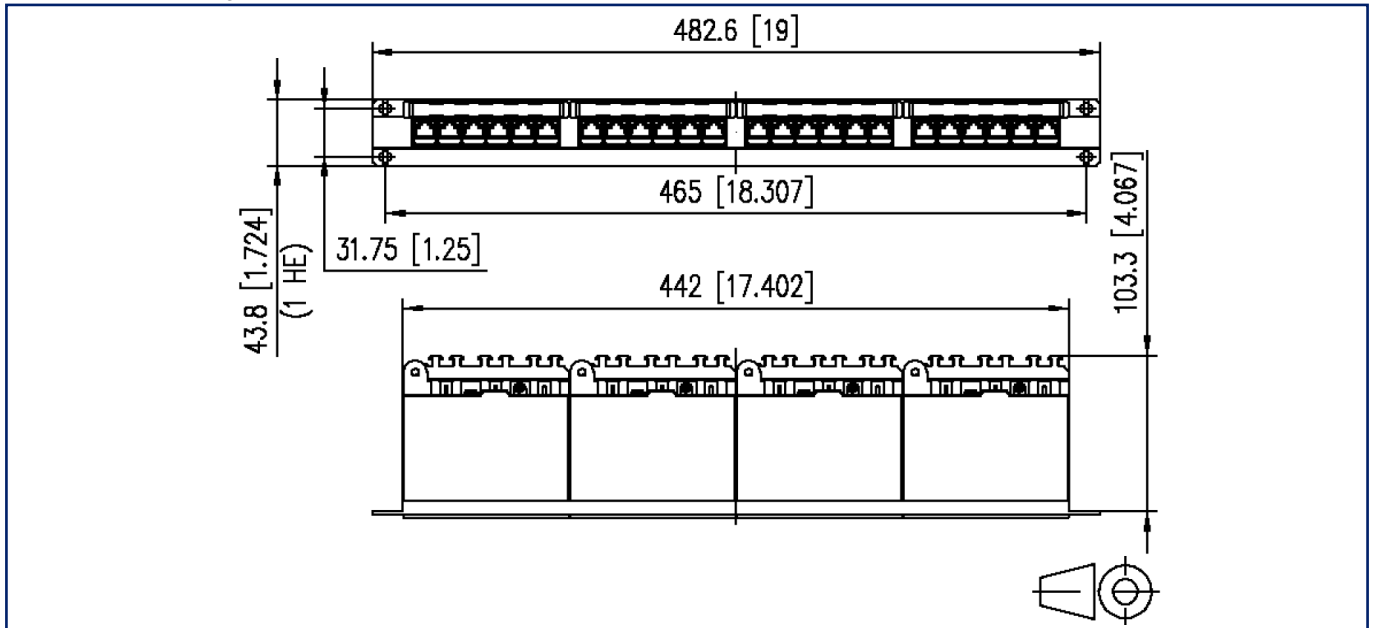
EAN 4250184111740

2023/04/18

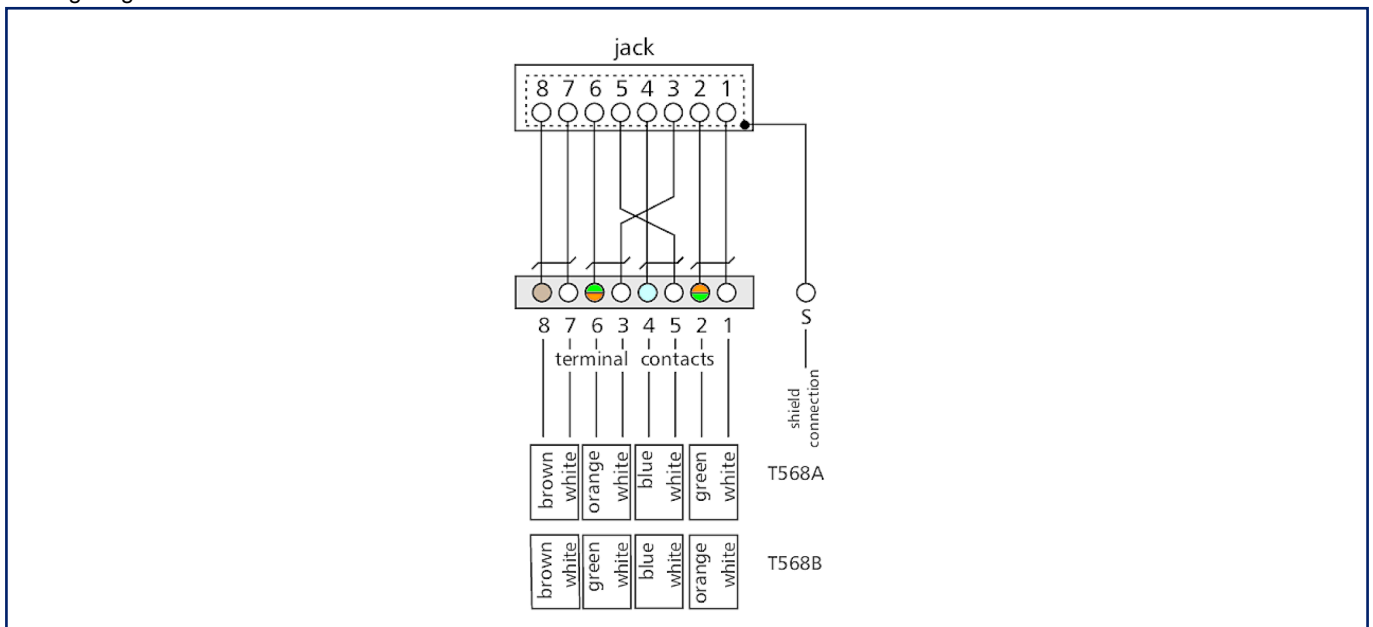
Version: AE

Illustrations

Dimensional drawing



Wiring diagram



P | Cabling

Data sheet

E-DAT C6 24x8(8) 1RU modular LSA Cat.6 patch panel

Page 8/8

P/N
130856-E

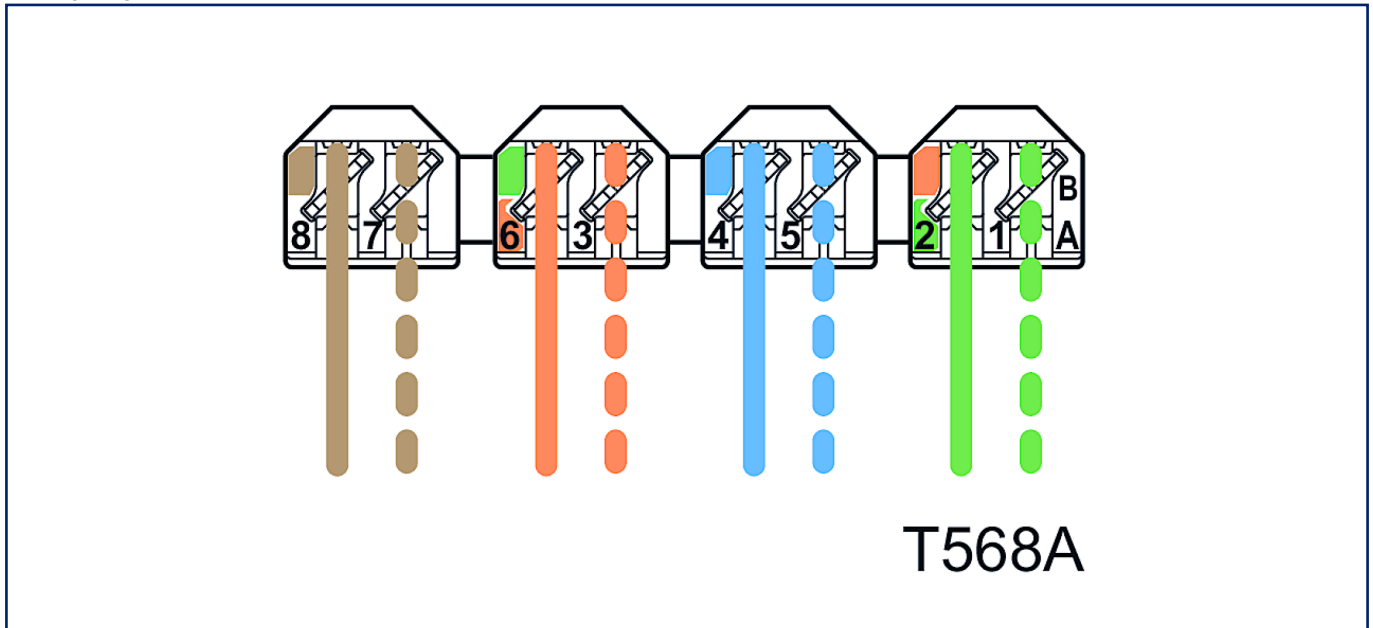
EAN 4250184111740

2023/04/18

Version: AE

Illustrations

Wiring diagram



Wiring diagram

