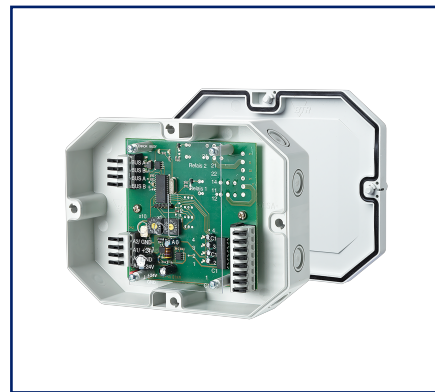


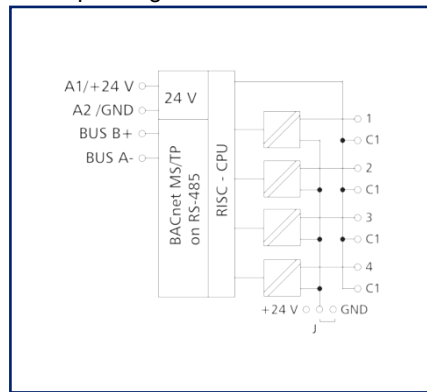
Data sheet

BMT-DI4-IP65 BACnet MS/TP

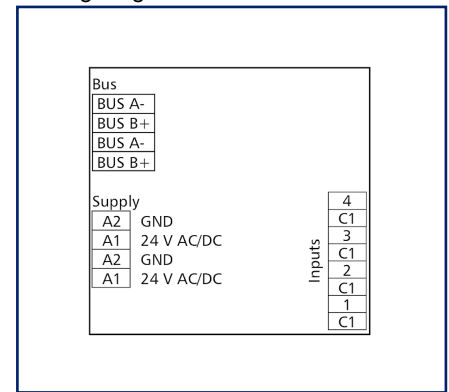
Illustrations



Principle diagram



Wiring diagram



See enlarged drawings at the end of document

Product specification

The BACnet MS/TP module in IP65 housing with 4 digital inputs was developed for decentralized switching tasks. It is suitable for detecting potential-free switch states, for example electrical limit switches on vent valves or auxiliary contacts of power contactors. The inputs can be operated by means of potential-free switches or contacts or used as voltage inputs. The inputs can be scanned by means of standard objects via a BACnet client. The module address and the baud rate are set by means of two address switches.

Technical Data

Approvals



BACnet is a registered trademark of ASHRAE. ASHRAE does not endorse, approve or test products for compliance with ASHRAE standards. Compliance of listed products to the requirements of ASHRAE Standard 135 is the responsibility of BACnet International (BI). BTL is a registered trademark of BI.

RS485 interface

Protocol	BACnet MS/TP
Address range	00 - F9
Bus interface	RS485 two wire bus with potential equalization in bus or line topology, terminate with 120 Ohm
Transmission parameters	
Transmission rate	min. 9600 Bit/s (Bd) - max. 115200 Bit/s (Bd)
Transmission rate default setting	9600 Bit/s (Bd)
Parity	None
Stopbits	1

Supply

Operating voltage	24 V AC/DC +/- 10 % (SELV)
Power consumption	
Power consumption AC (max.)	64 mA
Power consumption DC (max.)	35 mA
Duty cycle relative	100 %

Inputs

Digital inputs	4
Voltage input	30 V AC/DC
High signal detection	> 7 V AC/DC

Housing

Dimensions	
Dimension (W x H x D)	160 mm x 40.7 mm x 120 mm
Dimension (W x H x D)	6.299 in. x 1.602 in. x 4.724 in.
Weight	350 g
Mounting style	directly on a flat surface, 8 knock-out openings for M12 and M16 cable glands
Mounting position	any
Connection type	Spring clamp terminal blocks

Technical Data

Housing	
Indicator	green, red and yellow LED
Terminal blocks	
Supply and bus	
Terminal block	4-pole
Solid wire (AWG)	max. 1.5 mm ² / max. 16 AWG
Stranded wire (AWG)	max. 1 mm ² / max. 18 AWG
Wire diameter	max. 1.4 mm - min. 0.3 mm
Module connection	
Wire cross section solid	0.2 mm ² - 1.5 mm ² / AWG 28-18
Wire cross section multi	0.08 mm ² - 0.75 mm ² / AWG 28-18
Wire cross section with wire ferrule	0.08 mm ² - 0.75 mm ² / AWG 28-20
Stripping length (min.)	4 mm
Protection circuit	Polarity reversal protection for DC operating voltage
Material	
Material - Housing	ASA + Polycarbonat
Color	gray
Material - Terminal block	Polyamid 6.6 V0
Material - Covers	Polycarbonat
Protection category according to IEC 60529	
Protection category - housing (acc. to IEC 60529)	IP65
Protection category - terminal blocks (acc. to IEC 60529)	IP20
Temperature range	
Operating	
Temperature - Operating °C	-5 °C - 55 °C
Temperature - Operating °F	23 °F - 131 °F
Storage	
Temperature - Storage °C	-20 °C - 70 °C
Temperature - Storage °F	-4 °F - 158 °F

Technical Data

Classifications

ETIM 7.0	EC000688
ETIM 8.0	EC000688
ETIM 9.0	EC000688

Software and additional documents

Software and documentation

Further documentation is available for free download at www.metz-connect.com

Accessories

P/N	Designation
110368	TSH 35 Hutschienenhalter für IP65
110486	HUB DC
110561	Power supply NG4 24 V DC
ASP0250404	SP025xxHDNC ASP025



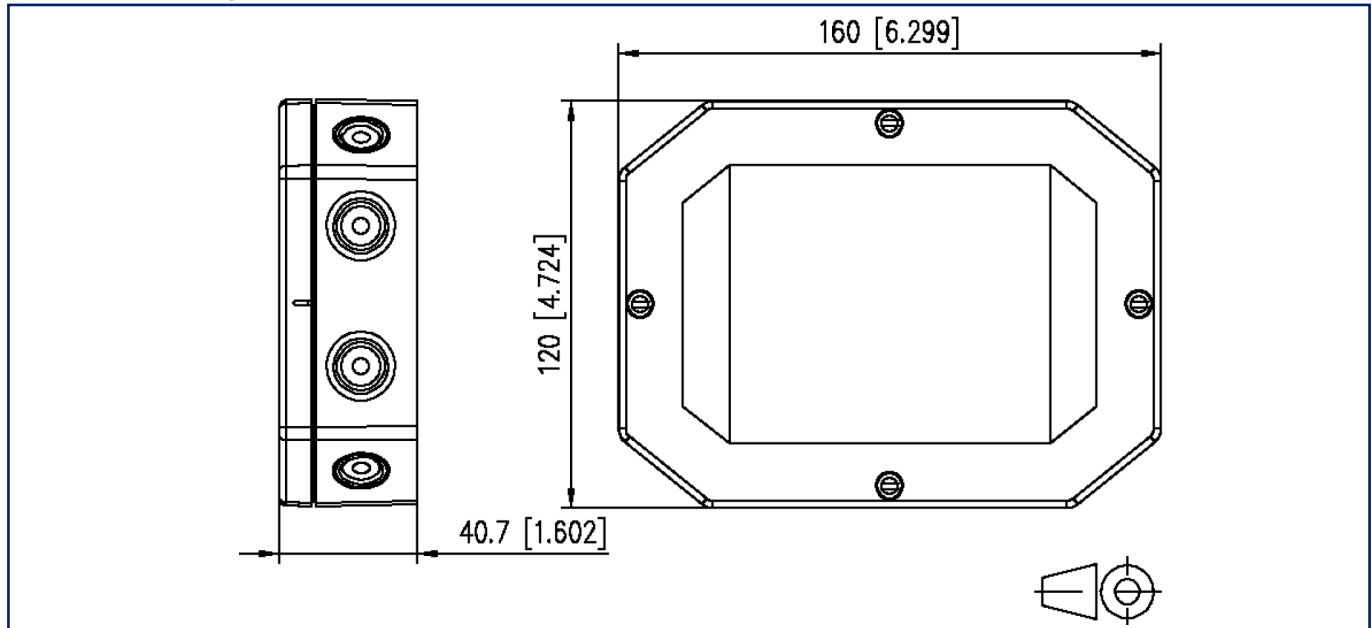
Accessories from

P/N	Designation
11088001	BMT-RTR BACnet-Router
1108800170	BMT-F-RTR BACnet-Router

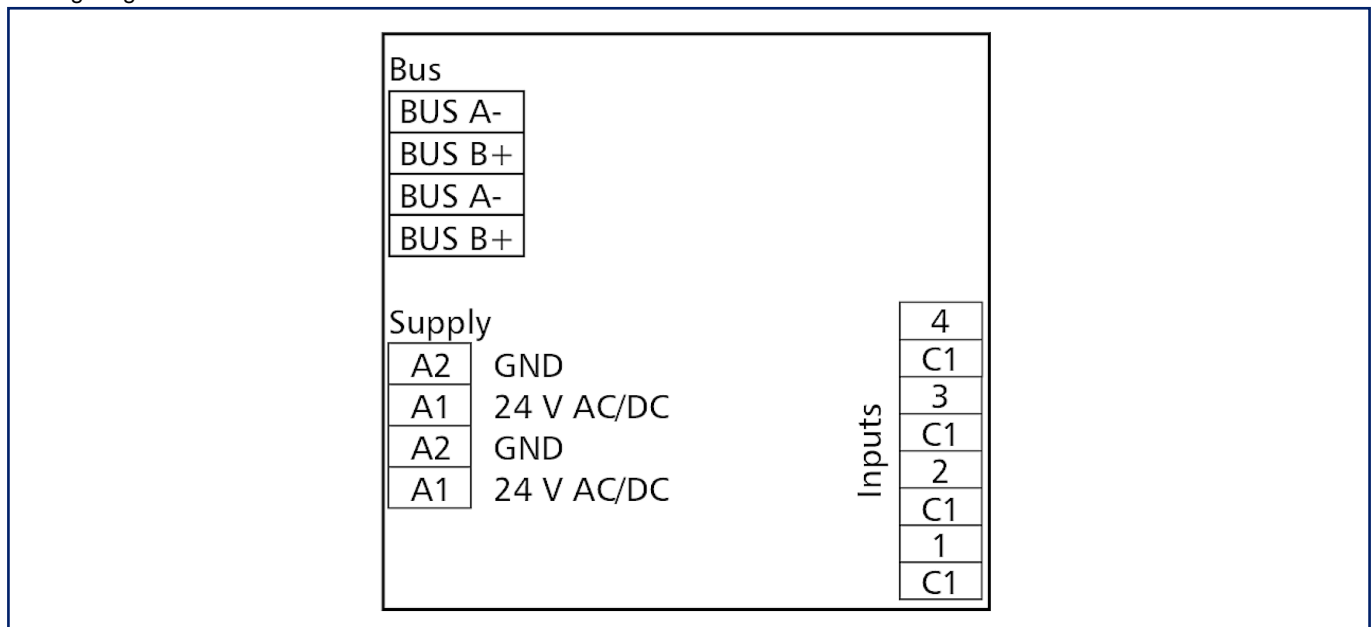


Illustrations

Dimensional drawing

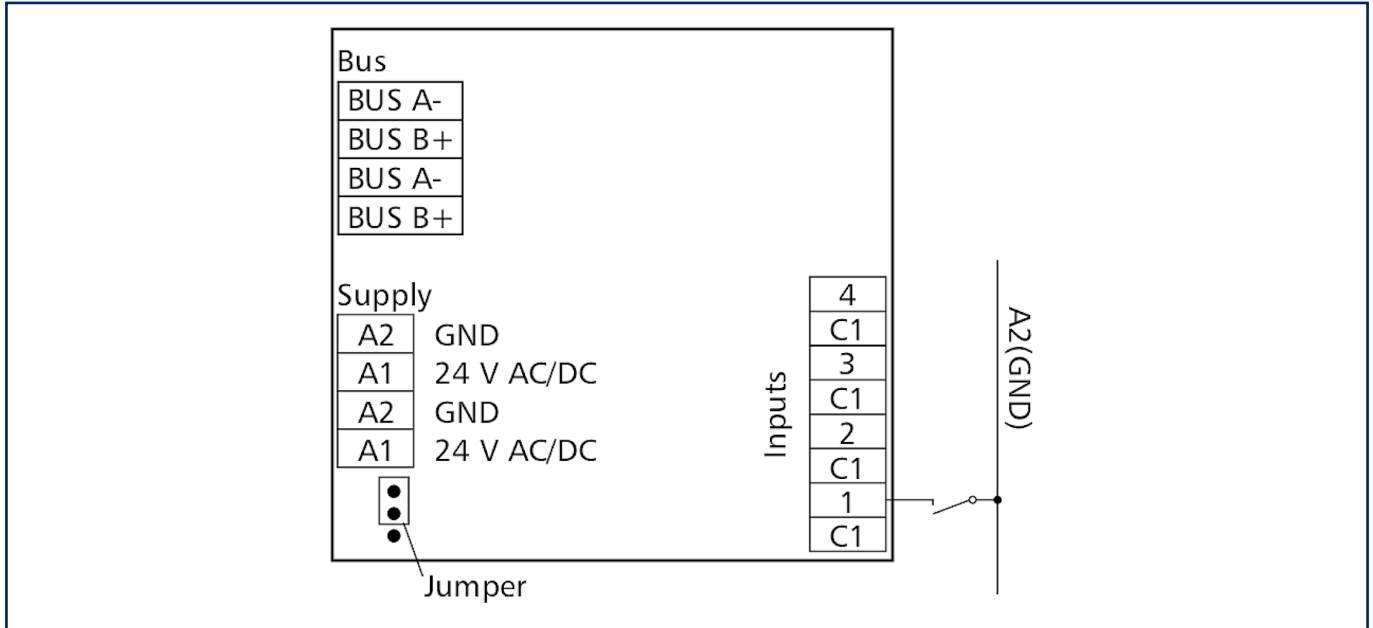


Wiring diagram

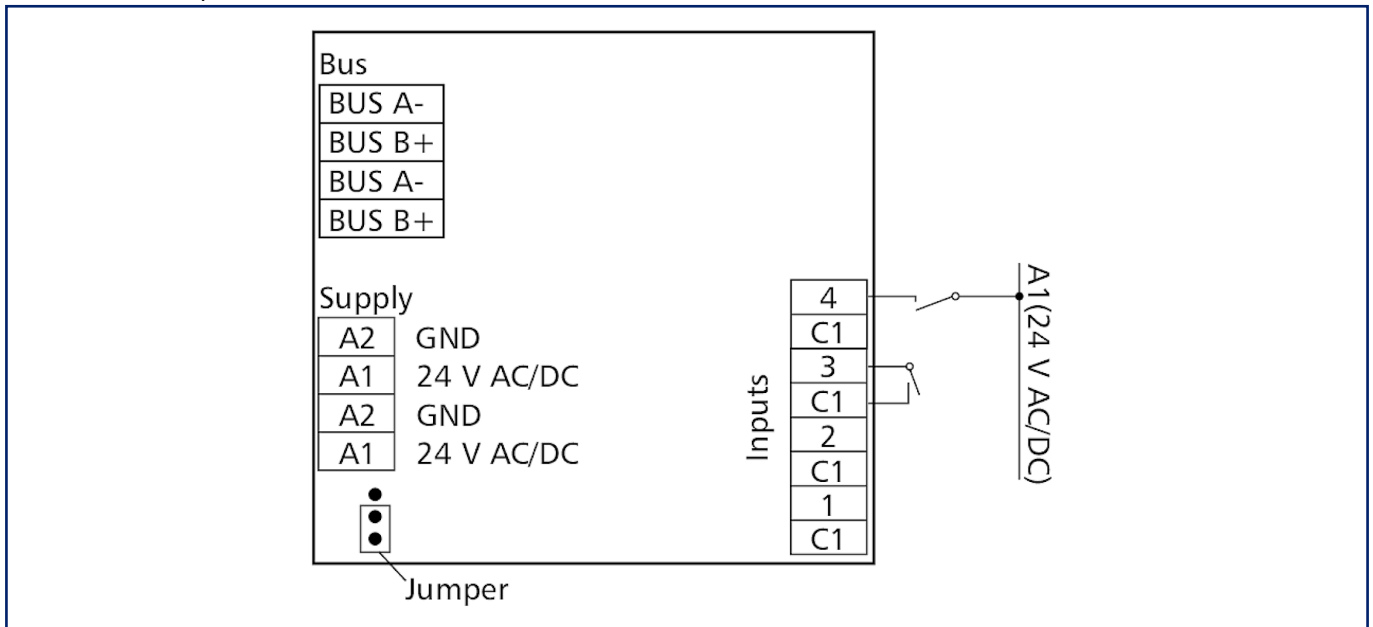


Illustrations

Connection example



Connection example



Illustrations

Principle diagram

