

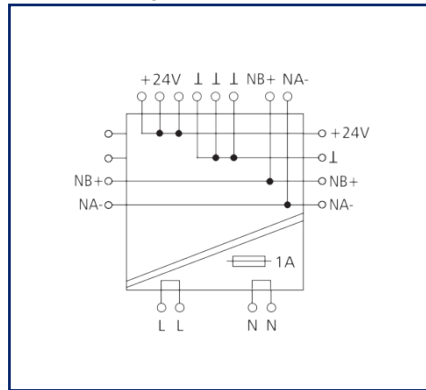
Data sheet

Power supply NG4 24 V DC

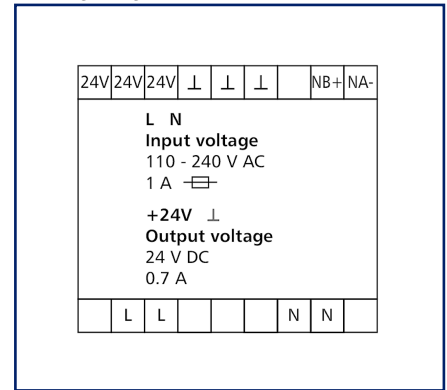
Illustrations



Principle diagram



Wiring diagram



See enlarged drawings at the end of document

Product specification

The NG4 HS power supply supplies a regulated direct voltage of 24 V DC / 16 W for supplying power to the respective devices of the product family of I/O components. The secondary voltage can only be tapped at the right side of the device front at a pluggable terminal block and at the screw-type terminal blocks. The bus communication can be tapped on both sides of the device front. A parallel operation of various power supply units is not allowed. Suitable for decentralized mounting on DIN TH35 rail according to IEC 60715 in electrical distribution cabinets.

- Connection with screw type terminal blocks

Technical Data

General information

for I/O components of the series LON (LF-xxx), BACnet (BMT-xxx), Modbus (MR-xxx)

Inputs

Voltage range	110 - 240 V AC, 47 - 63 Hz
Contact fuse	internal T 1,0 AL/250 V, soldered fuse

Outputs

Output voltage	24 V DC (SELV)
Output current (max.)	700 mA
Output power	16 W
Load and control accuracy	+/- 3 %, Tu = 20° C

Protection and monitoring

Permanently short-circuit proof	yes
Open-circuit proof	yes
Mains failure backup	< 40 ms at 230 V AC and full load
Electric strength	4000 V AC input/output

Device safety/EMC

Output	safety extra-low voltage (SELV) according to EN 62368-1
Protection class	2

Housing

Dimensions	
Dimension (W x H x D)	50 mm x 69.3 mm x 60 mm
Dimension (W x H x D)	1.969 in. x 2.728 in. x 2.362 in.
Weight	108 g
Mounting style	Standard rail TH35
Mounting position	any
Apposition	without distance
Connection type	Screw type terminal blocks
Indicator	green LED

Technical Data

Terminal blocks	
Supply and bus	
Terminal block	4-pole
Solid wire (AWG)	max. 1.5 mm ² / max. 16 AWG
Stranded wire (AWG)	max. 1 mm ² / max. 18 AWG
Wire diameter	max. 1.4 mm - min. 0.3 mm
Module connection	
Wire cross section solid	0.34 mm ² - 2.5 mm ² / AWG 22-12
Wire cross section multi	0.25 mm ² - 2.5 mm ² / AWG 22-12
Wire cross section with wire ferrule	0.25 mm ² - 2.5 mm ² / AWG 22-12
Screw torque (max.)	0.5 Nm
Stripping length (min.)	8 mm
Material	
Material - Housing	Polyamid 6.6 V0
Color	gray
Material - Terminal block	Polyamid 6.6 V0
Material - Covers	Polycarbonat
Protection category according to IEC 60529	
Protection category - housing (acc. to IEC 60529)	IP40
Protection category - terminal blocks (acc. to IEC 60529)	IP20
Temperature range	
Operating	
Temperature - Operating °C	-10 °C - 55 °C
Temperature - Operating °F	14 °F - 131 °F
Storage	
Temperature - Storage °C	-25 °C - 85 °C
Temperature - Storage °F	-13 °F - 185 °F



Technical Data

Classifications

ETIM 7.0	EC000675
ETIM 8.0	EC000675
ETIM 9.0	EC000675

Software and additional documents

Software and documentation	Further documentation is available for free download at www.metz-connect.com
----------------------------	--



Accessories from

P/N	Designation
11039025	LA1 LON
11039125	LM1 LON
11039225	LM2 LON
11039425	LS1 LON
11039525	LT1 LON
11039613	LT2 LON
11039713	LT3 LON
1105701321	FRAS 4/21 24 V AC/DC CAN
1105731302	FAA 4 24 V AC/DC CAN
1105741306	FAE 4 24 V AC/DC CAN
1105751319	FDE 4 24 V AC/DC CAN
1108111326IP	MB-DIO2/1-IP Modbus/BACnet 24V AC/DC
1108121326IP	MB-DIO4/2-IP Modbus/BACnet 24V AC/DC
11083001	MR-GW Modbus RTU / Modbus TCP Gateway
1108300170	MR-F-GW Modbus RTU / Modbus TCP Gateway
11083013	MR-TO4 Modbus RTU
1108311319	MR-DI10 Modbus RTU
11083213	MR-AI8 Modbus RTU
1108331326	MR-DIO4/2 Modbus RTU
110833132601	MR-DIO4/2S Modbus RTU
1108331326IP	MR-DIO4/2-IP65 Modbus RTU
1108341319	MR-DI4 Modbus RTU
110834131901IP	MR-DI4-IP65 Modbus RTU, with external display
1108351302	MR-AO4 Modbus RTU
1108361321	MR-DO4 Modbus RTU
110836132101	MR-DOA4 Modbus RTU
1108371302	MR-AOP4 Modbus RTU
11083813	MR-TP Modbus RTU
11083913	MR-SI4 Modbus RTU
1108401332	MR-CI4 Modbus RTU
11084213IP	MR-AIO4/2-IP65 Modbus RTU

Accessories from

11084413	MR-LD6 Modbus RTU
1108501319	LF-DI4 LON
1108511319	LF-DI10 LON
1108511319IP	LF-DI10-IP65 LON
1108521321	LF-DO4 LON
1108521321IP	LF-DO4-IP65 LON
11085313	LF-AI8 LON
11085413	LF-AOP4 LON
11085413IP	LF-AO4-IP65 LON
1108551326	LF-DIO4/2 LON
1108551326IP	LF-DIO4/2-IP65 LON
1108561326	LF-DM4/4 LON
11085713	LF-AM2/4 LON
11085813	LF-SI4 LON
11085913	LF-TP LON
1108601332	LF-CI4 LON
11086105IP	LF-TI-IP65 LON
11086213	LF-TO4 LON
11086313	LF-DI230 LON
11088001	BMT-RTR BACnet-Router
1108800170	BMT-F-RTR BACnet-Router
11088013	BMT-TO4 BACnet MS/TP
1108811319	BMT-DI10 BACnet MS/TP
11088213	BMT-AI8 BACnet MS/TP
1108831326	BMT-DIO4/2 BACnet MS/TP
1108831326IP	BMT-DIO4/2-IP65 BACnet MS/TP
1108841319	BMT-DI4 BACnet MS/TP
1108841319IP	BMT-DI4-IP65 BACnet MS/TP
1108851302	BMT-AO4 BACnet MS/TP
1108861321	BMT-DO4 BACnet MS/TP
1108871302	BMT-AOP4 BACnet MS/TP
1108871303	
110887130370	
11088813	BMT-TP BACnet MS/TP

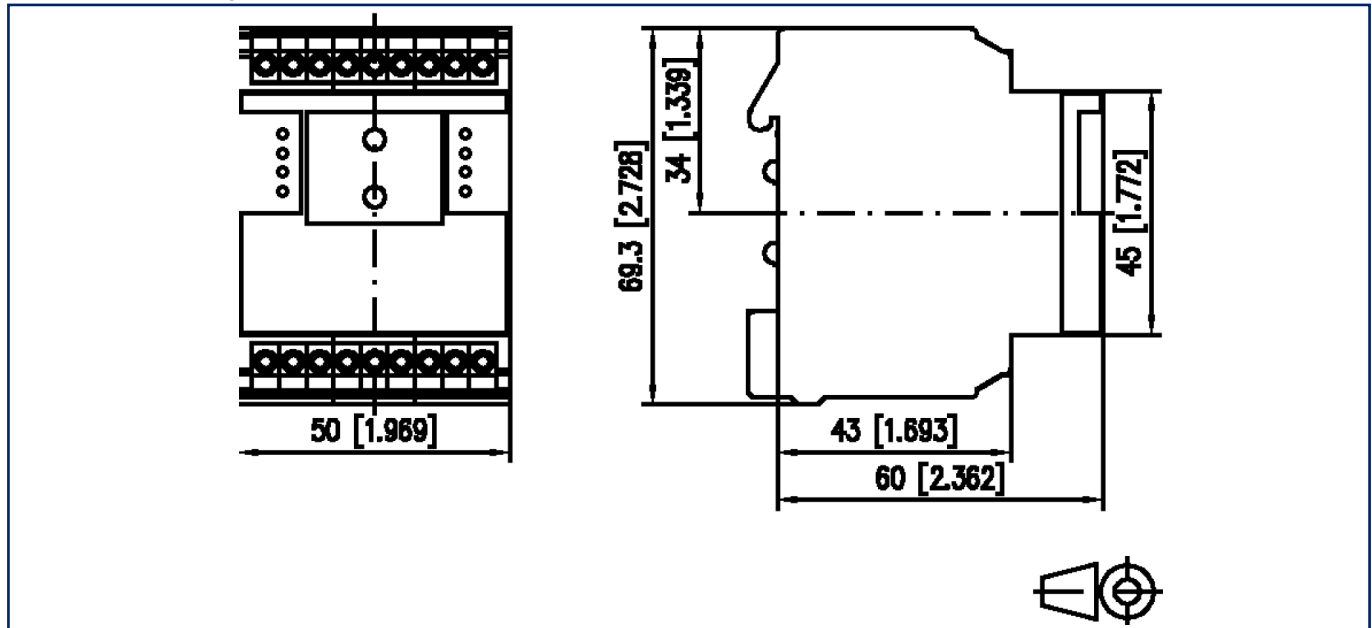
Accessories from

11088913	BMT-SI4 BACnet MS/TP
1108901332	BMT-CI4 BACnet MS/TP
11089313	BMT-Multi I/O BACnet MS/TP
110900	EWIO-9180
110901	EWIO-9180-FB
110904	EWIO ₂ -BM Ethernet-IO / BACnet / Modbus
110905	EWIO ₂ Ethernet-IO
110906	EWIO ₂ -W Ethernet-IO / WLAN
110909	EWIO ₂ -W-BM Ethernet-IO / WLAN / BACnet / Modbus
110910	EWIO-9180-M
110930	EWIO ₂ -M M-Bus
110931	EWIO ₂ -MW M-Bus / WLAN
110934	EWIO ₂ -MW-BM M-Bus / WLAN / BACnet / Modbus
110935	EWIO ₂ -M-BM M-Bus / BACnet / Modbus
11095013	EW-TO4
1109511319	EW-DI10
11095213	EW-AI8
1109531326	EW-DIO4/2
1109531326IP	EW-DIO4/2-IP65
1109541319	EW-DI4
1109551302	EW-AO4
1109561321	EW-DO4
1109571332	EW-CI4

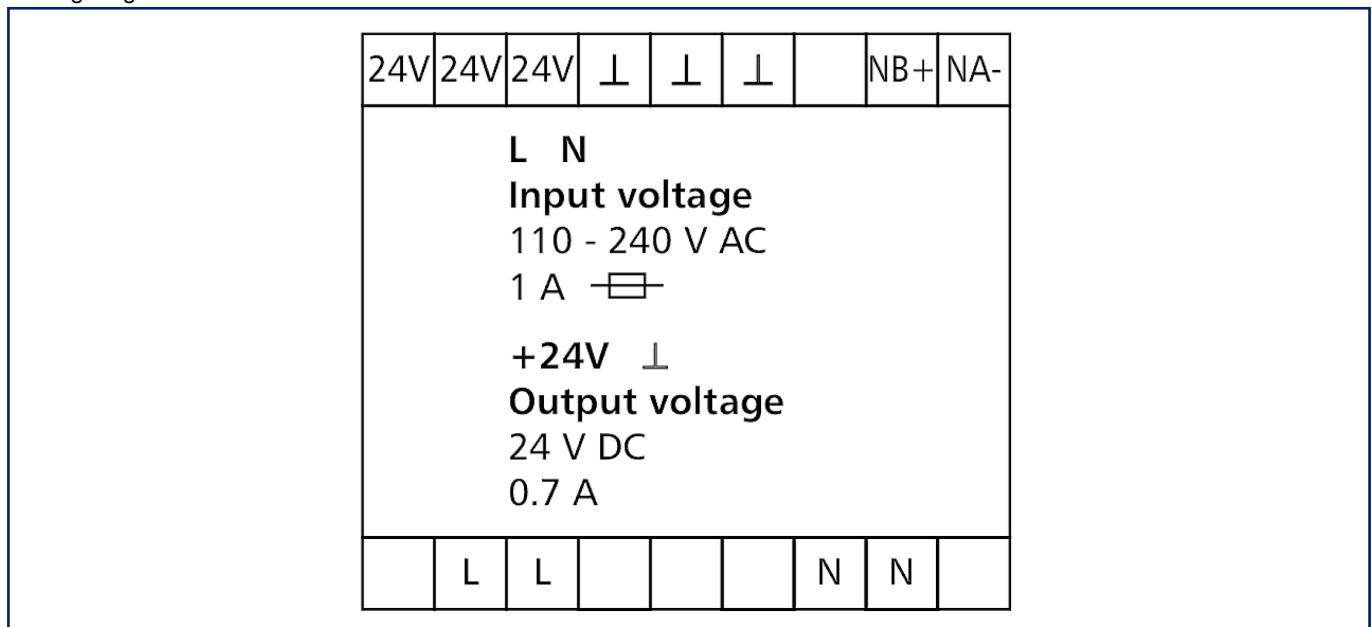


Illustrations

Dimensional drawing

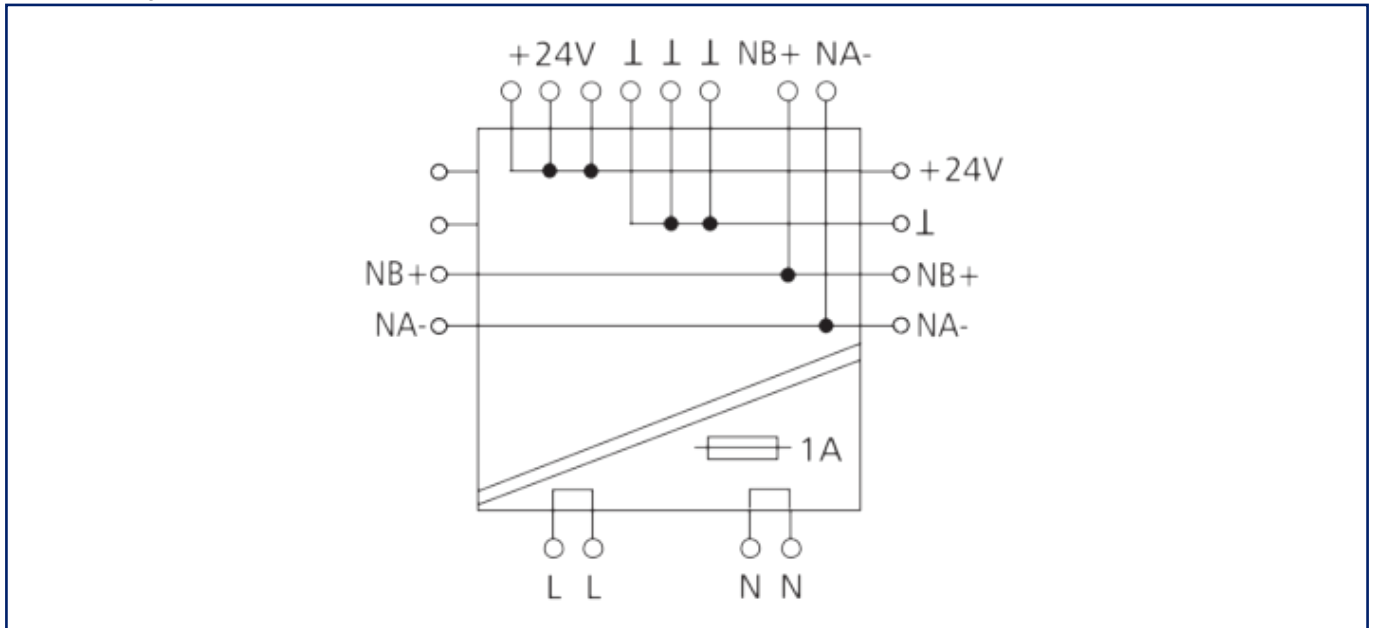


Wiring diagram



Illustrations

Principle diagram



© 2023 METZ CONNECT - Technische Änderungen vorbehalten! Subject to modifications! Sous réserve de modifications techniques!