



Smart PLL Frequency Synthesizer 3-4 GHz

SSG3500A Rev A1

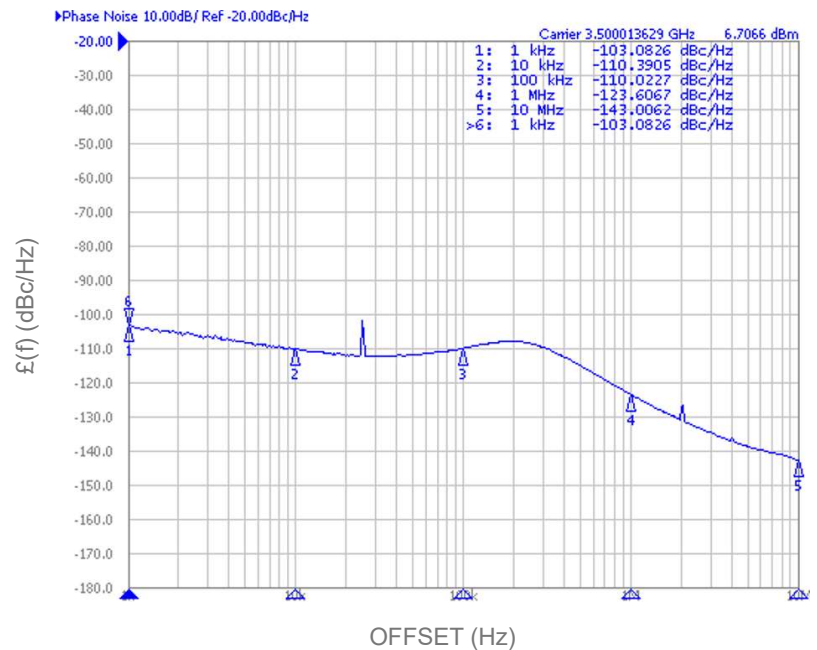
Features

- Bluetooth Interface
- LED Indicators
- Rugged, all Metal Enclosure
- Internal Reference Oscillator
- Input For External Reference Oscillator
- Excellent Phase Noise
- Low Power Consumption
- Multiple Frequency Ranges Available From 500 MHz - 7 GHz

Applications

- Radar
- Frequency Conversion
- Signal Generator
- Test & Measurement
- Defense
- Commercial Communication
- SATCOM

PHASE NOISE (1 Hz BW, typical)



Performance Specifications with Out Attenuation	Min	Typ	Max	Units
Frequency	3000		4000	MHz
Phase Noise @ 1 kHz		-103	-98	dBc/Hz
Phase Noise @ 10 kHz offset (1 Hz BW)		-110	-105	dBc/Hz
Phase Noise @ 100 kHz		-110	-105	dBc/Hz
Harmonic Suppression (2nd)		-15		dBc
Power Output	6	7	8	dBm
Operating Temperature Range	-30		70	°C

Power Supply Requirements	Min	Typ	Max	Units
Supply Voltage		18		Vdc
Supply Current		70		mA

Reference Oscillator	Min	Typ	Max	Units
Frequency		100		MHz
Phase Noise @1 kHz Offset		-140		dBc/Hz

LFSuffix = RoHS Compliant. All specifications are subject to change without notice.

© Z-Communications, Inc. All Rights Reserved.

TEL: (858) 621-2700

URL: www.zcomm.com | EMAIL: applications@zcomm.com



Smart PLL Frequency Synthesizer 3-4 GHz

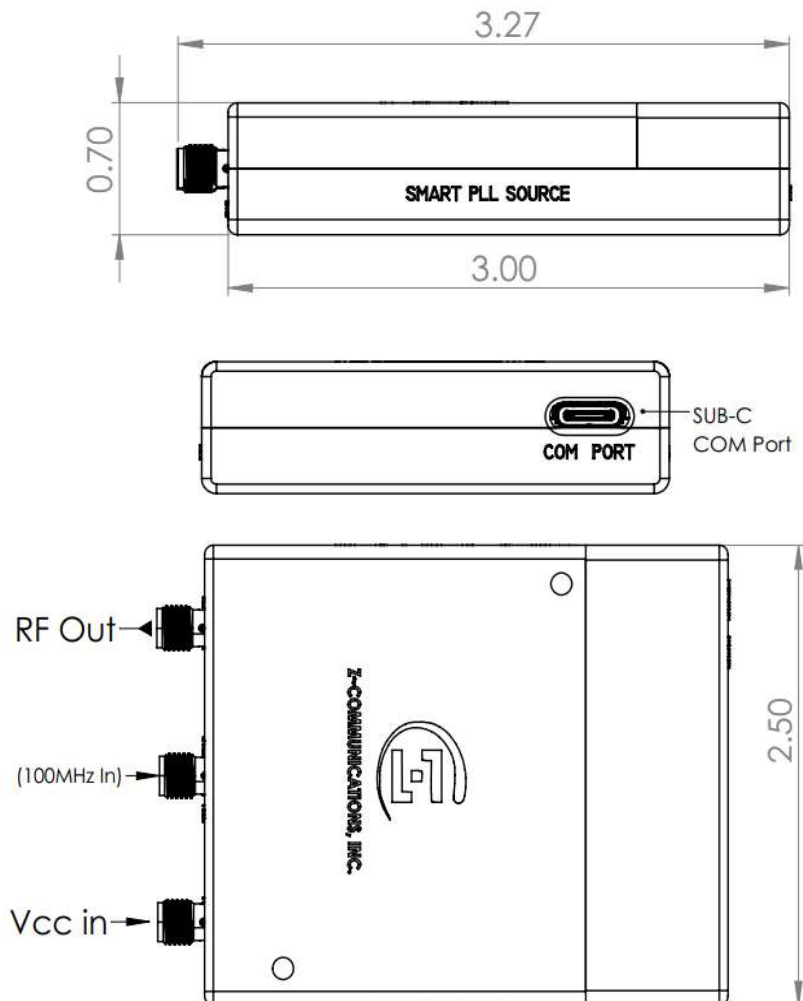
SSG3500A

Rev A1

Description

The Z-COMM SSG series of Smart Phase Locked Loop (PLL) modules provide high performance in a compact, all metal package suitable for any number of applications. Fully programmable through a unique Bluetooth interface, or USB cable, the user may adjust functions such as frequency, sweep mode, dwell time, step size, and power output, among others. LED indicators provide a visual cue of the status of the various functions. Its rugged enclosure lends itself to in-field use as well as bench top testing. The highly reliable output signal, excellent phase noise, and flexibility of an internal reference or input for an external reference, provides RF Engineers with an adaptable RF tool.

Physical Dimensions



LFSuffix = RoHS Compliant. All specifications are subject to change without notice.

© Z-Communications, Inc. All Rights Reserved.

URL: www.zcomm.com | EMAIL: applications@zcomm.com