

## Description

The 3120-N...-...T1-... thermal circuit breaker/switch combination unites overcurrent protection and the function of an ON/OFF switch within a single component. The trip element is a thermobimetal. Type 3120-N...-...T1-... is ideally suited for overload protection of motors, pumps, transformers and cables. After tripping, it can reliably, easily and quickly be reset. The positively trip-free mechanism ensures reliable disconnection of the circuit even with the actuator blocked.

The 3120-N type is also available with thermal-magnetic trip. (technical data p. 21 ff.)

Type 3120-N is also available as a switch in accordance EN IEC 61058 (see data sheet switch 3120-N...Q1).



## Typical applications

Medical and laboratory equipment, apparatus and machine construction, professional tools, household and garden appliances, offices machines, audio equipment, machine tools

## Features

- Single or double pole thermal circuit breaker/switch combination
- Voltage ratings: AC 240 V, DC 50 V (AC 415 V upon request)
- Current rating range: 0.1 ... 20 A (up to 30 A upon request)
- Optional: push-in terminals for easy and quick wiring with a long-term stability
- Expandable functionality through appliance inlet module
- Functional extension options with add-on modules for low voltage release, auxiliary contact function, remote trip or fast magnetic trip
- Suitable for use in medical equipment according to IEC/EN 60601

## Approval logos



## Conformity



## Your benefits

- Maximum equipment availability is ensured by overload protection perfectly matched with the loads (prevention of nuisance tripping) and quick resettability
- Reduced mounting and wiring time
- Space saving design
- Reduced disposition and storage costs
- Increased overall reliability

## Further information

The current data sheet as well as other relevant documents are available on our website: [www.e-t-a.de/e016](http://www.e-t-a.de/e016)

## Technical data

For detailed technical information please see [www.e-t-a.de/ti\\_e](http://www.e-t-a.de/ti_e)

Rated voltage AC 240 V, DC 50 V  
(AC 415 V upon request)

Current rating range 0.1 ... 20 A  
(up to 30A upon request for 1-pole devices only)

### Typical life 1-pole (EN 60934)

AC 240 V: 0.1 ... 20 A 30,000 cycles at  $1 \times I_N$ , inductive  
DC 50 V: 0.1 ... 4 A 30,000 cycles at  $1 \times I_N$ , inductive  
4.5 ... 16 A 30,000 cycles at  $1 \times I_N$ , resistive  
DC 28 V: 0.1 ... 20 A 30,000 cycles at  $1 \times I_N$ , inductive

### Typical life 2-pole (EN 60934)

AC 240 V: 0.1 ... 16 A 50,000 cycles at  $1 \times I_N$ , inductive  
17 ... 20 A 30,000 cycles at  $1 \times I_N$ , inductive  
DC 50 V: 0.1 ... 16 A 50,000 cycles at  $1 \times I_N$ , inductive  
17 ... 20 A 10,000 cycles at  $1 \times I_N$ , inductive

Ambient temperature -30 ... 60 °C

Insulation coordination 2.5 kV /2 reinforced insulation at  
(IEC 60664) operating area

### Dielectric strength

Operating area Test voltage AC 3,000 V  
pole to pole (2-pole) Test voltage AC 1,500 V

Insulation resistance > 100 MΩ (DC 500 V)

Rupture capacity  $I_{cn}$  (IEC/EN 60934)

	$I_N$	$U_N$	$I_{cn}$
1-pole, 2-pole	0.1 ... 2 A	AC 240 V / DC 50 V	$10 \times I_N$
1-pole	2.5 ... 10 A	DC 50 V	50 A
1-pole	2.5 ... 20 A	AC 240 V / DC 28 V	200 A
2-pole	2.5 ... 20 A	DC 50 V	250 A
2-pole	2.5 ... 20 A	AC 240 V / DC 28 V	300 A

Interrupting capacity  $I_{nc}$  (UL 1077)

	$I_N$	$U_N$	$I_{nc}$
1-pole, 2-pole	0.1 ... 20 A	AC 250 V	5,000 A, C, 1
1-pole, 2-pole	0.1 ... 20 A	DC 50 V	1,000 A, C, 1

### Degree of protection (IEC 60529)

Operating area IP40

Terminal area IP00

Other degrees of protection possible,  
depending on selected variant,  
see further details in data sheet.

Vibration 8 g (57-500 Hz), ± 0.61 mm (10-57 Hz)  
Test to IEC 60068-2-6, Test Fc  
10 frequency cycles/axis

Shock 30 g (11 ms)  
Test to IEC 60068-2-27, Test Ea

Corrosion 96 hours at 5 % salt mist,  
Test to IEC 60068-2-11, Test Ka

Humidity 240 hours in 95 % RH  
Test to IEC 60068-2-78,  
Test Cab

Mass approx. 27 g (1-pole)  
approx. 31 g (2-pole)  
approx. 42 g (2-pole with PT terminals)

## Current ratings and internal resistance values

Current rating (A)	Internal resistance per pole (Ω)	Current rating (A)	Internal resistance per pole (Ω)
0.1	94	4	0.0435
0.2	24	4.5	0.0435
0.3	12	5	0.0325
0.4	5.30	6	0.0215
0.5	4.20	7	0.0165
0.6	2.90	8	0.0165
0.8	1.50	10	< 0.02
1	0.9	12	< 0.02
1.2	0.80	14	< 0.02
1.5	0.45	15	< 0.02
2	0.27	16	< 0.02
2.5	0.0785	18	< 0.02
3	0.0595	20	< 0.02
3.5	0.0565		



## Ordering information

**Type no.**  
**3120** Thermal rocker-actuated circuit breaker/switch combination

### Mounting method

**N3** Snap-in, mounting cut-out 50.5 x 21.5 mm

**N5** Snap-in, mounting cut-out 44.5 x 22 mm

### Number of poles

**1** 1-pole switching, 1-pole thermally protected

**2** 2-pole switching, 2-pole thermally protected

**5** 2-pole switching, 1-pole thermally protected

### Style

**1** Standard

**3** With actuator guard

**4** With accordion-style seal, IP65

**6** Version with shorter flange (only for mounting method N5)

**7** With water splash cover (IP54 in the actuation area) and shorter flange

**A** With actuator guard and cross-hole (for optional interlock)

### Terminal design

**PT** Push-in terminals

**P7** Blade terminals

**H7** As P7, terminals 11 and 21 with flat head screws M3.5 - standard for devices with undervoltage release module

**N7** As P7, with additional shunt terminals 12(i) and 22(i)

**G7** As N7, terminals 11 and 21 with additional flat head screws M3.5

### Trip curve

**T1** Thermal trip

### Actuator

**W** Rocker

### Rocker colour and illumination

#### Opaque

**01 .** Black without illumination

**02 .** White without illumination

**04 .** Red without illumination

**Translucent** (when named with Y/R/T/G the rocker is illuminated)

**12 . (Y)** White without illumination (illuminated)

**14 . (R)** Red without illumination (illuminated)

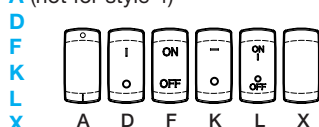
**15 . (Y)** Orange without illumination (illuminated)

**16 . (T)** Blue without illumination (illuminated)

**19 . (G)** Green without illumination (illuminated)

### Marking of rocker

**A** (not for style 4)



**3120-N5 2 4 - PT T1-W 19 D G ...** Ordering example

### Illumination voltage

(= operating voltage)

**1** DC 12 V

**2** DC 24 V

**3** AC 115 V

**4** AC 230 V

**5** DC 48 V

**6** AC 400 V (for 2-pole versions up to 16 A)

### Current rating

**0.1 ... 20 A**

### Terminal shroud (optional)

**A** With terminal shroud, mounted\*

**3120-N5 2 4 - PT T1-W 19 D G 4 - 16 A - (A)** Ordering - example

\* Optional. If -A is added to the order designation, the 3120 is supplied with the mounted terminal shroud. Only available in combination with -P7 or -N7 terminal design variants.

**3120-N5 2 4 - PT T1-W 19 D G ...** Ordering example

# E-T-A® 3120-N...-...T1-... Thermal Circuit Breaker



## Ordering information

### Type no.

**3120** Thermal circuit breaker/switch combination with push button actuation

### Mounting method

**N3** Snap-in, mounting cut-out 50.5 x 21.5 mm

**N5** Snap-in, mounting cut-out 44.5 x 22 mm

### Number of poles

**1** 1-pole switching, 1-pole thermally protected

**2** 2-pole switching, 2-pole thermally protected

**5** 2-pole switching, 1-pole thermally protected

### Style

**D** With actuator guard

**E** With actuator guard and water splash cover IP54

**F** With power-on protection

**V** With power-on protection and water splash cover IP54

### Terminal design

**PT** Push-in terminals

**P7** Blade terminals

**H7** As P7, terminals 11 and 21 with flat head screws M3.5 - standard for units with undervoltage release module

**N7** As P7, with additional shunt terminals 12(i) and 22(i)

**G7** As N7, terminals 11 and 21 with additional flat head screws M3.5

### Trip curve

**T1** Thermal trip

### Actuator

**S** Two push buttons

### Colour of push button/illumination (Style D and F without water splash protection)

**GRD** Green/red without illumination

**GRDG** Green with LED illumination/red without illumination

### Colour of push button/illumination (Style E and V with water splash protection)

**GRX** Green/red without illumination

**GRXG** Green with LED illumination/red without illumination

### Illumination voltage range (= operating voltage)

**1** DC 12 V

**2** DC 24 V

**3** AC 115 V

**4** AC 230 V

**5** DC 48 V

**6** AC 400 V (for 2-pole versions up to 16 A)

### Current rating

**0.1 ... 20 A**

### Terminal shroud (optional)

**A** With terminal shroud, mounted\*

**3120-N3 5 V - PT T1-S GRD - 20 A - (A)** Ordering - example

## Ordering information

### Type no.

**3120** Thermal resettable circuit breaker with push button

### Mounting method

**N3** Snap-in, mounting cut-out 50.5 x 21.5 mm

**N5** Snap-in, mounting cut-out 44.5 x 22 mm

### Number of poles

**1** 1-pole thermally protected

**2** 2-pole thermally protected

**5** 2-pole, 1-pole thermally protected

### Style

**G** Resettable circuit breaker

### Terminal design

**PT** Push-in terminals

**P7** Blade terminals

**H7** As P7, terminals 11 and 21 with flat head screws M3.5 - standard for units with undervoltage release module

**N7** As P7, with additional shunt terminals 12(i) and 22(i)

**G7** As N7, terminals 11 and 21 with additional flat head screws M3.5

### Trip curve

**T1** Thermal trip

### Actuator

**D** One push button

### Colour of push button

**01** Black

**02** White opaque

**04** Red opaque (UL/CSA approval only)

**09** Green opaque

### Marking of the push button

**X** Without marking

### Current rating

**0.1 ... 20 A**

### Terminal shroud (optional)

**A** With terminal shroud, mounted\*

**3120-N3 2 G - PT T1 - D 01 - X 20 A - (A)** Ordering - example

Please observe our minimum ordering quantities.

\* Optional. If -A is added to the order designation, the 3120 is supplied with the mounted terminal shroud. Only available in combination with -P7 or -N7 terminal design variants.

## Customer-specific solutions

Looking for a version you cannot find in our order numbering code? Please get in touch.

# E-T-A® 3120-N...-...T1-... Thermal Circuit Breaker

## Approvals

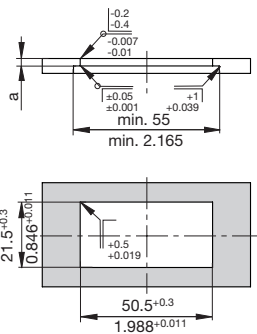
Approval authority	Standard	Rated voltage	Current rating range	Appr.-marks
VDE	IEC/EN 60934	AC 240 V DC 50 V DC 50 V DC 28 V	0.1 A ... 20 A 0.1 ... 20 A (2-pole) 0.1 ... 16 A (1-pole) 0.1 A ... 20 A	
UL	UL 1077	AC 250 V AC 250 V DC 50 V AC 250 V	0.1 A ... 16 A (TC1, OL1) 17 A ... 20 A (TC1, OL0) 0.1 A ... 20 A (TC1, OL0) 30 A* (TC1, OL0)	
CSA	C22.2 No 235	AC 250 V AC 250 V DC 50 V AC 250 V	0.1 A ... 16 A (TC1, OL1) 17 A ... 20 A (TC1, OL0) 0.1 A ... 20 A (TC1, OL0) 30 A* (TC1, OL0)	
CQC	GB 17701	AC 240 V DC 50 V	0.1 A ... 20 A 0.1 A ... 20 A	
KTL	KC60934	AC 240 V	0.1 ... 20 A (2-pole)	

\* 2 poles in parallel

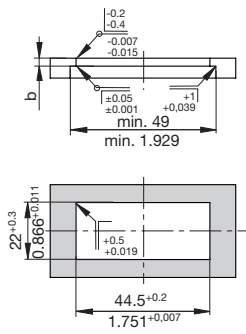
## Mounting method

### Mounting method

mounting cut-out -N3



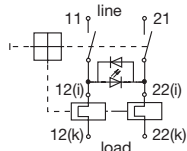
mounting cut-out -N5



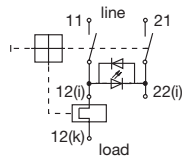
Panel thickness	Style variants 1/3/6/7/A/D/F/G	Style variants 4, E and V
a	1 – 6.35 mm	1 – 5.5 mm
b	1 – 4 mm	1 – 3.2 mm

## Schematic diagrams

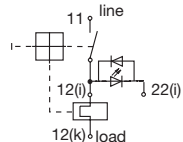
### 2-pole switching and 2-pole thermally protected



### 2-pole switching and 1-pole thermally protected

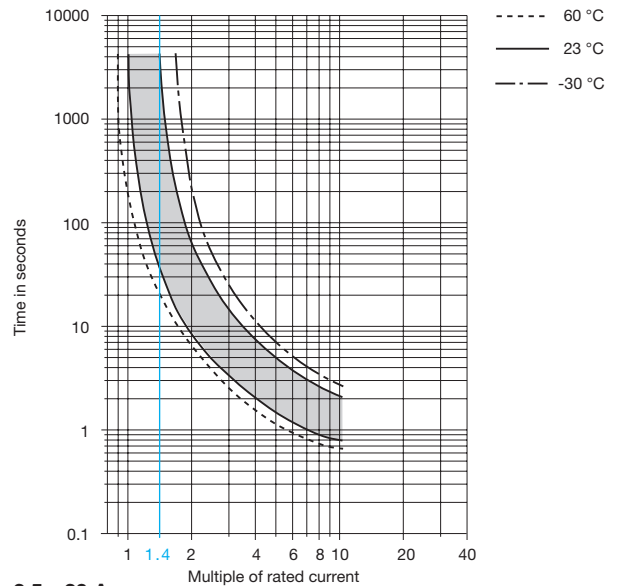


### 1-pole switching and 1-pole thermally protected

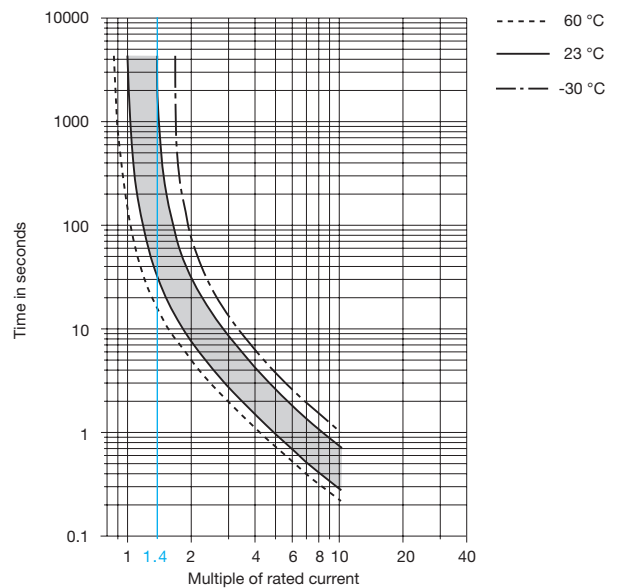


## Time/current characteristics

### 0.1...2 A



### 2.5...20 A

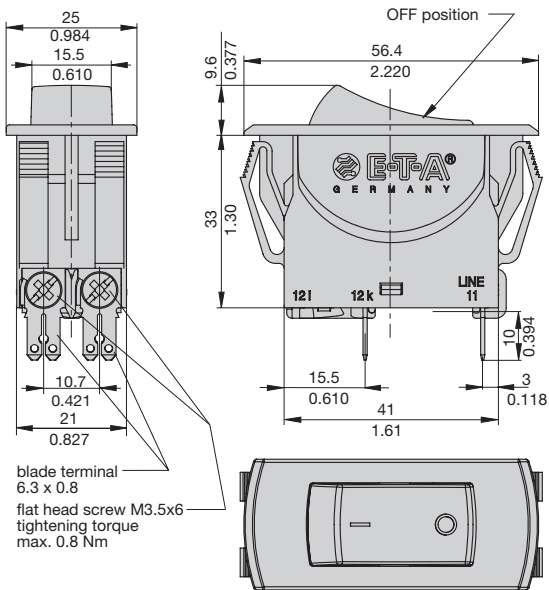


The time/current characteristic depends on the ambient temperature. In order to eliminate nuisance or late tripping, please multiply the current rating of the circuit breaker by a temperature factor (see chapter Technical Information) For detailed technical information please see [www.e-t-a.de/ti\\_e](http://www.e-t-a.de/ti_e)

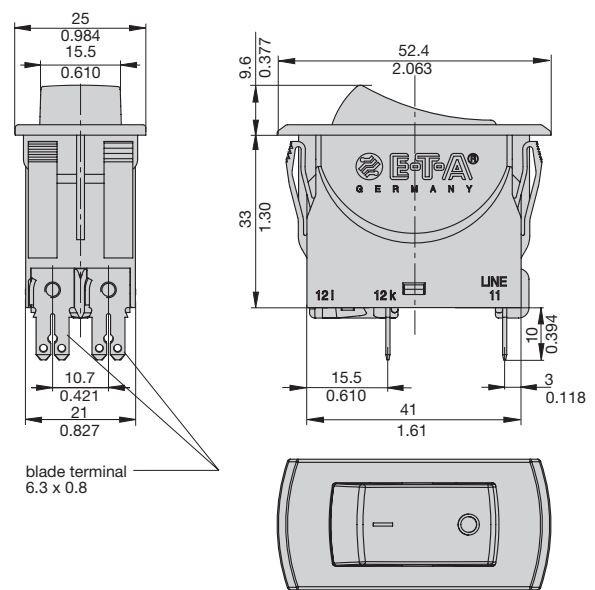
Ambient temperature [°C]	-30	-20	-10	0	23	40	50	60
Temperature factor	0.8	0.84	0.88	0.92	1	1.08	1.14	1.23

## Dimensions

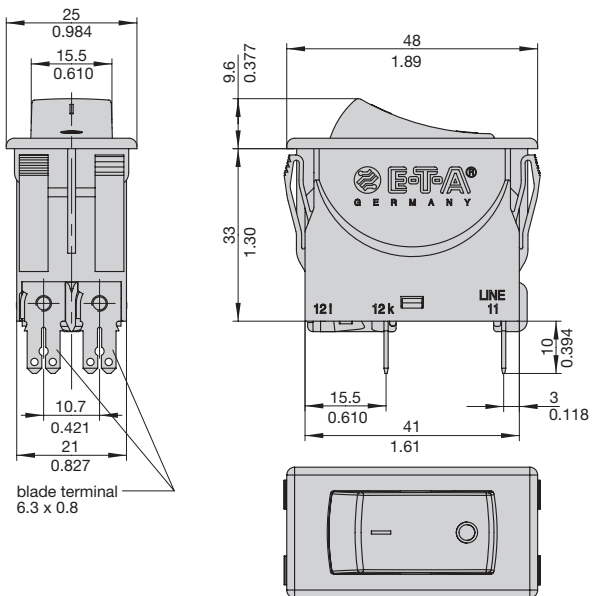
**3120-N3.1-H7...**



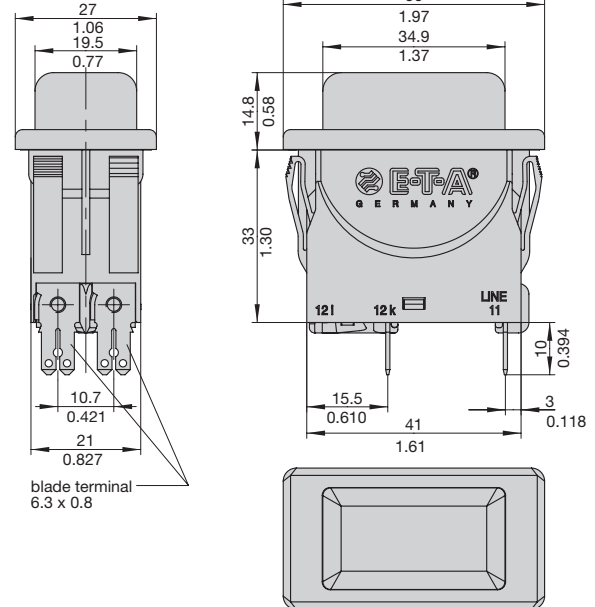
**3120-N5.1-P7...**



**3120-N5.6-P7...**

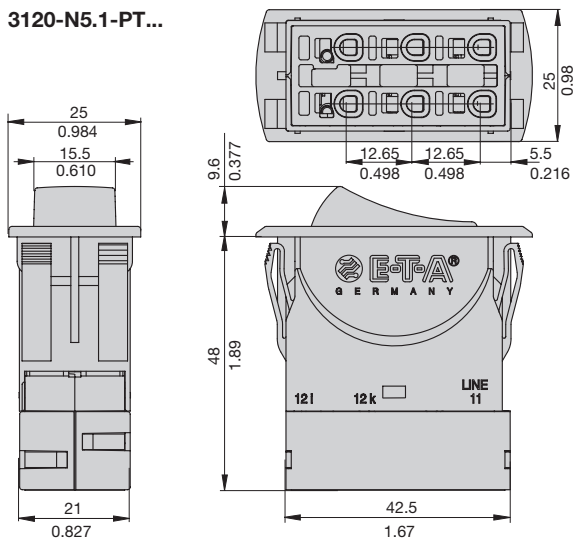


**3120-N5.7-P7...**

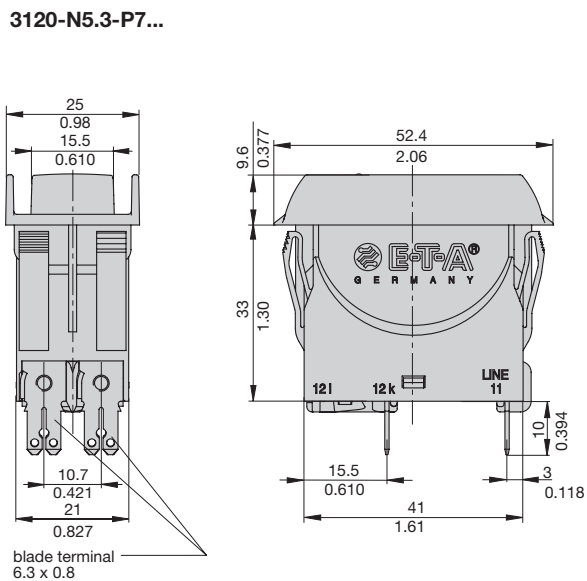


## Dimensions

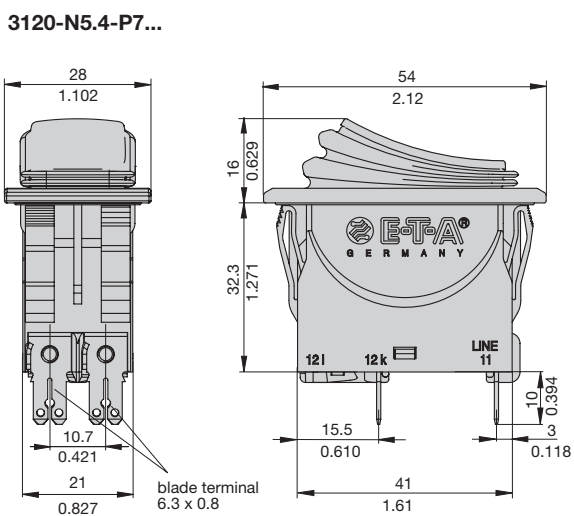
3120-N5.1-PT...



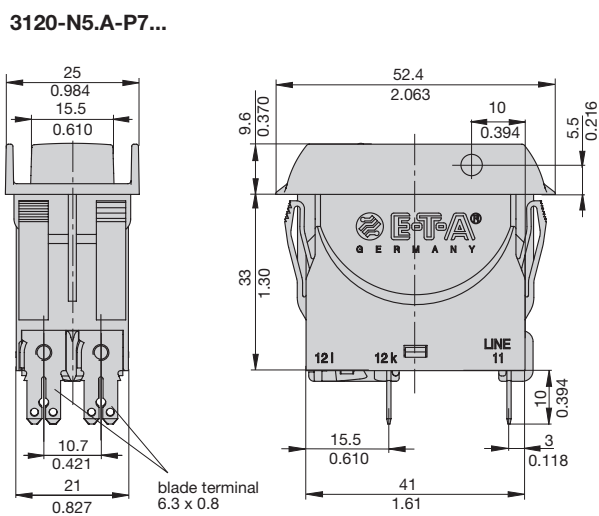
3120-N5.3-P7...



3120-N5.4-P7...



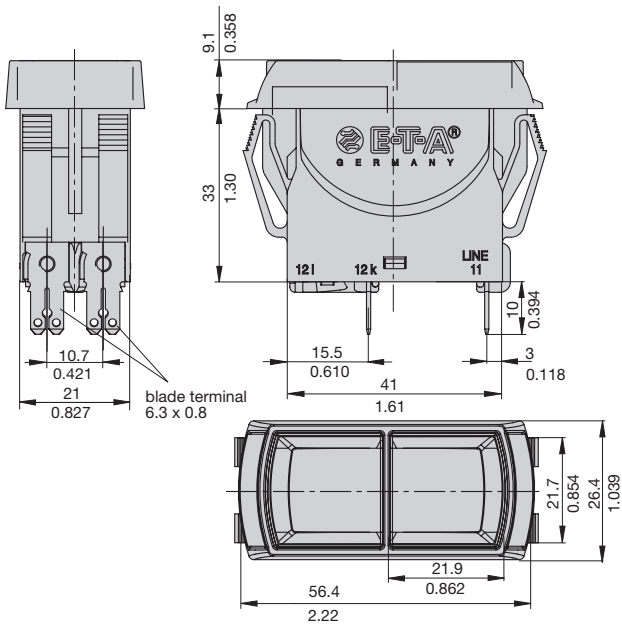
3120-N5.A-P7...



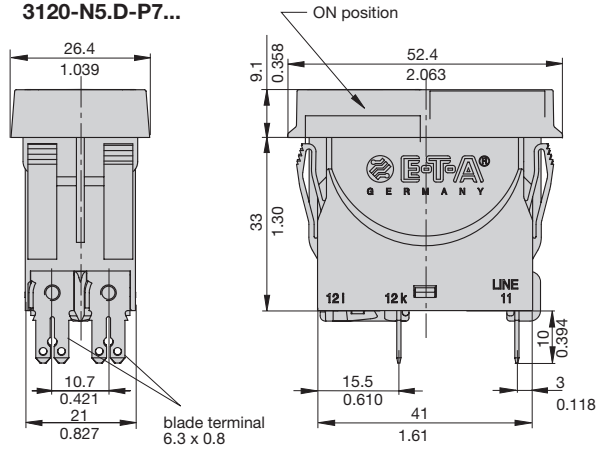
1

## Dimensions

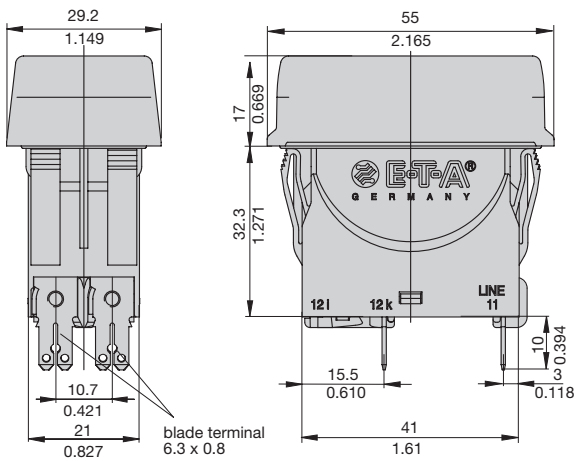
**3120-N3.D-P7...**



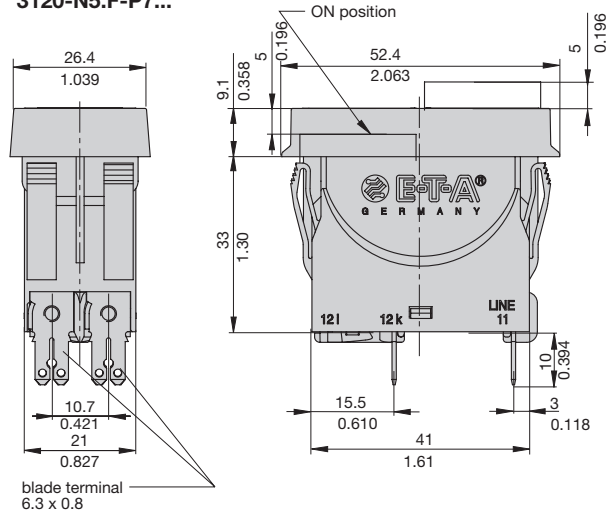
**3120-N5.D-P7...**



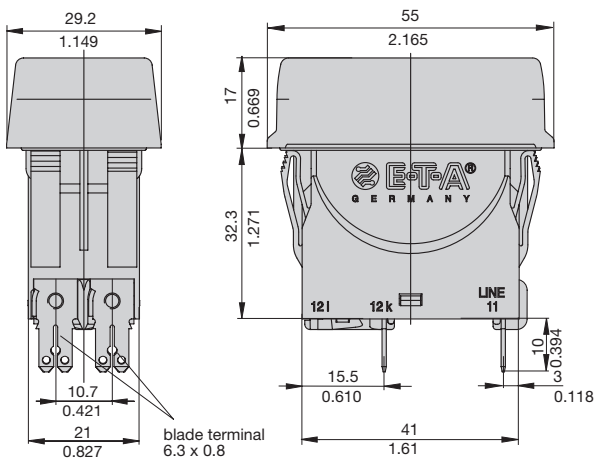
**3120-N5.E-P7...**



**3120-N5.F-P7...**



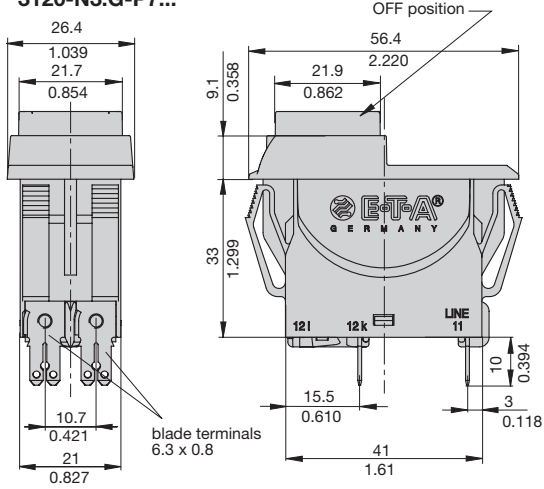
**3120-N5.V-P7...**



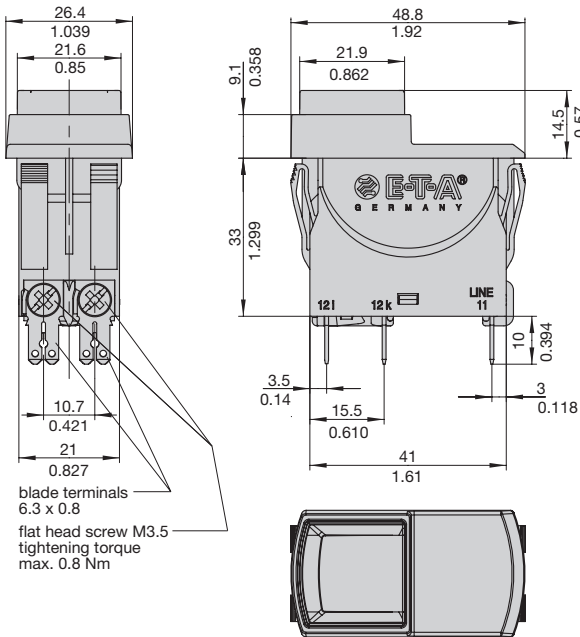


Dimensions

3120-N3.G-P7...



3120-N5.G-P7...

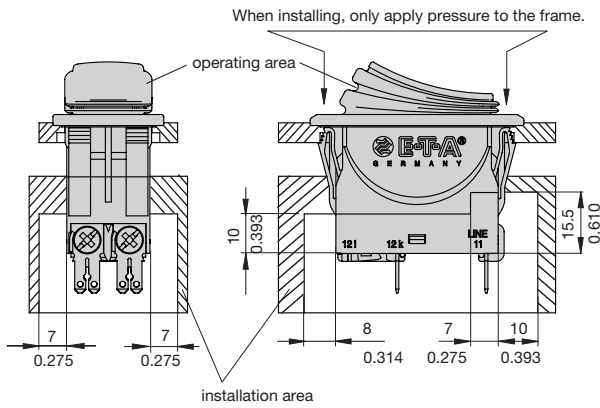


## Cable cross sections PT terminals

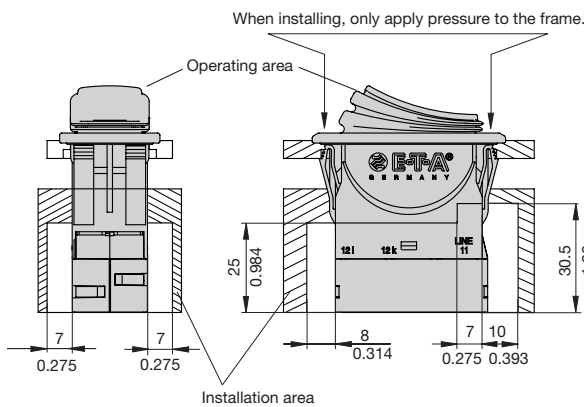
Cable	Cross section with direct push-in wiring
rigid	1...4 mm <sup>2</sup> (stripping length: 10 mm)
flexible with wire end ferrule (with or without plastic sleeve)	0.5...2.5 mm <sup>2</sup> , length of metal sleeve 8 - 12 mm
Cable	Cross section when opening the push-in terminals
rigid	0.5...4 mm <sup>2</sup> (stripping length: 10 mm)
flexible without wire end ferrule	0.5...2.5 mm <sup>2</sup>
flexible with wire end ferrule (with or without plastic sleeve)	0.5...2.5 mm <sup>2</sup> , length of metal sleeve 8 - 12 mm

## Installation drawing

### 3120 with blade terminals



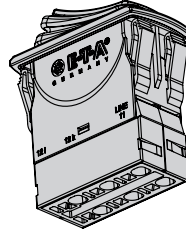
### 3120 with push-in terminals



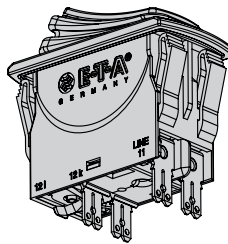
## Terminal types

### 2-pole switching and 2-pole thermally protected

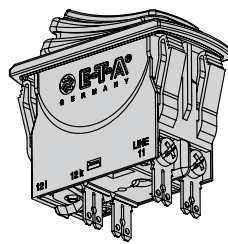
3120-N524-PT



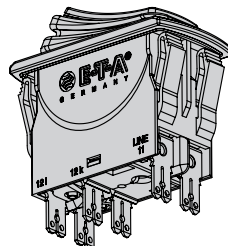
3120-N524-P7



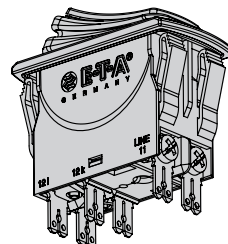
3120-N524-H7



3120-N524-N7

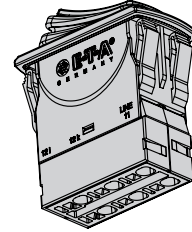


3120-N524-G7

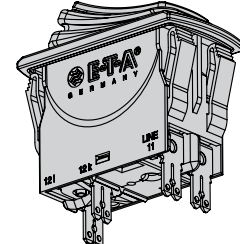


### 2-pole switching and 1-pole thermally protected

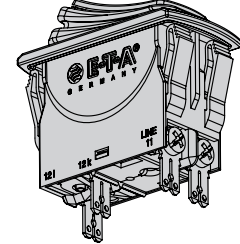
3120-N554-PT



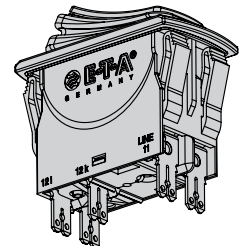
3120-N554-P7



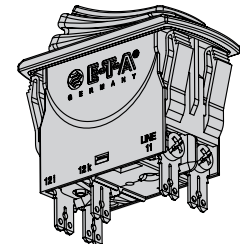
3120-N554-H7



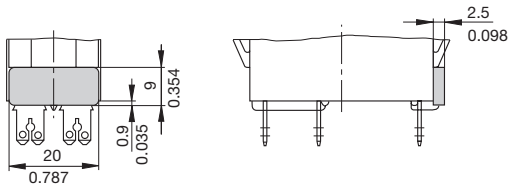
3120-N554-N7



3120-N554-G7



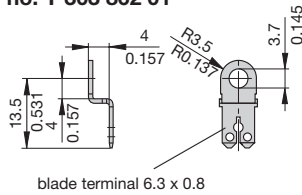
## Terminal shroud



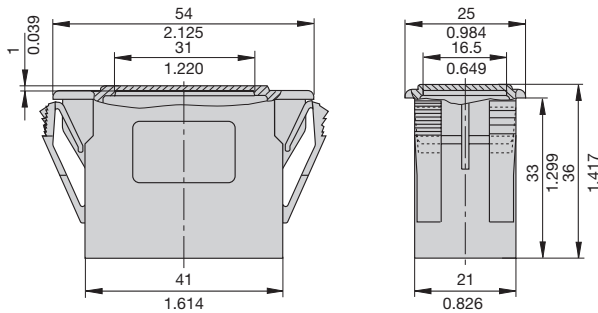
Optionally available in combination with -P7 or -N7 terminal design variants. For details, see ordering information.

## Accessories

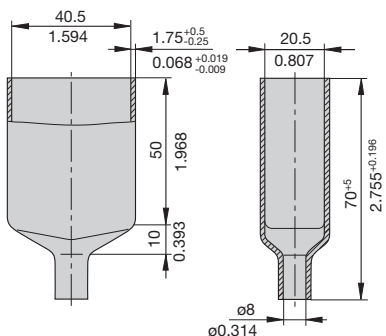
### Terminal adapter order no. Y 303 862 01



### Cover for -N3 mounting cut-out order no. Y 303 885 31



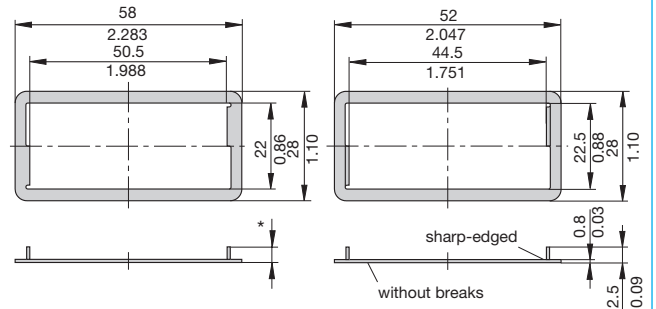
### Cover for terminal area (IP20) order no. Y 304 275 01



## Accessories

### Snap-in frame for 3120-N3... order no. Y 303 675 01/02

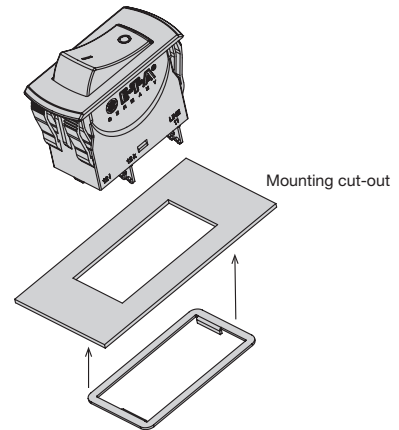
### Snap-in frame for 3120-N5... order no. Y 303 676 01



\* Y 303 675 01 can only be used for mounting panel thickness < 2 mm  
\* Y 303 675 02 can only be used for mounting panel thickness < 4 mm

The snap-in frame is used in special cases to ensure a tight fit of the circuit breaker in the mounting cut-out, e.g. in case of dimensional tolerances, soft materials or if the specified edge condition cannot be maintained.

### Snap-in frame mounting



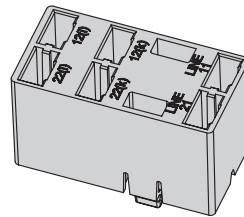
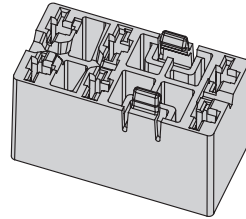
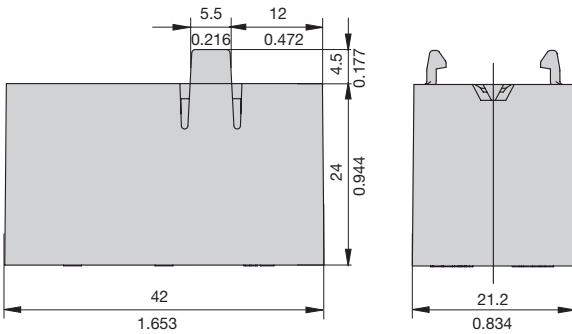
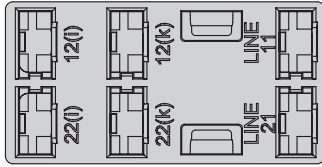
All information and data given on our products are accurate and reliable to the best of our knowledge, but E-T-A does not accept any responsibility for the use in applications which are not in accordance with the present specification. E-T-A reserves the right to change specifications at any time in the interest of improved design and performance. Dimensions are subject to change without notice. Please enquire for the latest dimensional drawing with tolerances if required. All dimensions, data, pictures and descriptions are for information only and are not binding. Amendments, errors and omissions excepted. Part numbers of the devices may differ from their marking.

## Accessories

### Connection adapter

Order number Y 31214001

For pre-assembly of the connection cables. Two snap-in hooks ensure a firm plug-in connection.



### Benefits:

- Time and cost savings during final assembly
- Quick replacement of devices
- Cover for the blade terminals (IP20)

### Note:

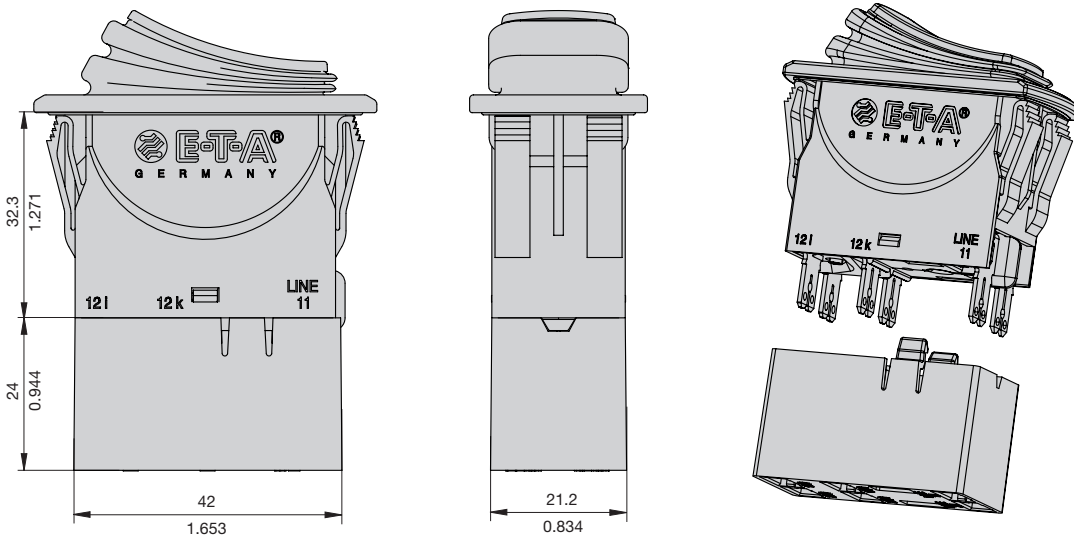
Supplied without female contacts.

The chamber dimensions for the female contacts (plug width 6.3 mm) are in accordance with DIN 46340 Part 3, Form A.

Examples of suitable receptacles: Stocko RSB 7916 F6.3-1, Klauke type 2730, Vogt type 3832d.67.

TE FASTON Terminals 250 Series, Delphi Packard 58 Series;

Connection adapter plugged onto circuit breaker:



## Description – appliance inlet module X3120 A/B

The X3120 appliance inlet module with 3120- N5 circuit breaker combines up to four functions within a single component: A C14/C20 appliance inlet, an ON/ OFF switch, resettable overcurrent protection and a line filter. Screw-type mounting from the front or from the rear.

## Typical applications

Electrical medical apparatus, laboratory equipment, professional audio equipment and office machines.

## Approvals

### X3120-A – C14 inlet plugs

Approval authority	Standard	Rated voltage	Max. current rating
ENEC	IEC/EN 60320-1	AC 240 V	10 A
UL/CSA <sup>1)</sup>	UL 60320-1, CSA C22.2 no. 60320-1	AC 250 V	15 A
CQC	CCC	AC 250 V	10 A

<sup>1)</sup> X3120-A0400 also available with overall approval according to UL 60320-1 at max. 15 A rated current.

### X3120-A - filter

Design to UL 1283, CSA 22.2 No. 8 1986, IEC/EN 60939

### X3120-B – C20 inlet plugs

Approval authority	Standard	Rated voltage	Max. current rating
ENEC	IEC/EN 60320-1	AC 240 V	16 A
UL/CSA <sup>2)</sup>	UL 60320-1, CSA C22.2 no. 60320-1	AC 240 V	20 A

<sup>2)</sup> X3120-B0400 also available with overall approval according to UL 60320-1 at max. 20 A rated current.

Please note: the current rating of the circuit breaker must not exceed the max. current of the filter/inlet plug, depending on the approval.

## Selection of filter rating

Current rating of circuit breaker	Min. rating of filter
0.1 ... 1 A	1 A
1.2 ... 3 A	3 A
3.5 ... 6 A	6 A
7 ... 8 A	8 A
9 ... 10 A	10 A
12 A	12 A
14 ... 15 A	15 A

The current rating of the circuit breaker must not be higher than the filter current rating. For best attenuation a filter with the smallest possible current rating should be selected. Depending on the IEC/EN or UL/CSA approval, other maximum values are permissible for the inlet plug. The table above serves as orientation.

For protection of the filter in the event of higher overcurrents, we recommend 3120- N circuit breakers with thermal-magnetic trip (3120- N...-M1...).

For further technical information please refer to page 21.



## Ordering information

### Type no.

**X3120** Appliance inlet module for circuit breaker type 3120- N

### Module

**A** C14 appliance inlet  
(can be combined with 3120-N5.6/-N5.7/-N5.G)

**B** C20 appliance inlet  
(without filter, can be combined with 3120-N5.6/-N5.G)

### Mounting method

**04** Screw-type mounting

### Filters

**00** Without filter

**01** Standard line filter

**03** Standard line filter for medical equipment

**06** High-power line filter for medical equipment

### Current rating for filter (only with module A)

**01** 1 A

**03** 3 A

**06** 6 A

**08** 8 A

**10** 10 A

**12** 12 A

**15** 15 A

### Version

**01** Not wired, mounting position 3120:  
OFF position at connector

**11** Wired; mounting position 3120:  
OFF position at connector

### Supply status

**M** Module supplied with mounted  
3120 circuit breaker and connector

**X3120- A 04 01 08 01 M** Ordering example

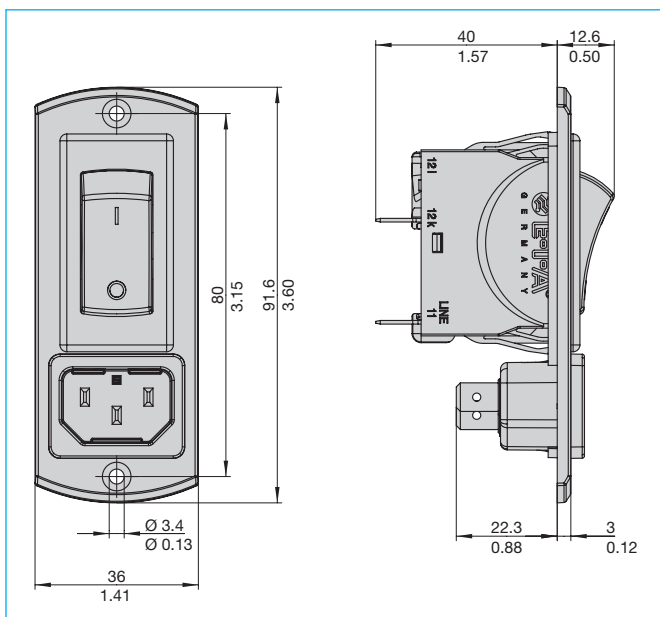
Note: the power entry module is only available as a ready-to-use unit including the 3120 circuit breaker, C14/C20 appliance inlet and wiring (if selected).

All information and data given on our products are accurate and reliable to the best of our knowledge, but E-T-A does not accept any responsibility for the use in applications which are not in accordance with the present specification. E-T-A reserves the right to change specifications at any time in the interest of improved design and performance. Dimensions are subject to change without notice. Please enquire for the latest dimensional drawing with tolerances if required. All dimensions, data, pictures and descriptions are for information only and are not binding. Amendments, errors and omissions excepted. Part numbers of the devices may differ from their marking.

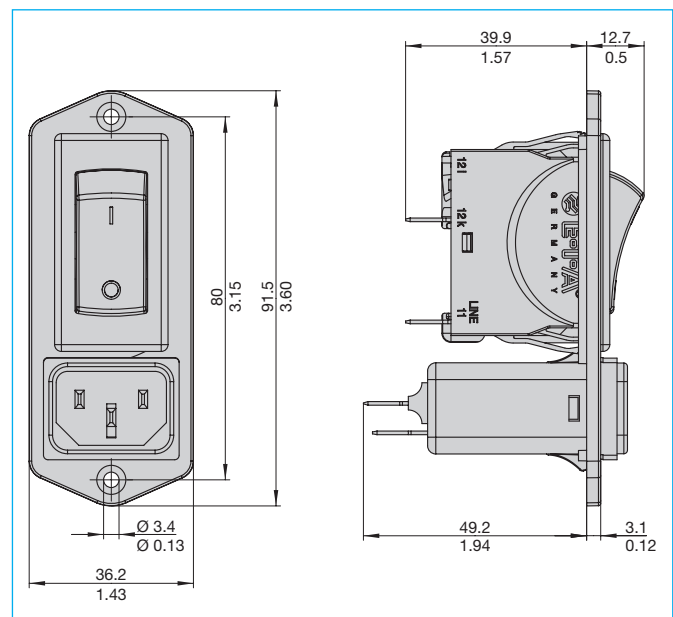
## Technical data

	X3120-A0400 (without filter)	X3120-A040x	X3120-B0400
Rated voltage	AC 250 V	AC 250 V	AC 250 V
Current rating (appliance inlet)	10 A (IEC/EN) 15 A (UL/CSA)	10 A (IEC/EN) 15 A (UL/CSA)	16 A (IEC/EN) 20 A (UL/CSA)
Ratings of filter		1 A, 3 A, 6 A, 8 A, 10 A, 12 A, 15 A	
Operating temperature	-25°C ... +60°C	-25°C ... +60°C	-25°C ... +60°C
Number of poles	L, N + mass	L, N + mass	L, N + mass
Degree of protection	I	I	I
Mounting method	Screw-type mounting (from the front or from the rear)	Screw-type mounting (from the front or from the rear)	Screw-type mounting (from the front or from the rear)
Terminals	DIN46244 blade terminal 6.3 mm x 0.8 mm	DIN46244 blade terminal 6.3 mm x 0.8 mm	DIN46244 blade terminal 6.3 mm x 0.8 mm
Housing material	Thermoplastics, black, UL94V-0	Thermoplastics, black, UL94V-0	Thermoplastics, black, UL94V-0
Appliance inlet:	C14 to IEC/EN 60320-1, UL 60320-1, CSA C22.2 no. 60320 - 1	C14 with line filter to IEC/EN 60939, UL 1283, CSA 22.2 no. 8	C20 to IEC/EN 60320-1, UL 60320-1, CSA C22.2 no. 60320-1
Main switch	circuit breaker for equipment protection 3120-N5.6 3120-N5.7 3120-N5.G	circuit breaker for equipment protection 3120-N5.6 3120-N5.7 3120-N5.G	circuit breaker for equipment protection 3120-N5.6 3120-N5.G

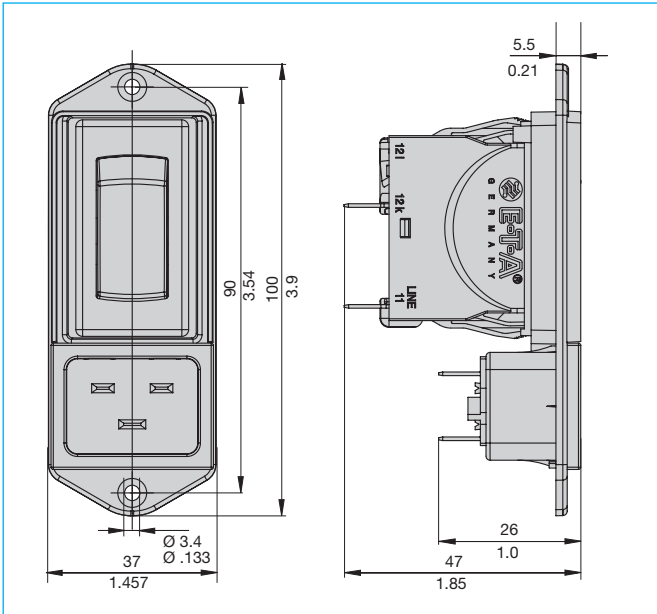
### X3120-A0400 dimensional drawing (in fig. with 3120-N5.6)



### X3120-A040x dimensional drawing (in fig. with 3120-N5.6)

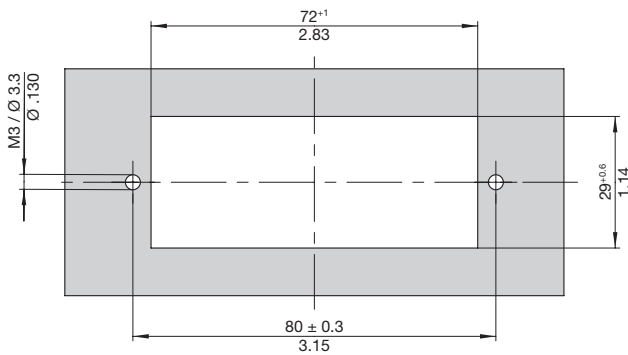


**X3120-B0400 dimensional drawing**  
(in fig. with 3120-N5.6)

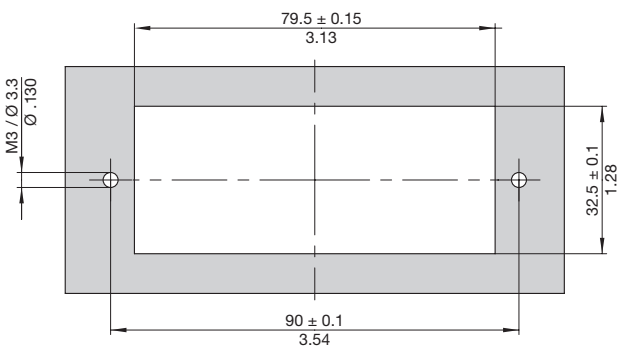


**Mounting cut-out**

**X3120-A0400**  
**X3120-A040x**

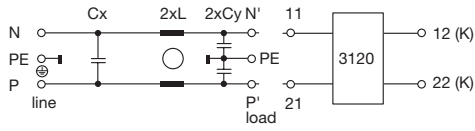


**X3120-B0400**

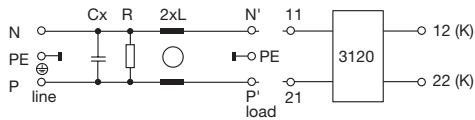


## Schematic diagram X3120-A

**X3120-A0401**  
Standard filter



**X3120-A0403 and X3120-A0406**  
Line filter for medical equipment

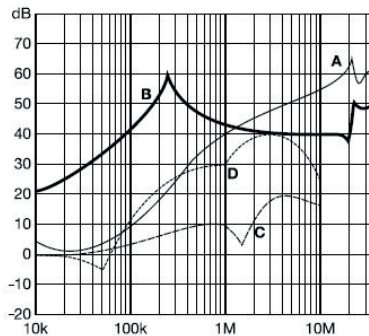


## X3120-A0401 and X3120-A0403 – standard filters

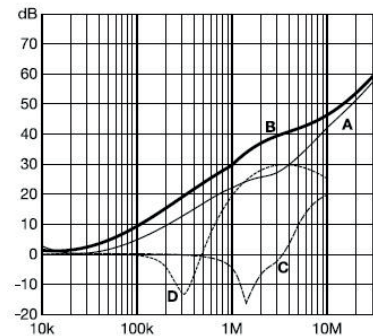
Typical filter attenuation: to CISPR 17

A = 50 Ω / 50 Ω sym; B = 50 Ω / 50 Ω asym; C = 0.1 Ω / 100 Ω sym; D = 100 Ω / 0.1 Ω sym

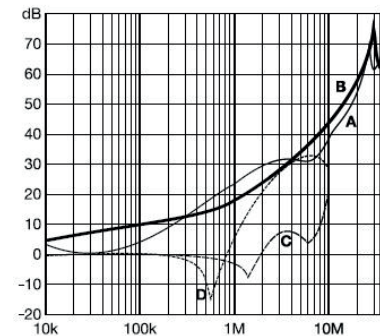
1 and 3 A models



6 – 10 A models



12 and 15 A models

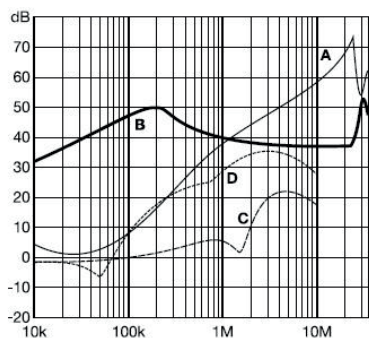


## X3120-A0406 – high-power filters

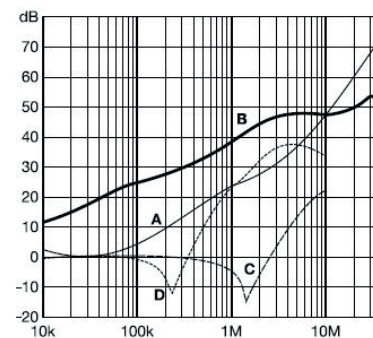
Typical filter attenuation: to CISPR 17

A = 50 Ω / 50 Ω sym; B = 50 Ω / 50 Ω asym; C = 0.1 Ω / 100 Ω sym; D = 100 Ω / 0.1 Ω sym

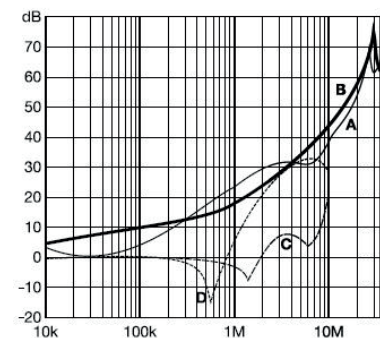
1 and 3 A models



6 – 10 A models



12 and 15 A models





**Filter selection table**

Filters	Current rating 50 °C (25 °C) A	Leakage current 250VAC/50Hz μA	Inductance L mH	Capacity Cx μF	Capacity Cy nF	Resistance R kΩ
X3120-A040101..M	1 (1.2)	373	12	0.1	2.2	
X3120-A040103..M	3 (3.5)	373	2.5	0.1	2.2	
X3120-A040106..M	6 (7.2)	373	0.78	0.1	2.2	
X3120-A040108..M	8 (10.6)	373	0.5	0.1	2.2	
X3120-A040110..M	10 (11.6)	373	0.225	0.1	2.2	
X3120-A040112..M	12 (12)	373	0.11	0.1	2.2	
X3120-A040115..M	15 (15)	373	0.075	0.1	2.2	
X3120-A040301..M	1 (1.2)	2	12	0.1		1000
X3120-A040303..M	3 (3.5)	2	2.5	0.1		1000
X3120-A040306..M	6 (7.2)	2	0.78	0.1		1000
X3120-A040308..M	8 (10.6)	2	0.5	0.1		1000
X3120-A040310..M	10 (11.6)	2	0.225	0.1		1000
X3120-A040312..M	12 (12)	2	0.11	0.1		1000
X3120-A040315..M	15 (15)	2	0.075	0.1		1000
X3120-A040601..M	1 (1.2)	2	59.53	0.1		1000
X3120-A040603..M	3 (3.5)	2	13.45	0.1		1000
X3120-A040606..M	6 (7.2)	2	4.1	0.1		1000
X3120-A040608..M	8 (10.6)	2	2.3	0.1		1000
X3120-A040610..M	10 (11.6)	2	1.02	0.1		1000
X3120-A040612..M	12 (12)	2	0.58	0.1		1000
X3120-A040615..M	15 (15)	2	0.4	0.1		1000

## Description X3120-U undervoltage release module

The undervoltage release module reliably excludes personal injury through automatic re-start after voltage dip or power failure.

**Note:** 3120- N...-H7 or -G7 basic device requires screw terminals. Not possible in combination with PT terminals.

Applies in combination with design variant 4 (accordion-style):  
In the event of voltage dip or power failure, the undervoltage release module switches Circuit breaker off. The rocker actuator will go into centre position. Reset is effected in two steps:  
Step 1: Switch rocker into OFF position.  
Step 2: Reset circuit breaker.

Not possible with style configurations D and E.

## Typical applications

All machines that could cause personal injury upon automatic re-start, e.g. drilling machines, electric saws, meat cutting machines etc.

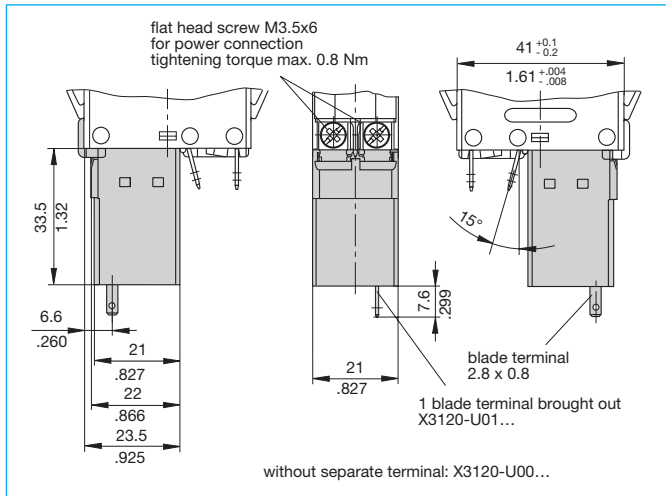
The X3120-U02 version allows set up of a cost-effective safety circuit via the physically isolated undervoltage release module, which enables implementation for example of a remote disconnection with emergency stop.

## Ordering information

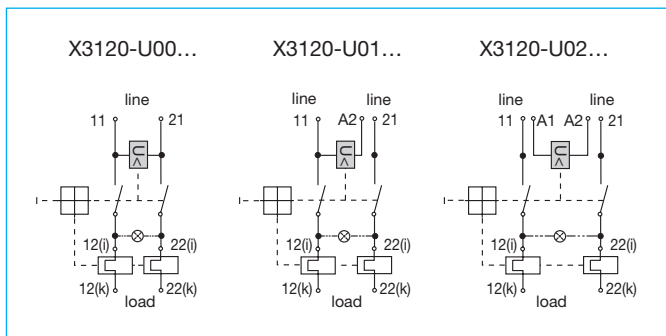
<b>Type no.</b>	
<b>X3120</b>	Module for 3120-N device
<b>Module</b>	
<b>U</b>	Undervoltage release module
<b>Design</b>	
<b>00</b>	Standard (without separate connections)
<b>01</b>	1 blade terminals 2.8x0.8
<b>02</b>	2 blade terminals 2.8x0.8
<b>Rated voltage</b>	
<b>00</b>	AC 230/240 V 50/60 Hz
<b>01</b>	AC 120 V 50/60 Hz
<b>02</b>	AC 100 V 50/60 Hz
<b>03</b>	DC 24 V
<b>04</b>	AC 400 V 50/60 Hz
<b>Supply status</b>	
<b>M</b>	Module mounted to circuit breaker 3120
<b>X3120- U 00 00 M</b>	Ordering example

All information and data given on our products are accurate and reliable to the best of our knowledge, but E-T-A does not accept any responsibility for the use in applications which are not in accordance with the present specification. E-T-A reserves the right to change specifications at any time in the interest of improved design and performance. Dimensions are subject to change without notice. Please enquire for the latest dimensional drawing with tolerances if required. All dimensions, data, pictures and descriptions are for information only and are not binding. Amendments, errors and omissions excepted. Part numbers of the devices may differ from their marking.

## Dimensions – undervoltage release module



## Schematic diagrams



## Technical data

<b>Voltage ratings:</b>	AC 100 V; AC 120 V; AC 230/240 V; AC 400 V (50/60 Hz) DC 24 V
<b>Voltage tolerances</b>	+ 10 %/- 15 %
<b>Typical life</b>	20,000 cycles
<b>Current consumption</b>	approx. 2.5 mA
<b>Release values</b>	$0.2 \times U_N < U < 0.7 \times U_N$ (at a rated voltage of AC 100 V the device can trip at 70 V and must trip at 20 V)
<b>Trip time</b>	< 20 ms
<b>Latch-in values</b>	$\geq 85 \% U_N$
<b>Ambient temperature</b>	-30 ... 60 °C
<b>Vibration</b>	8 g (57-500 Hz), $\pm 0.61$ mm (10-57 Hz) Test to IEC 60068-2-6, Test Fc 10 frequency cycles/axis
<b>Shock</b>	30 g (11 ms) Test to IEC 60068-2-27, Test Ea
<b>Corrosion</b>	48 hours at 5 % salt mist, Test to IEC 60068-2-11, Test Ka
<b>Humidity</b>	240 hours in 95 % RH Test to IEC 60068-2-78, Test Cab
<b>Mass</b>	approx. 56 g (including base device)

## Description X3120-S auxiliary contact module

Add-on module for circuit breaker type 3120-F. The auxiliary contact module has a change-over contact as signal contact and is operated with actuation of the CBE.

**Note:** Only possible with terminal versions N7 and P7.

## Typical applications

Status monitoring of CBE and/or the connected loads.

## Ordering information

### Type no.

**X3120** Module for 3120-N device

### Module

**S** Auxiliary contact module

### Design

**0** Change-over contact

### Terminal design

**1** Blade terminals

### Key for rated power

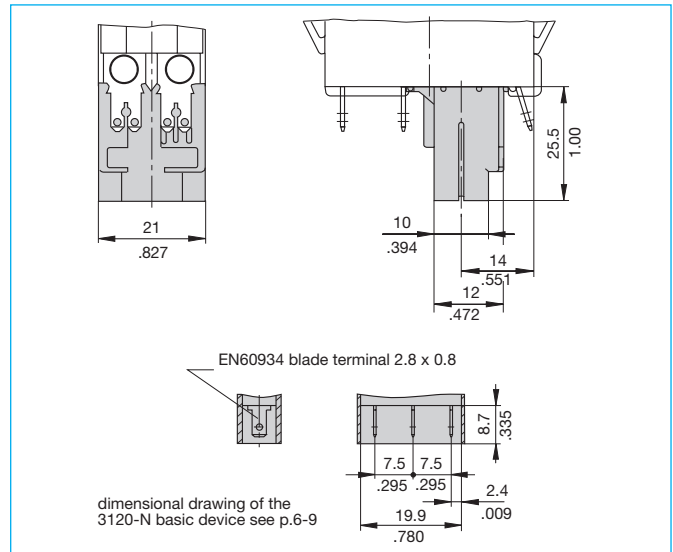
<b>A</b> AC 10 V – AC 250 V	0.1 ... 4 A
DC 12 V	0.1 ... 4 A
DC 24 V	0.1 ... 4 A
DC 60 V	0.1 ... 1 A
DC 110 V	0.1 ... 0.5 A
DC 220 V	0.1 ... 0.25 A
<b>B</b> AC 5 V – AC 250 V	5 ... 100 mA
DC 5 V – DC 250 V	5 ... 100 mA

### Supply status

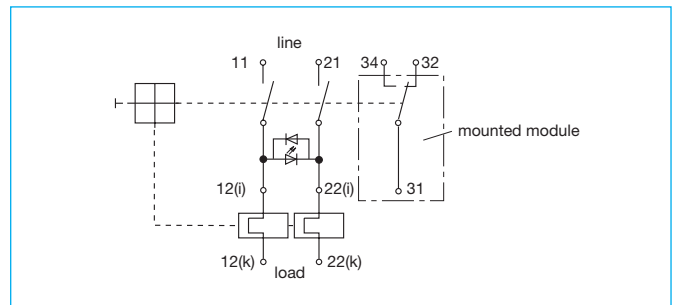
**M** Module mounted to 3120 circuit breaker

**X3120-S 0 1 A M** Ordering example

## Dimensions – auxiliary contact module



## Schematic diagram



## Technical data

Rated voltage	AC 250 V, DC 250 V
Current rating	0.1...4 A / 5...100 mA
Typical life	50,000 cycles
Ambient temperature	-30 ... 60 °C
<b>Dielectric strength</b>	
between main and auxiliary circuit	Test voltage AC 3,000 V
Insulation resistance	> 100 MΩ (DC 500 V)
Vibration	6 g (57-500 Hz), ± 0.46 mm (10-57 Hz) Test to IEC 60068-2-6, Test Fc 10 frequency cycles/axis
Shock	15 g (11 ms) Test to IEC 60068-2-27, Test Ea
Corrosion	96 hours at 5 % salt mist, Test to IEC 60068-2-11, Test Ka
Humidity	240 hours in 95 % RH Test to IEC 60068-2-78, Test Cab
Mass	approx. 41 g (including base device)

All information and data given on our products are accurate and reliable to the best of our knowledge, but E-T-A does not accept any responsibility for the use in applications which are not in accordance with the present specification. E-T-A reserves the right to change specifications at any time in the interest of improved design and performance. Dimensions are subject to change without notice. Please enquire for the latest dimensional drawing with tolerances if required. All dimensions, data, pictures and descriptions are for information only and are not binding. Amendments, errors and omissions excepted. Part numbers of the devices may differ from their marking.

## Description X3120-M remote trip module

By applying voltage (pulse) to the remote trip module the 3120-N circuit breaker can be tripped electrically.

**Note:** Not possible in combination with PT terminals.

## Typical applications

Electrical remote trip of safety systems.

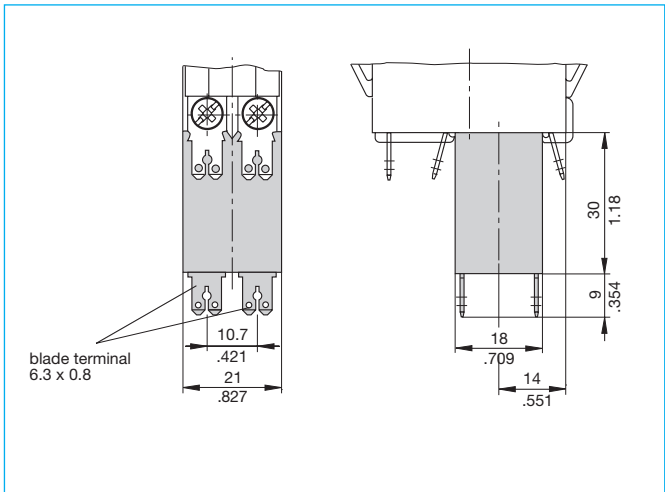
## Ordering information

<b>Type no.</b>	X3120	Module for 3120-N device
<b>Module</b>	M	Magnetic relay trip module
<b>Design</b>	2	Magnetic coil physically isolated from device
<b>Terminal design</b>	P7	Blade terminals
<b>Supply status</b>	M	Module is only supplied mounted to base device
<b>Rated voltage</b>	AC 120, 230 V DC 12, 24 V	
<b>Ordering example</b>	X3120- M 2 P7 M -12 V	

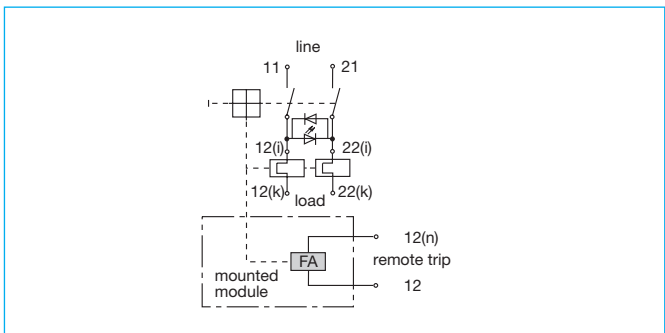
## Standard voltage ratings and typical internal resistance values

Rated voltage	Internal resistance (Ω)	Rated voltage	Internal resistance (Ω)
DC 12 V	0.78	AC 120 V	71.0
DC 24 V	3.3	AC 230 V	312

## Dimensions – remote trip module



## Schematic diagram



## Technical data

Voltage ratings	AC 120...230 V; DC 12...24 V
Power consumption	approx. 200 Watt
Pulse operation	20 ms < t <sub>on</sub> < 100 ms t <sub>off</sub> > 10 sec
Trip time	< 20 ms
Typical life	50,000 operations at U <sub>N</sub>
Ambient temperature	-30 ... 60 °C
<b>Dielectric strength</b>	
between main and trip current circuit	Test voltage AC 3,000 V
Insulation resistance	> 100 MΩ (DC 500 V)
Vibration	8 g (57-500 Hz), ± 0.61 mm (10-57 Hz) Test to IEC 60068-2-6, Test Fc 10 frequency cycles/axis
Shock	30 g (11 ms) Test to IEC 60068-2-27, Test Ea
Corrosion	96 hours at 5 % salt mist, Test to IEC 60068-2-11, Test Ka
Humidity	240 hours in 95 % RH Test to IEC 60068-2-78, Test Cab
Mass	approx. 56 g (including base device)

All information and data given on our products are accurate and reliable to the best of our knowledge, but E-T-A does not accept any responsibility for the use in applications which are not in accordance with the present specification. E-T-A reserves the right to change specifications at any time in the interest of improved design and performance. Dimensions are subject to change without notice. Please enquire for the latest dimensional drawing with tolerances if required. All dimensions, data, pictures and descriptions are for information only and are not binding. Amendments, errors and omissions excepted. Part numbers of the devices may differ from their marking.

## Description

The 3120- N...-...M1-... thermal-magnetic circuit breaker/switch combination unites overcurrent protection and the function of an ON/OFF switch within a single component. The integral thermobimetal ensures ideally matched overload protection. The magnetic trip module trips the circuit breaker/switch combination at overload currents from four times rated current within milliseconds.

The 3120- N...-...M1-... meets the fire resistance requirements to EN 60335-1: 2007-02 Safety of household and similar electrical appliances.

## Typical applications

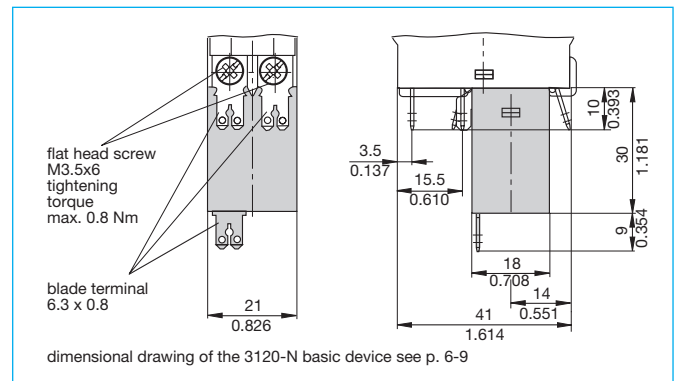
Electric motors, household appliances and office machines, electrical tools, power supplies, charging rectifiers

## Current ratings and internal resistance values

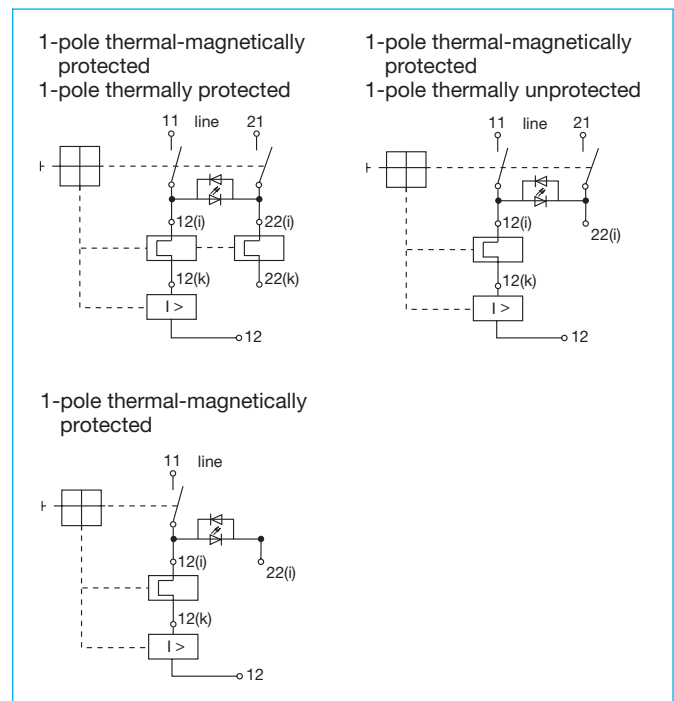
Current rating (A)	Internal resistance per pole ( $\Omega$ )	
	Thermal-magnetic	Thermal
0.1	165	94
0.2	42.5	24
0.3	20.2	12
0.4	9.7	5.40
0.5	7.17	4.30
0.6	4.9	3
0.8	2.65	1.50
1	1.49	0.9
1.2	1.25	0.7
1.5	0.74	0.45
2	0.49	0.29
2.5	0.20	0.0785
3	0.14	0.0595
3.5	0.114	0.0565
4	0.092	0.0435
5	0.06	0.0325
6	0.043	0.0215
7	0.030	0.0215
8	0.029	0.02
10	0.021	0.02
12	< 0.02	< 0.02
14	< 0.02	< 0.02
15	< 0.02	< 0.02
16	< 0.02	< 0.02



## Dimensions – magnetic trip module



## Schematic diagrams



## Technical data

For detailed technical information please see [www.e-t-a.de/ti\\_e](http://www.e-t-a.de/ti_e)

Rated voltage	AC 240 V, DC 50 V (AC 415 V upon request)
Current rating range	0.1 ... 16 A

### Typical life 1-pole

AC 240 V:	0.1 ... 16 A	30,000 cycles at 1 x I <sub>N</sub> , inductive
DC 50 V:	0.1 ... 4 A	30,000 cycles at 1 x I <sub>N</sub> , inductive
	4.5 ... 16 A	30,000 cycles at 1 x I <sub>N</sub> , resistive
DC 28 V:	0.1 ... 16 A	30,000 cycles at 1 x I <sub>N</sub> , inductive

### Typical life 2-pole

AC 240 V:	0.1 ... 16 A	50,000 cycles at 1 x I <sub>N</sub> , inductive
DC 50 V:	0.1 ... 16 A	50,000 cycles at 1 x I <sub>N</sub> , inductive

Ambient temperature	-30 ... 60 °C
Insulation coordination (IEC 60664)	2.5 kV / 2 Reinforced insulation in the operating area
Dielectric strength	
Operating area	Test voltage AC 3000 V
Current path/current path	Test voltage AC 1500 V
Insulation resistance	> 100 MΩ (DC 500 V)

### Rupture capacity I<sub>cn</sub> (IEC/EN 60934)

	I <sub>N</sub>	U <sub>N</sub>	I <sub>cn</sub>
1-pole, 2-pole	0.1 ... 2 A	AC 240 V / DC 28 V	100 x I <sub>N</sub>
1-pole	0.1 ... 10 A	DC 50 V	50 A
1-pole	2.5 ... 16 A	AC 240 V / DC 28 V	200 A
2-pole	0.1 ... 2 A	DC 50 V	10 x I <sub>N</sub>
2-pole	2.5 ... 16 A	DC 50 V	250 A
2-pole	2.5 ... 16 A	AC 240 V / DC 28 V	300 A

### Interrupting capacity I<sub>nc</sub> (UL 1077)

	I <sub>N</sub>	U <sub>N</sub>	I <sub>nc</sub>
1-pole, 2-pole	0.1 ... 10 A	AC 250 V	2,000 A, C, 1
1-pole, 2-pole	0.1 ... 16 A	AC 125 V	1,000 A, C, 1

### Degree of protection (IEC 60529)

Operating area	IP40 With water splash protection IP65
Terminal area	IP00 With water splash protection IP64
Vibration	8 g (57-500 Hz) ± 0.61 mm (10-57 Hz) Test to IEC 60068-2-6, Test Fc 10 frequency cycles/axis
Shock resistance	30 g (11 ms) Test to IEC 60068-2-27, Test Ea
Corrosion	96 hours in 5 % salt mist Test to IEC 60068-2-11, Test Ka
Humidity	240 hours in 95 % RH Test to IEC 60068-2-78, Test Cab
Mass	approx. 53 g (2-pole) approx. 50 g (1-pole)

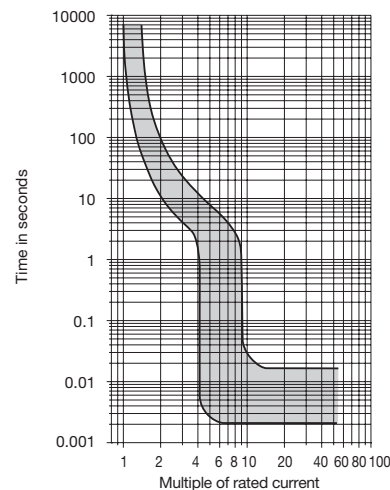
## Approvals

Approval authority	Standard	Rated voltage	Current rating range
VDE	IEC/EN 60934	AC 240 V DC 50 V	0.1 ... 16 A 0.1 ... 16 A
UL	UL 1077	AC 250 V AC 125 V	0.1 ... 10 A 0.1 ... 16 A
CSA	C22.2 No 235	AC 250 V AC 125 V	0.1 ... 10 A 0.1 ... 16 A
CQC (CCC)	GB 17701	AC 240 V DC 50 V	0.1 ... 16 A 0.1 ... 16 A

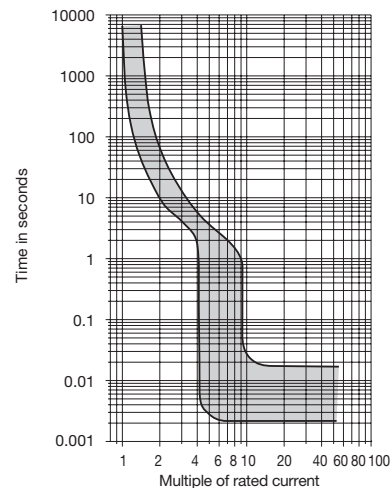
## Time/current characteristics

Total switch-off time at rated voltage and 1- or 2-pole load  
Ambient temperature 23 °C

### 0.1...2 A AC/DC<sup>1)</sup>



### 2.5...16 A AC/DC<sup>1)</sup>



<sup>1)</sup>With DC, the magnetic response values are higher by a factor of approx. 1.25.

The time/current characteristics depend on the ambient temperature. In order to eliminate nuisance or late tripping, please multiply the current rating of the circuit breaker by a temperature factor (also refer to chapter Technical Information).

ambient temperature [°C]	-30	-20	-10	0	23	40	50	60
Temperature factor	0.8	0.84	0.88	0.92	1	1.08	1.14	1.23



**Ordering information**

<b>Type no.</b>	<b>3120</b>
Thermal-magnetic circuit breaker/switch combination with rocker actuation	
<b>Mounting method</b>	
<b>N3</b>	Snap-in, mounting cut-out 50.5 x 21.5 mm
<b>N5</b>	Snap-in, mounting cut-out 44.5 x 22 mm
<b>Number of poles</b>	
<b>1</b>	1-pole switching, 1-pole thermal-magnetically protected
<b>2</b>	2-pole switching, 2-pole protected (pole 1: thermal-magnetically protected, pole 2: thermally protected)
<b>5</b>	2-pole switching, 1-pole thermal-magnetically protected
<b>Style</b>	
<b>1</b>	Standard
<b>3</b>	With actuator guard
<b>4</b>	With accordion-style seal, IP65
<b>6</b>	Version with shorter flange (only for mounting method N5)
<b>A</b>	With actuator guard and cross-hole
<b>Terminal design</b>	
<b>P7</b>	Blade terminals
<b>H7</b>	As P7, terminals 11 and 21 with additional flat head screws M3.5
<b>N7</b>	As P7, with additional shunt terminals 12(i) and 22(i)
<b>G7</b>	As N7, terminals 11 and 21 with additional flat head screws M3.5
<b>Trip curve</b>	
<b>M1</b>	Medium delay, thermal 1.01-1.4 x I <sub>N</sub> ; magnetic 4-9 x I <sub>N</sub> AC
<b>Actuator</b>	
<b>W</b>	Rocker
<b>Rocker colour and illumination</b>	
<b>Opaque</b>	
<b>01 .</b>	Black without illumination
<b>02 .</b>	White without illumination
<b>04 .</b>	Red without illumination
<b>Translucent</b>	(when named with Y/R/T/G the rocker is illuminated)
<b>12 . (Y)</b>	White (illuminated)
<b>14 . (R)</b>	Red (illuminated)
<b>15 . (Y)</b>	Orange (illuminated)
<b>16 . (T)</b>	Blue (illuminated)
<b>19 . (G)</b>	Green (illuminated)
<b>Marking of rocker</b>	
<b>A</b>	(not for mounting method 4)
<b>D</b>	
<b>F</b>	
<b>K</b>	
<b>L</b>	
<b>X</b>	

<b>3120-N5 2 4 - P7 M1-W 19 D G ...</b>	Ordering example
<b>Illumination voltage range</b>	(= operating voltage)
<b>1</b>	DC 12 V
<b>2</b>	DC 24 V
<b>3</b>	AC 115 V
<b>4</b>	AC 230 V
<b>5</b>	DC 48 V
<b>6</b>	AC 400 V (for 2-pole versions)
<b>Current rating</b>	
<b>0.1 ... 16 A</b>	
<b>3120-N5 2 4 - P7 M1-W 19 D G 4 - 16 A</b>	Ordering example

**3120-N5 2 4 - P7 M1-W 19 D G ...** Ordering example



1

**Ordering information**

<b>Type no.</b>	
<b>3120</b> Thermal-magnetic circuit breaker/switch combination with push button actuation	
<b>Mounting method</b>	
<b>N3</b>	Snap-in, mounting cut-out 50.5 x 21.5 mm
<b>N5</b>	Snap-in, mounting cut-out 44.5 x 22 mm
<b>Number of poles</b>	
<b>1</b>	1-pole switching, 1-pole thermal-magnetically protected
<b>2</b>	2-pole switching, 2-pole protected (pole 1: thermal-magnetically protected, pole 2: thermally protected)
<b>5</b>	2-pole switching, 1-pole thermal-magnetically protected
<b>Style</b>	
<b>D</b>	With actuator guard
<b>E</b>	With actuator guard and water splash cover IP54
<b>F</b>	With power-on protection
<b>V</b>	With power-on protection and water splash cover IP54
<b>Terminal design</b>	
<b>P7</b>	Blade terminals
<b>H7</b>	As P7, terminals 11 and 21 with additional flat head screws M3.5
<b>N7</b>	As P7, with additional shunt terminals 12(i) and 22(i)
<b>G7</b>	As N7, terminals 11 and 21 with additional flat head screws M3.5
<b>Trip curve</b>	
<b>M1</b>	Medium delay, thermal 1.01-1.4 x I <sub>N</sub> ; magnetic 4-9 x I <sub>N</sub> AC
<b>Actuator</b>	
<b>S</b>	Two push buttons
<b>Colour of push button/illumination (Style D and F without water splash protection)</b>	
<b>GRD</b>	Green/red without illumination
<b>GRDXG</b>	Green with LED illumination/red without illumination
<b>Colour of push button/illumination (Style E and V with water splash protection)</b>	
<b>GRX</b>	Green/red without illumination
<b>GRDXG</b>	Green with LED illumination/red without illumination
<b>Illumination voltage range (= operating voltage)</b>	
<b>1</b>	DC 12 V
<b>2</b>	DC 24 V
<b>3</b>	AC 115 V
<b>4</b>	AC 230 V
<b>5</b>	DC 48 V
<b>6</b>	AC 400 V (for 2-pole versions)
<b>Current rating</b>	
<b>0.1...16 A</b>	
<b>3120-N3 5 V - P7 M1-S GRXG - 16 A</b> Ordering example	

Please observe our minimum ordering quantities.

**Ordering information**

<b>Type no.</b>	
<b>3120</b> Thermal magnetic resettable circuit breaker with push button	
<b>Mounting method</b>	
<b>N3</b>	Snap-in, mounting cut-out 50.5 x 21.5 mm
<b>N5</b>	Snap-in, mounting cut-out 44.5 x 22 mm
<b>Number of poles</b>	
<b>1</b>	1-pole thermal-magnetically protected
<b>2</b>	2-pole protected (1 1: thermal-magnetically protected, pole 2: thermally protected)
<b>5</b>	2-pole, 1-pole thermal-magnetically protected
<b>Style</b>	
<b>G</b>	Resettable circuit breaker
<b>Terminal design</b>	
<b>P7</b>	Blade terminals
<b>H7</b>	As P7, terminals 11 and 21 with additional flat head screws M3.5
<b>N7</b>	As P7, with additional shunt terminals 12(i) and 22(i)
<b>G7</b>	As N7, terminals 11 and 21 with additional flat head screws M3.5
<b>Trip curve</b>	
<b>M1</b>	Medium delay, thermal- 1.01-1.4 x I <sub>N</sub> ; magnetic 4-9 x I <sub>N</sub> AC
<b>Actuator</b>	
<b>D</b>	One push button
<b>Colour of push button</b>	
<b>01</b>	Black
<b>02</b>	White opaque
<b>04</b>	Red opaque (UL/CSA approval only)
<b>09</b>	Green opaque
<b>Marking of the push button</b>	
<b>X</b>	Without marking
<b>Current rating</b>	
<b>0.1...16 A</b>	
<b>3120-N3 2 G - P7 M1-D 01 - X 16 A</b> Ordering example	

Please observe our minimum ordering quantities.

**Customer-specific solutions**

Looking for a version you cannot find in our order numbering code? Please get in touch.