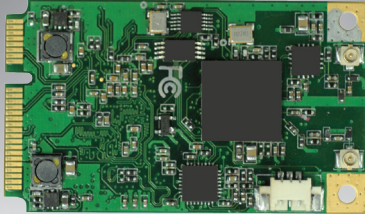


DVP-7017HE

1-ch Full HD H.264 Mini PCIe Video Capture Card with SDK



Features

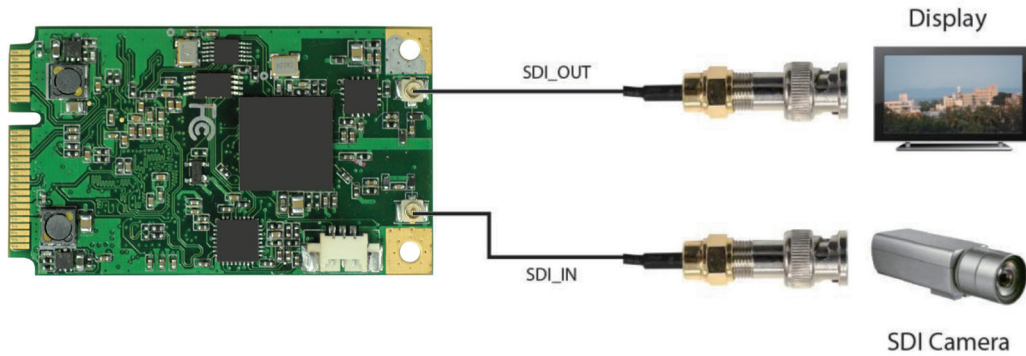
- 1 channel SDI channel video inputs with H.264 software compression
- 30/25 fps (NTSC/PAL) at up to full HD resolution for recording and display
- Mini PCIe x1 (Gen2) host interface
- Windows/Linux OS supported

FCC CE 

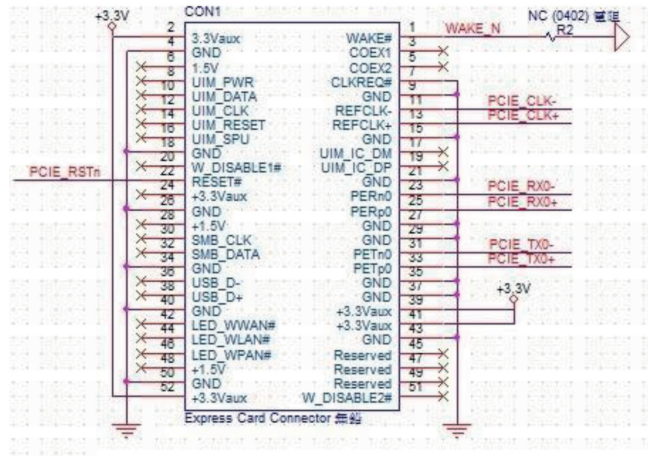
Specifications

Video	Video Standard	NTSC/PAL
	Video Input	1 x SDI
	Compression	S/W H.264
	Max. Resolution /FPS	60/50 fps @ 1920 x 1080p (Input) 30/25 fps @ 1920 x 1080p (Output)
Audio	Audio Input	SDI Embedded Audio Audio L/R (2 x RCA through wafer connector to RCA cable)
	Format	Stereo, 16-bit, 32 ~ 48 kHz
System Requirements	CPU (Display)	Intel® Core™ 2 Duo E2200 2.2 GHz
	CPU (Recording)	Intel® Core™ 2 Quad Q9400 2.6 GHz
	Memory	2 GB
	VGA	1024 x 768, DirectX 9.0c
Physical Characteristics	Operating System	Windows XP/XPe/Vista/7/8/8.1; Linux 2.6.14 or higher
	Host Interface	Mini PCIe x1 (Gen 2)
	Operating Temperature	-20 ~ 70 °C (-4 ~ 158 °F)
	Storage Temperature	-40 ~ 85 °C (-40 ~ 185 °F)
	Dimension (L x H)	30 x 50.95 mm (1.1" x 2")
	Certification	CE/FCC

Connection Diagram



Pin Define



Ordering Information

Part Number	Description
DVP-7017HE	1-ch Full HD H.264 MiniPCIe Video Capture card with SDK
XKU0-A56-D009-V12	SDI Video cable (optional)

Packing List

Item	Amount
DVP-7017HE Capture Card	1pcs