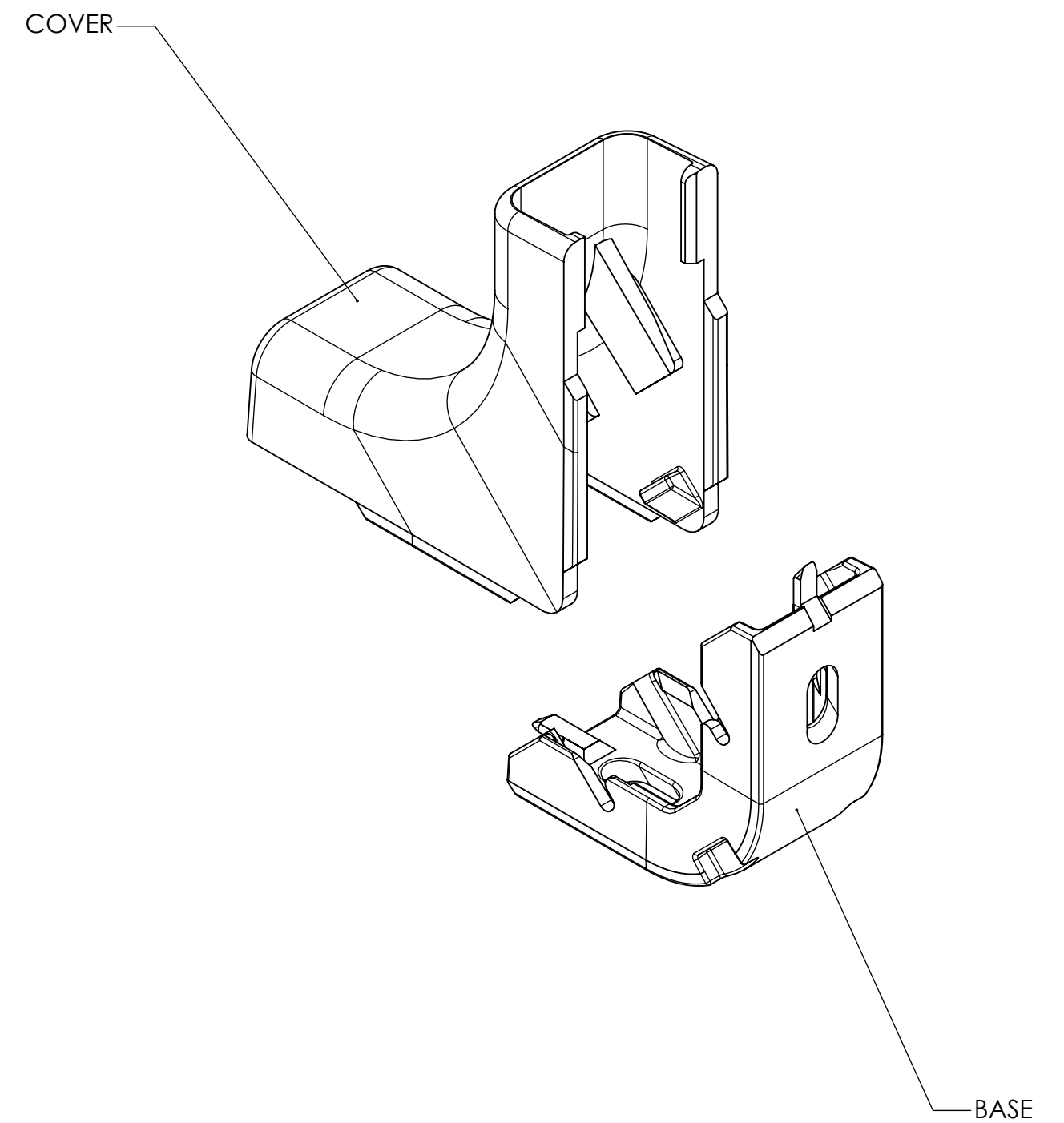
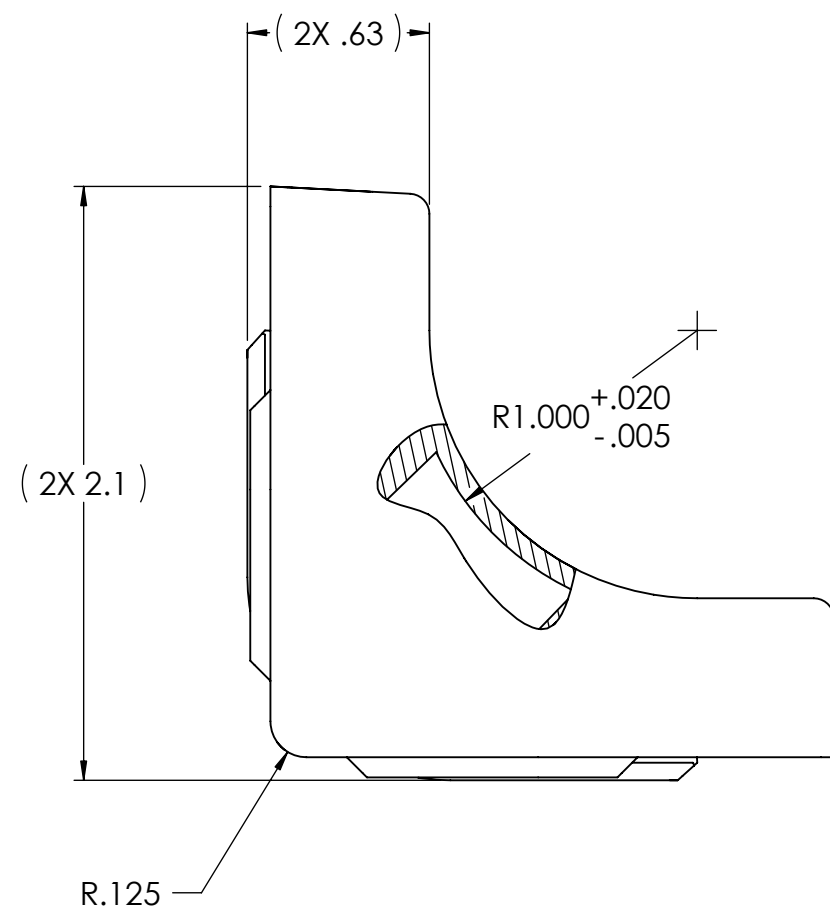
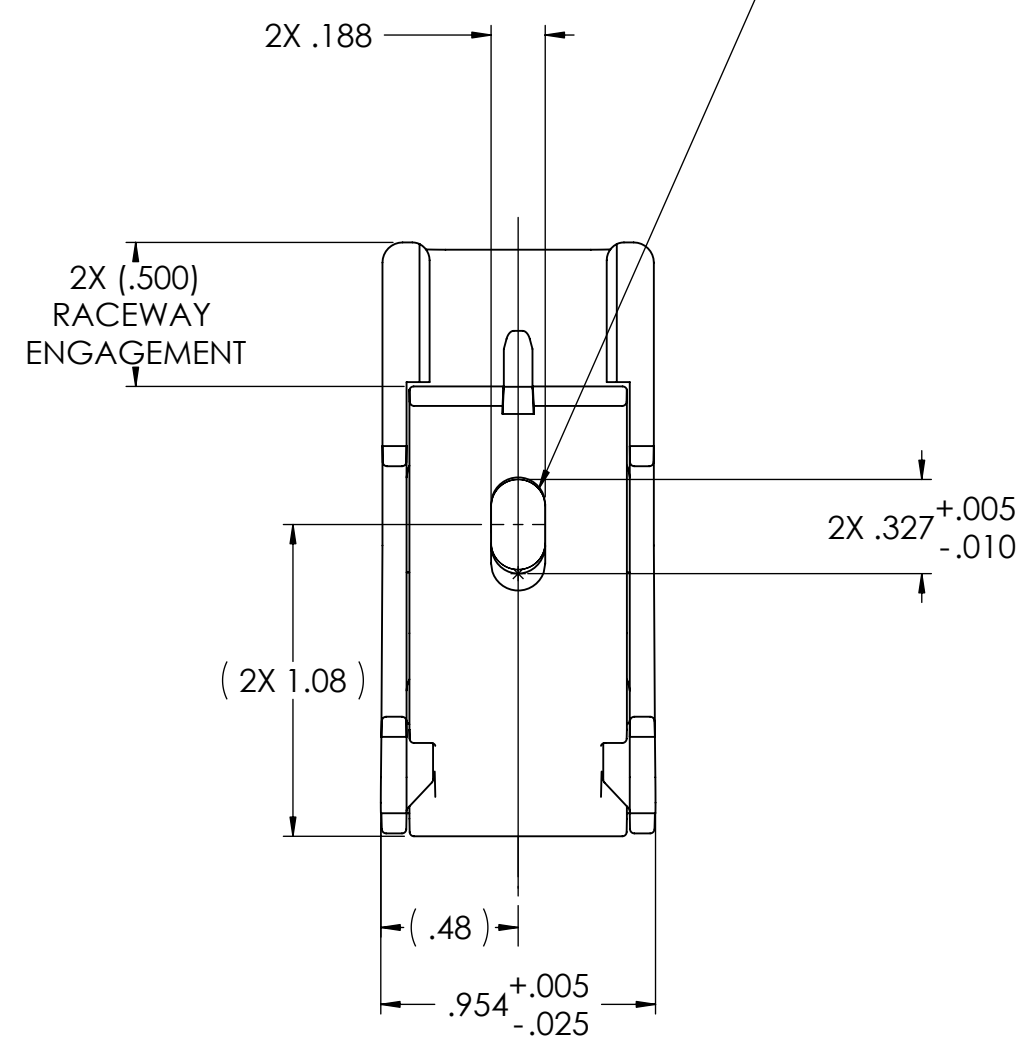


SLOTTED MTG. HOLE
ACCEPTS #8 ROUND OR PAN HEAD SCREW



PART NO. DESCRIPTION

TSRP1_-33-1

COLOR:
I = IVORY
FW = OFFICE WHITE
W = WHITE
(FOR OTHER COLORS
CONTACT FACTORY)

REDUCED
NO SCALE

INVENTORS

HellermannTyton

ALL PROPRIETARY RIGHTS IN THE SUBJECT MATTER SHOWN ON THIS DRAWING ARE EXCLUSIVE PROPERTY OF HELLERMANNTYTON

name date city, state

NOTES

1. THIS ASSEMBLY ACCEPTS (2) TSRP1 RACEWAYS.

REVISIONS

DR level	02
AW by	PLN
IN date	01/14/03
EG ECN #	003574
part level	-

DIMENSIONS

.xxxx	= ± .0005
.xxx	= ± .005
.xx	= ± .01
.x	= ± .03
∠	= ± 0.5°
unless otherwise specified	
units	inches

PART

number	TSRP1_-33-1	phase	PRODUCTION
name	TSRP1-33-1 600V 3/4" INTERNAL CORNER WITH 1" MIN BEND RADIUS		
material	PVC		

DRAWING

format	version N	C	CAD	SW	scale	3:2
computer file number	DT3034017CST_02		previous number			
drawn	R.P.B.	checked	KAC	approved		
date	4/15/99	checked	03/21/03	approved		
type	CUSTOMER		sheet 1 of 1			
number	DT3034017CST					