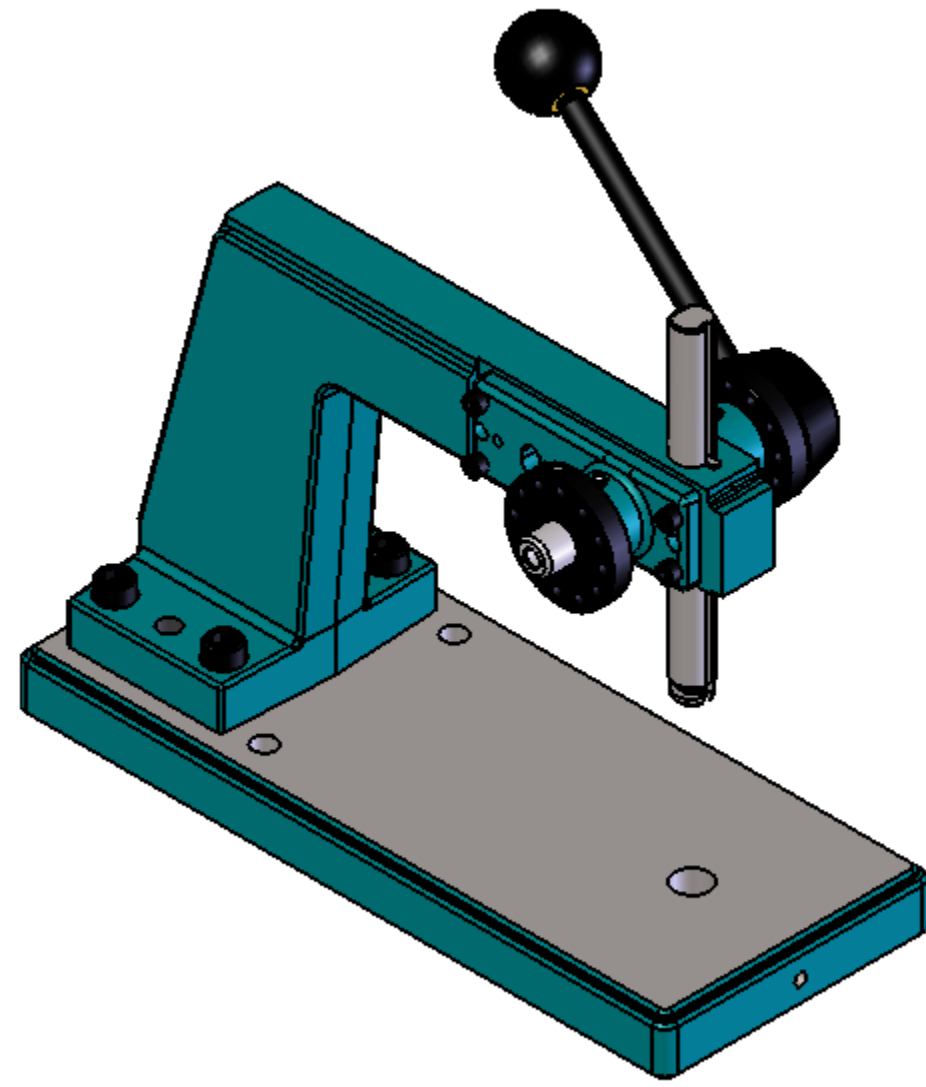
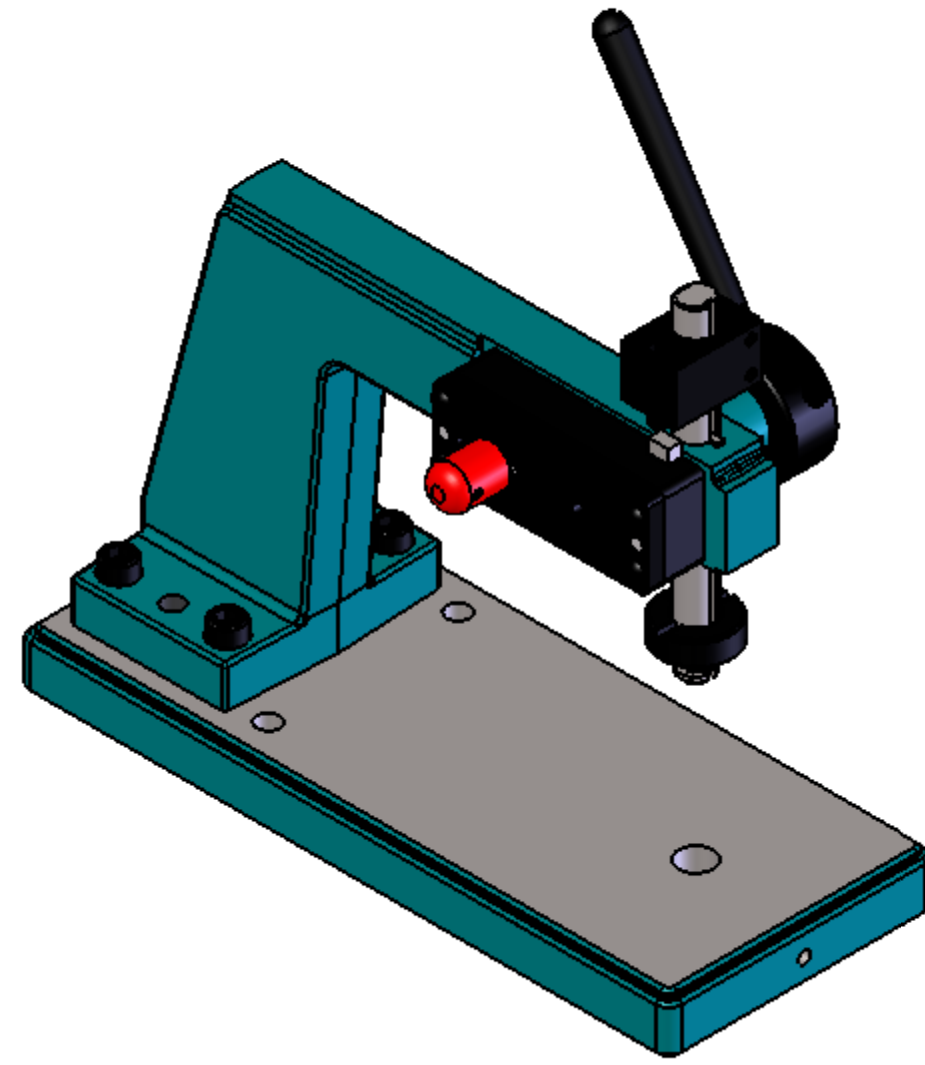


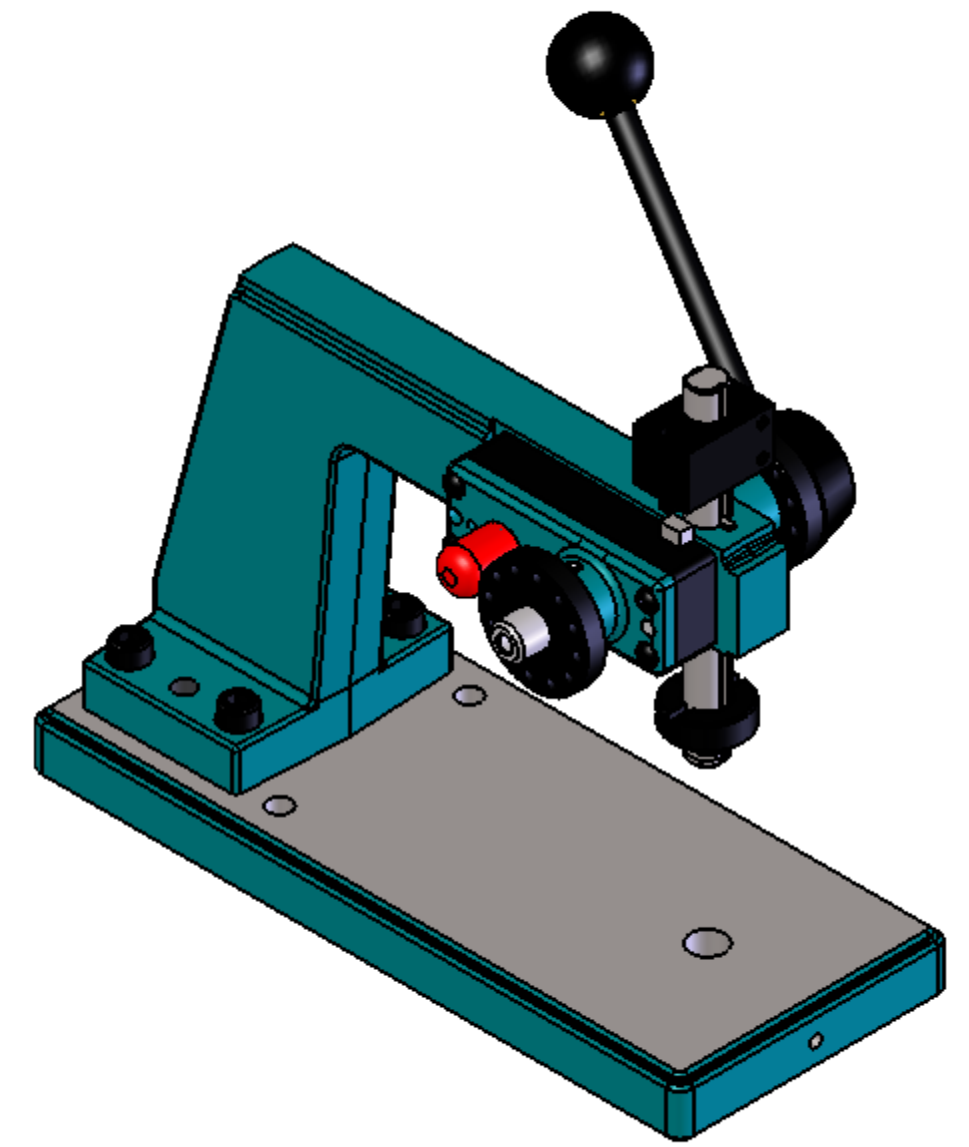
DT-500



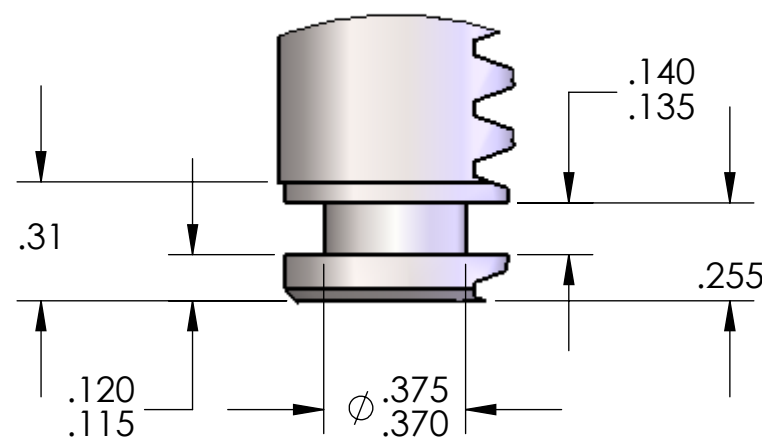
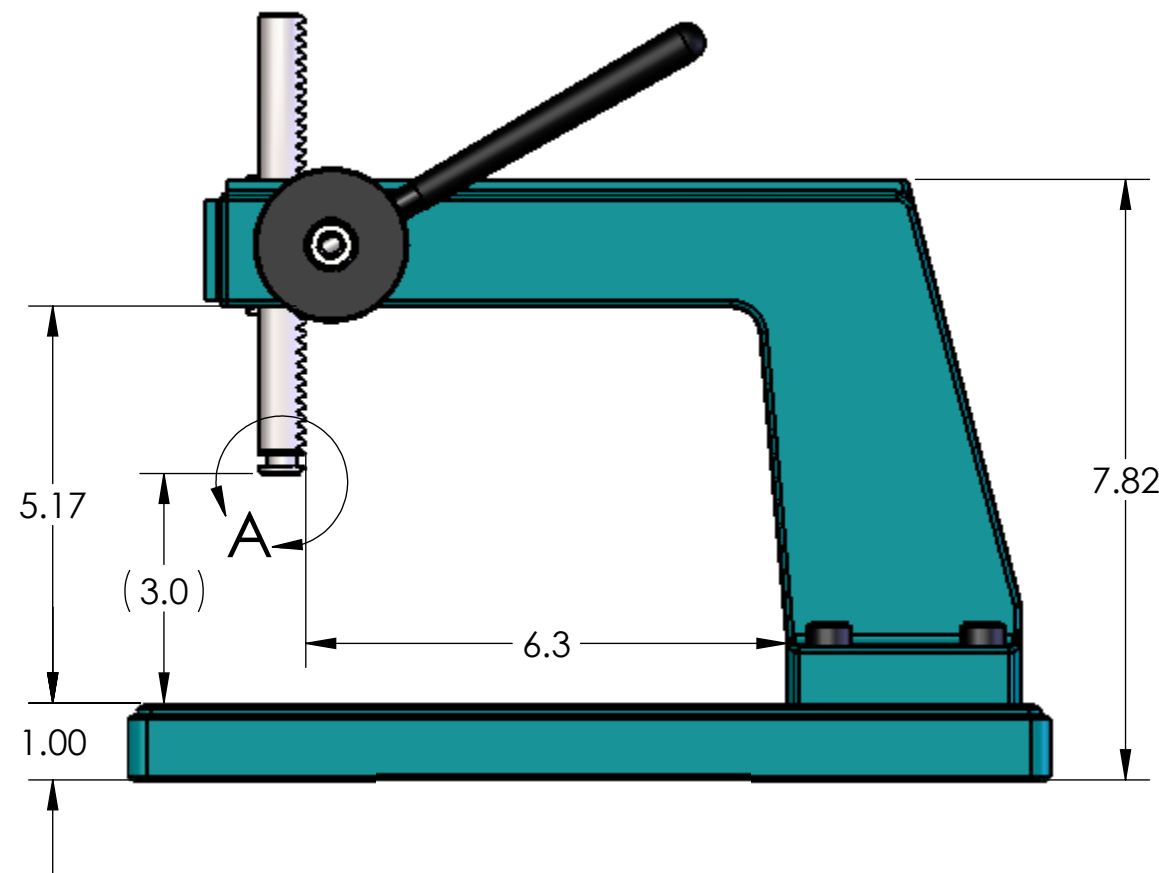
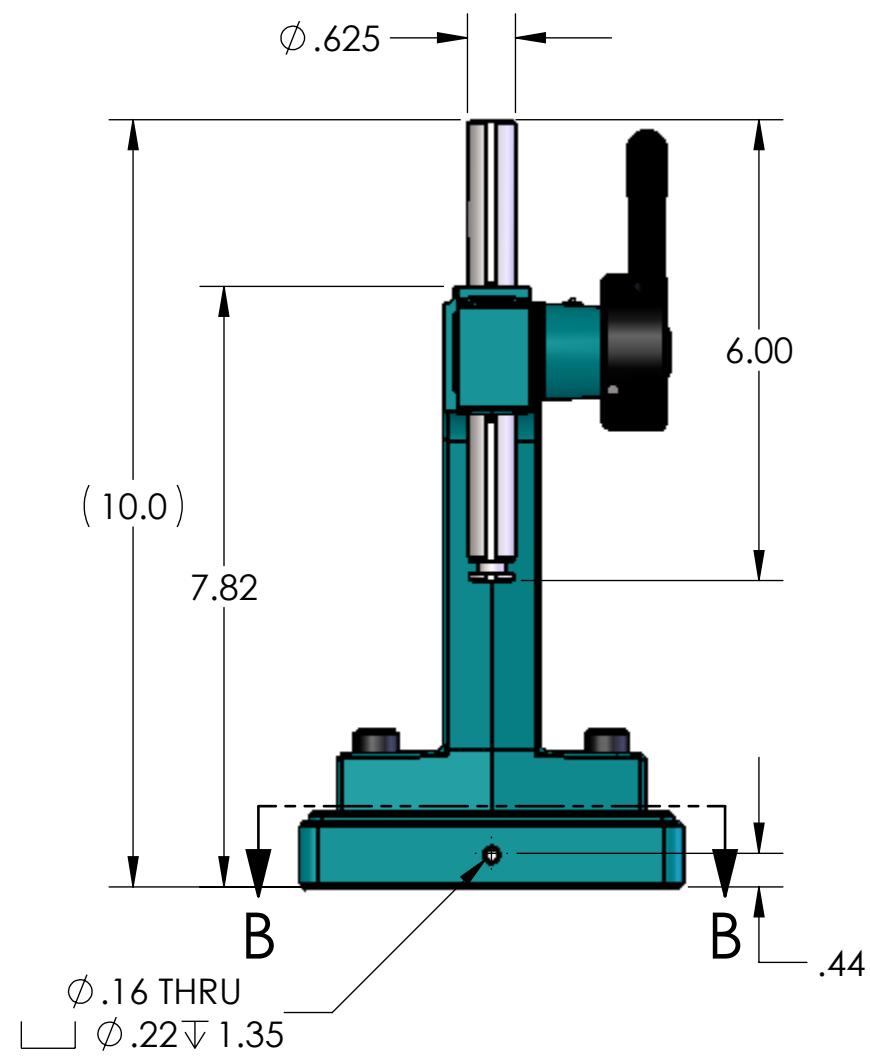
DT-500-AH



DT-500-FS

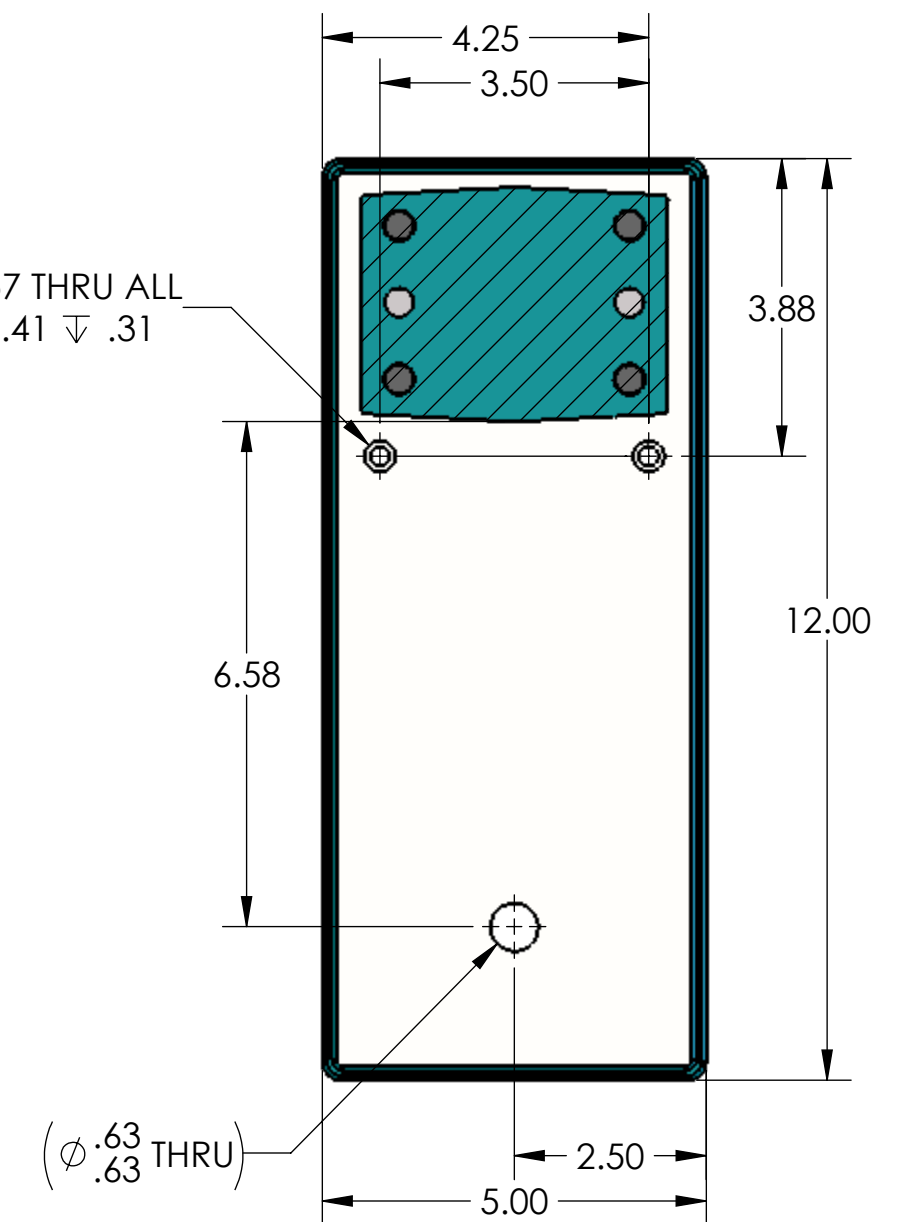


DT-500-AH-FS



DETAIL A  
SCALE 2 : 1

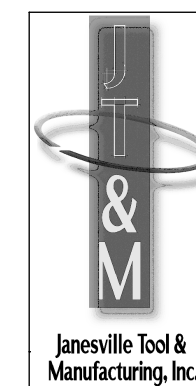
2X  $\phi .257$  THRU ALL  
 $\phi .41 \nabla .31$



SECTION B-B  
SCALE 1 : 2.5

NOTES:

1. AH MODELS ARE INDEXABLE @ 15° INCREMENTS
2. ADJUSTABLE HEAD HEIGHT WITH ADDITION OF OPTIONAL RISER BLOCK
3. HANDLE IS  $\phi 3/8"$  X 6.0 LG



**Janesville Tool & Manufacturing Inc.**  
3930 Enterprise Drive  
Janesville, WI 53546  
Phone: 608-314-1620, Fax 608-314-1625

TITLE: <b>DT-500 PRESS</b>		
SIZE <b>C</b>	DWG. NO. <b>DT-500</b>	REV <b>A</b>
SCALE: 1:4	WEIGHT: 28.00	SHEET 1 OF 1