

## General Purpose EMI Filter



- Rated current from 1 to 30 A
- Single stage filter
- High differential mode performance
- Optional medical version (Type B)
- Optional safety version (Type A)

### Approvals:



### Technical specifications

Maximum continuous operating voltage: 250VAC, 50/60Hz

Operating frequency: dc to 400Hz

Rated currents: 1 to 30A @ 40°C max.

High potential test voltage: L → PE 3000VDC for 2 sec (standard types)

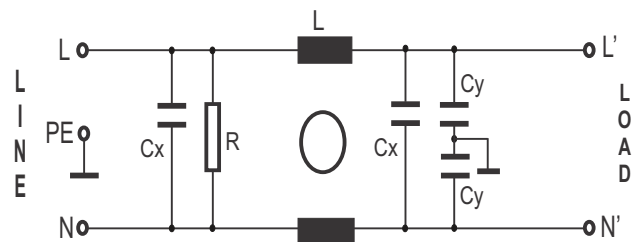
L → PE 3500VDC for 2 sec (B types)

L → N 1100VDC for 2 sec

Temperature range (operation and storage): -25°C to +100°C (25/100/21)

Design corresponding to: UL 1283.

### CIRCUIT DIAGRAM:



### Feature and Benefits




- BL2020 Single-stage filters are designed for easy and fast chassis mounting.
- The BL2020 filters are also available as B versions with no Y-capacitors for medical applications as well as A versions with low capacitance for safety critical applications with a requirement for low leakage currents.
- All filters provide an general purpose conducted attenuation performance, based on chokes with high saturation resistance and excellent thermal behavior.
- The BL 2020 Filter can be use to cover broad range of uses and they can offer a good size/amperages ratio
- BL 2020 filters are also available as dual stage filters (BL 2060 & BL2070 series).
- Various terminal options allow you to select the desired connection style

### Typical Application

- Electrical and electronic equipment
- Consumer goods
- Household equipment
- Medical equipment
- Electronic data processing equipment
- Office automation and datacom equipment

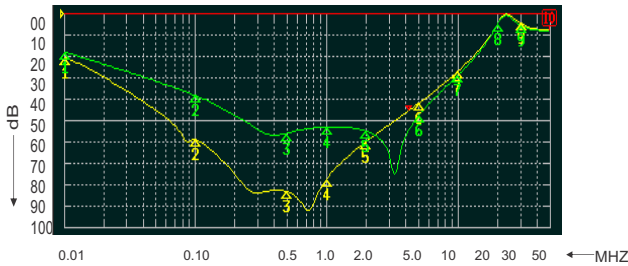
## 2 EMI FILTER>BL2020

### FILTER SELECTION TABLE

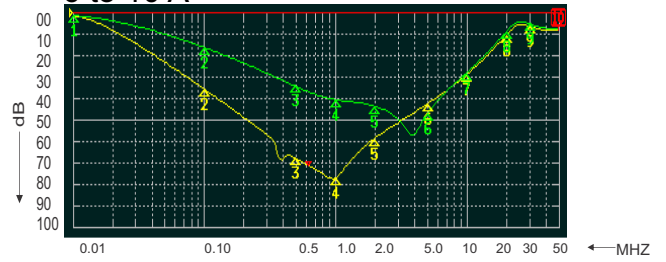
	Rated current @40°C	Leakage current @230V/50Hz	Inductance $\Sigma L$	Capacitance $\Sigma Cx$	Capacitance $\Sigma Cy$	Resistance $\Sigma R$	Connetion type		
	A	mA	mH	$\mu F$	nF	$K_{\Omega}$			
BL2020-01-F	1	0.74	12	0.3	9.4	1000	F	W	
BL2020-03-F	3	0.74	2.5	0.3	9.4	1000	F	W	
BL2020-06-F	6	0.74	1.0	0.3	9.4	1000	F	W	
BL2020-10-F	10	0.74	0.8	0.3	9.4	1000	F	W	
BL2020-12-F	12	0.74	0.7	0.3	9.4	1000	F	W	
BL2020-16-F	16	0.74	0.65	0.3	9.4	1000	F	W	
BL2020-20-F	20	0.74	0.6	0.3	9.4	1000	F	W	
BL2020-30-S	30	0.87	0.67	0.94	20	470			S
BL2020A-01-F	1	0.074	12	0.3	0.94	1000	F	W	
BL2020A-03-F	3	0.074	2.5	0.3	0.94	1000	F	W	
BL2020A-06-F	6	0.074	1.0	0.3	0.94	1000	F	W	
BL2020A-10-F	10	0.074	0.8	0.3	0.94	1000	F	W	
BL2020A-12-F	12	0.074	0.7	0.3	0.94	1000	F	W	
BL2020A-16-F	16	0.074	0.65	0.3	0.94	1000	F	W	
BL2020A-20-F	20	0.074	0.6	0.3	0.94	1000	F	W	
BL2020A-30-S	30	0.074	0.67	0.94	0.94	470			S
BL2020B-01-F	1	0.002	12	0.3		1000	F	W	
BL2020B-03-F	3	0.002	2.5	0.3		1000	F	W	
BL2020B-06-F	6	0.002	1.0	0.3		1000	F	W	
BL2020B-10-F	10	0.002	0.8	0.3		1000	F	W	
BL2020B-12-F	12	0.002	0.7	0.3		1000	F	W	
BL2020B-16-F	16	0.002	0.65	0.3		1000	F	W	
BL2020B-20-F	20	0.002	0.6	0.3		1000	F	W	
BL2020B-30-S	30	0.002	0.67	0.94		470			S

Insertion Loss: Common mode - —  
 Differential mode- —

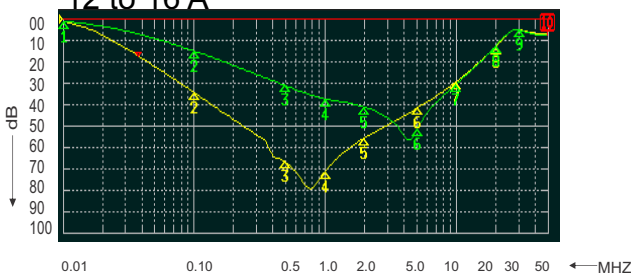
1 to 3 A



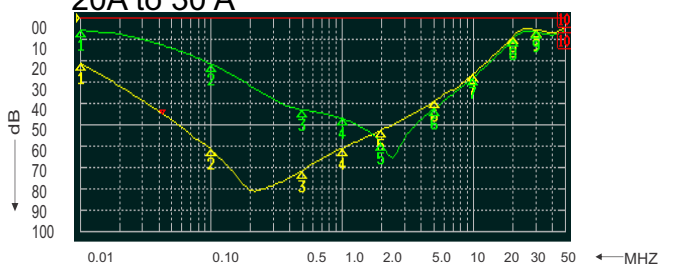
6 to 10 A



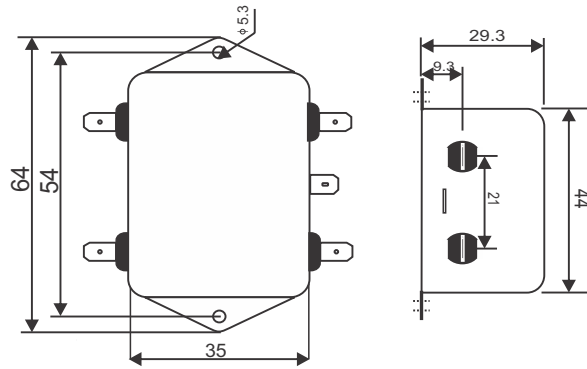
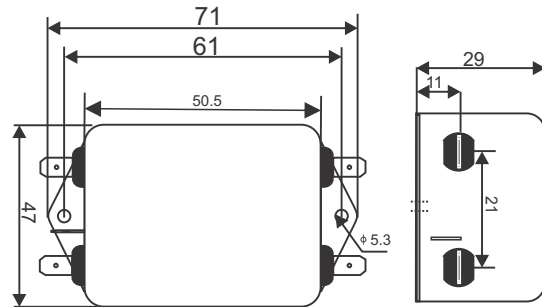
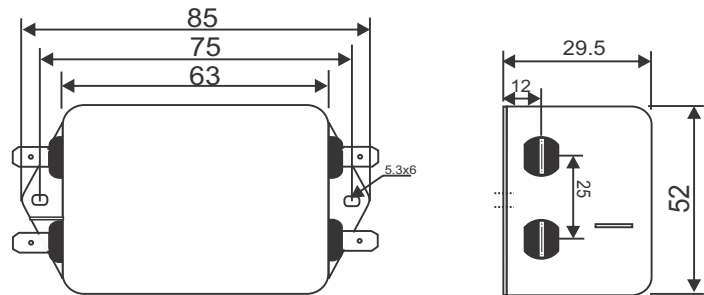
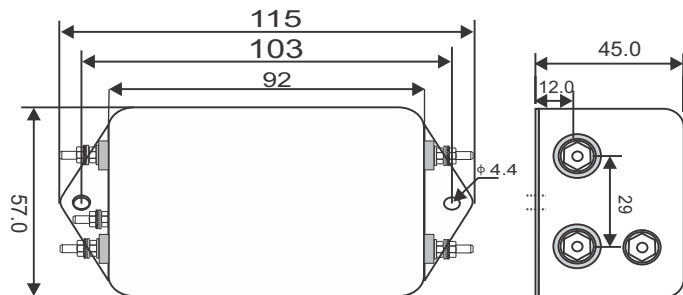
12 to 16 A



20A to 30 A



## MECHANICAL DIMENSION (mm):

CONNECTION TYPE -F  
1A to 12ACONNECTION TYPE -F  
16ACONNECTION TYPE -F  
20ACONNECTION TYPE -S  
30A

## NOTE:

All Dimension in mm  
 Connection type F-Fast On Terminal(6.3x0.8)  
 S-Screw (M4)