

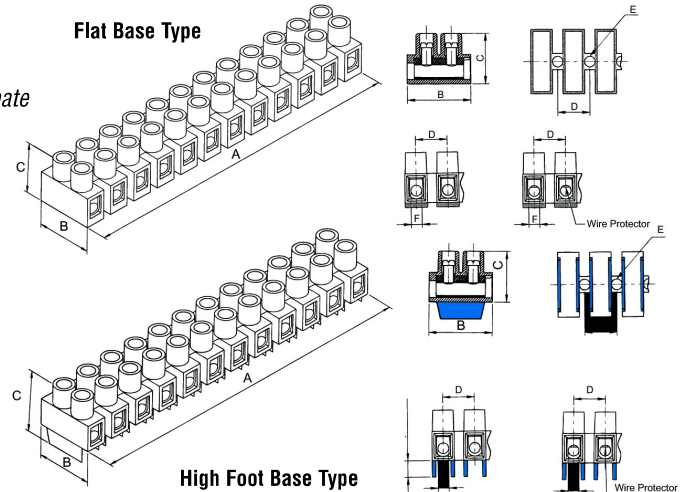
# 8 - Terminal Blocks

## Divisible Terminal Blocks

### A High Quality Cost Saving Method for Wire Termination

- Safe Wire Feature**  
*Designed with a stainless steel plate that closes over the wire to eliminate breaking of the wire strands and create a safe secure connection*
- Made From 6/6 Nylon**  
*Durable, flame retardant, heat resistant*
- Divisible**  
*Can be cut to or specific requirements, saving you time and money, 1-12 double positions*

**Specifications:** Sizes: 20-18, 18-14, 12-10, 8 AWG  
 Available with flat base and high foot base construction  
 212°F, 600V, UL, 400V CSA

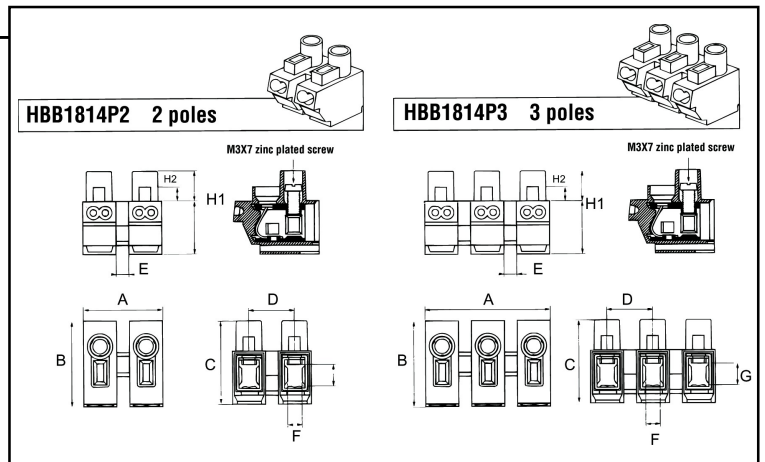


HOFFMAN PART NO.	CONSTRUCTION	WIRE RANGE	SCREW (ZINC PLATED)	DIMENSIONS (INCHES)					
				A	B	C	D	E	F
HB1820ABWP	Flat Base	22-12	M2.6X5	3.77	0.64	0.52	0.32	0.11	0.11
HB141810WP	Flat Base	22-12	M3X6	4.63	0.8	0.62	0.39	0.14	0.13
HHB1820ABWP	Flat Base	22-12	M2.6X5	3.79	0.64	0.57	0.32	0.11	0.11
HHB141810WP	Flat Base	22-12	M3X6	4.63	0.80	0.67	0.39	0.14	0.13
HB121012WP	Flat Base	22-10	M3.5X7	5.40	0.94	0.75	0.47	0.15	0.15
HB813.5WP	Flat Base	20-8	M4XP	6.22	1.01	0.99	0.53	0.17	0.19
FHB1820ABWP	High Foot Base	22-12	M2.6X5	3.78	0.64	0.67	0.32	0.11	0.11
FHB141810WP	High Foot Base	22-12	M3X6	4.63	0.80	0.79	0.39	0.14	0.13

## Speed-E Ballast Terminal Blocks, Push In Type

- Push In Type**  
*Designed for easy insertion and removal of solid copper wire with a test slot*
- Made From 6/6 Nylon**  
*Durable, flame retardant, heat resistant*

**Material:** UL94V-2, 6/6 Nylon  
**Maximum Electrical Rating:** 105°C, 300V  
**Specifications:** 20-16 AWG - Push in side  
 18-14 AWG - Solid wire on screw side



HOFFMAN PART NO.	SCREW (ZINC PLATED)	DIMENSIONS (INCHES)								
		A	B	C	D	E	F	G	H1	H2
HBB1814P2	2.5mm <sup>2</sup>	0.681	0.748	0.728	0.394	0.118	0.138	0.189	0.256	0.126
HBB1814P3	2.5mm <sup>2</sup>	1.087	0.748	0.728	0.394	0.118	0.138	0.189	0.0256	0.126

