

Cable Assembly

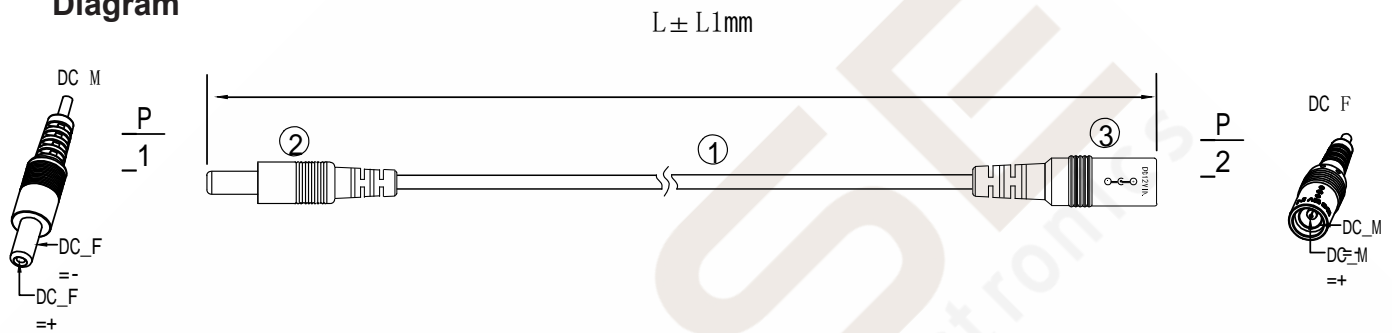
Power Extension Cable



Specifications

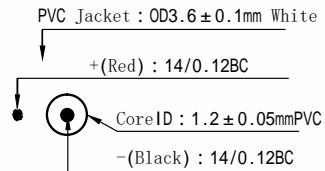
Cable Length : 30ft, 60ft, 100ft, 150ft
 Connector Type A : DC (M)
 Connector Type B : DC (F)

Diagram



Part Number	L ± L1mm
P1002E	9144 ± 20 mm
P1802E	18228 ± 20 mm
P3002E	30480 ± 20 mm
P5002E	45720 ± 20 mm

Cable Structure:



Dimensions : Millimeter

1. Cable

(14*0.12BC) *1.2PVC*2C Red、Black; Jacket OD: 3.6mm, PVC-65P White

Cable Assembly

Power Extension Cable

3. Connector Type B

2.1mm*5.5mm DC Male/Female

Soldering

White PVC Jacket

4. Inner Molded

LDPE

5. Outer Molded

65P PVC, White

Part Number Table

Description	Part Number
30 ft. Power Extension Cable	P1002E
60 ft. Power Extension Cable	P1802E
100 ft. Power Extension Cable	P3002E
150 ft. Power Extension Cable	P5002E

Important Notice : This data sheet and its contents (the "Information") belong to the members of the EASE group of companies (the "Group") or are licensed to it. No licence is granted for the use of it other than for information purposes in connection with the products to which it relates. No licence of any intellectual property rights is granted. The Information is subject to change without notice and replaces all data sheets previously supplied. The Information supplied is believed to be accurate but the Group assumes no responsibility for its accuracy or completeness, any error in or omission from it or for any use made of it. Users of this data sheet should check for themselves the Information and the suitability of the products for their purpose and not make any assumptions based on information included or omitted. Liability for loss or damage resulting from any reliance on the Information or use of it (including liability resulting from negligence or where the Group was aware of the possibility of such loss or damage arising) is excluded. This will not operate to limit or restrict the Group's liability for death or personal injury resulting from its negligence. EASE is the registered trademark of Ease Electronics Co., Limited 2019.