

SOLENOID PRODUCT SPECIFICATION

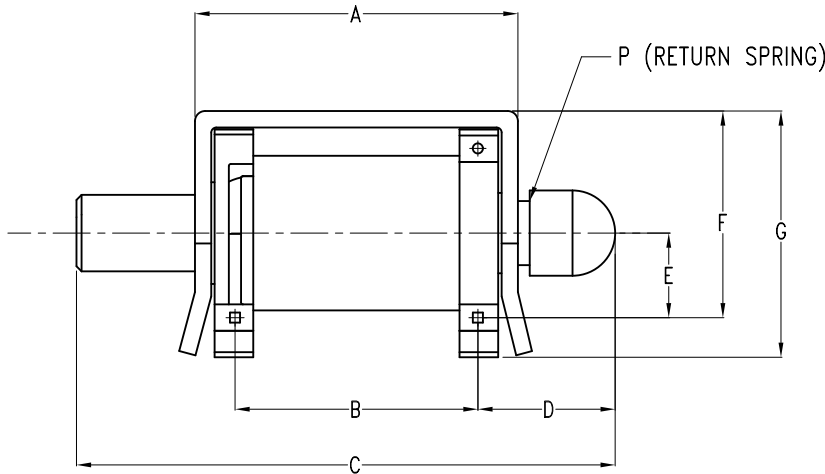
PART No.	VOLTAGE	DUTY CYCLE	POWER (W)	CURRENT (A)	DCR (Ω) *
DSOS-0416-102D	102 Vdc	2%, 0.5 sec On.	346	3.4	30
DSOS-0416-204D	204 Vdc	2%, 0.5 sec On.	302	1.48	138

* OPERATION: POWER TO PUSH, BUILT-IN RETURN SPRING.

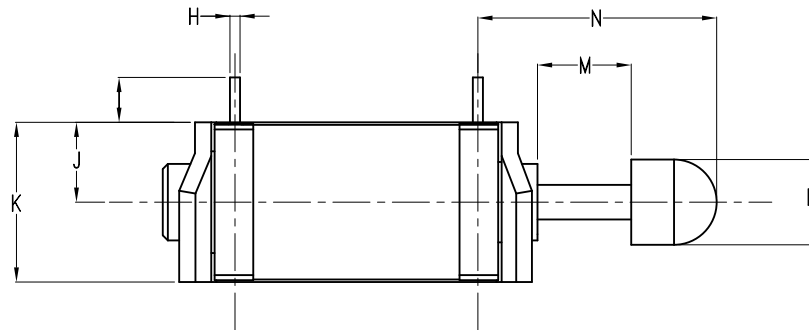
* DCR VALUES ARE ±10% AT 25°C

1. MECHANICAL DIMENSIONS :

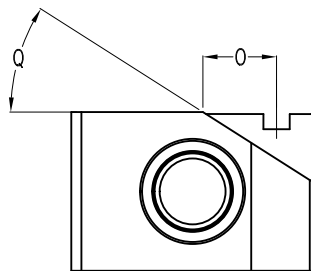
* WEIGHT ARE 6 GRAMS ±10%.



PLUNGER AND PLUNGER TIP SHOWN
 IN RESET (NON ACTIVATED) POSITION

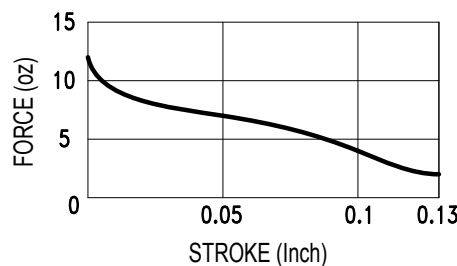
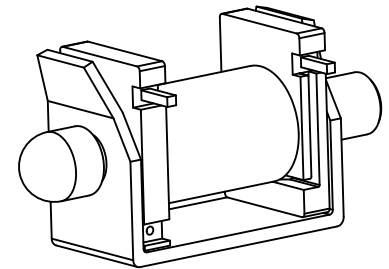


PLUNGER AND PLUNGER TIP SHOWN
 IN FULLY ACTIVATED POSITION



UNIT : INCH

- A = .622 ± .010
- B = .476 ± .011
- C = 1.00 ± .010
- D = .263 ± .010
- E = .158 ± .011
- F = .393 ± .013
- G = .471 ± .013
- H = 2X- SQ .023 ⁺⁰¹⁵/_{-.001}
- I = 2X- .07 ⁺⁰¹⁰/_{-.020}
- J = .152 ± .010
- K = .304 ± .010
- L = ∅ .165 ± .010
- M = .139 REF.
- N = .402 ⁺⁰¹¹/_{-.022}
- O = 2X.134±.016
- P = 0.008 MAX. (RETURN SPRING)
- Q = 34°±1°



INSULATION MATERIALS: UL CONSTRUCTION, CLASS A 105°C
 LIFE EXPECTANCY: 100K CYCLES OPERATIONS

LAYER TEST	IR. @500 Vdc.	HI-POT
(S-F) : 500Vp. MIN.	COIL TO FRAME	@50/60Hz.,2mA
TEST ONLY COIL	100 MOHM MIN.	COIL TO FRAME
		1500Vac., 60s