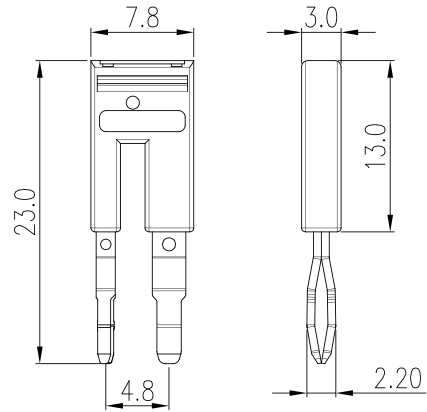


DSD03-1.5/4



DIN Rail Terminal Blocks > Accessories > Plug-in bridge



Specification

| | |
|----------------------|--|
| Product description | Plug-in bridge |
| Color | Red |
| Housing material | PA |
| PIN material | Copper Alloy |
| Housing material | Tin Plated |
| Inflammability class | UL94-V0 |
| Position | / |
| Compatible products | DP1.5/ DP4/DP1.5-TN/DP4-TN/DP1.5-TR/DP4-TR |
| Package | 100 pcs/box |