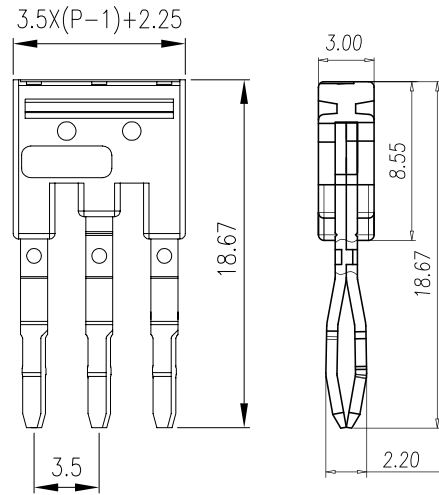
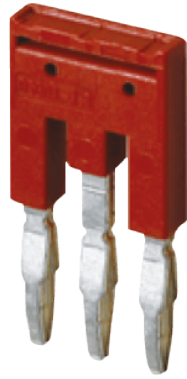


DSD03-1.5



DIN Rail Terminal Blocks > Accessories > Plug-in bridge



Specification

| | |
|----------------------|--------------------------|
| Product description | Plug-in bridge |
| Color | Red |
| Housing material | PA |
| PIN material | Copper Alloy |
| Housing material | Tin Plated |
| Inflammability class | UL94-V0 |
| Position | 02 / 03 / 04 / 05 / 10 P |
| Compatible products | DP1.5/DP1.5-TR/DP1.5-TN |
| Package | 50 pcs/box |