



Part Number: DSC1014

Electrical Specifications

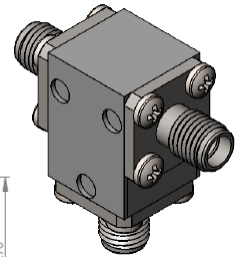
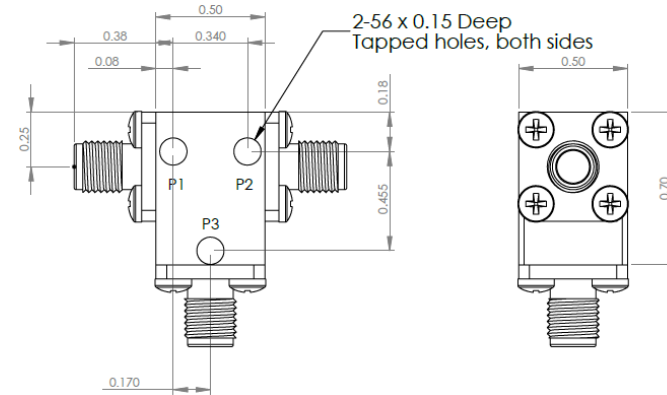
Frequency Range (GHz):	10.7 – 14.8
Isolation (dB):	20 MIN
Insertion Loss (dB):	0.3 MAX
VSWR:	1.2:1 MIN
Forward Power (W):	10 AVG 50 PK

Mechanical/Environmental Specifications

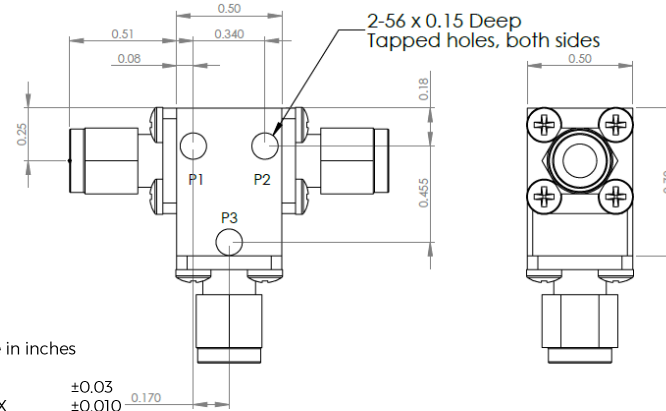
Connector Type:	SMA
Connector Body:	Passivated stainless steel
Connector Pin:	Gold plated copper
Load Body:	Brass
Magnetic Shunt:	Nickel plated CRS
Operational Temp:	-30°C to +65°C
Storage Temp:	-40°C to +120°C
Weight (oz):	0.9 MAX
Pressure:	< 1.5e ⁻⁵ torr
Screening Test:	Non-Operational Thermal Cycles
ATP:	Operational thermal cycling

Test Report Included w/CofC. To customize test procedures or specifications to your requirements, please contact DiTom.

DSC1014 Dimensions



DSC1014-3 Dimensions



Dimensions are in inches
Tolerance

XX ±0.03
XXX ±0.010

Type of Device	PN Suffix	Connector Configuration Input / Output	PN Example
Single Junction Circulator 3-Port Device Port 1 / Port 2 / Port 3	No Dash	Female / Female / Female	DSC1014
	-1	Male / Female / Female	DSC1014-1
	-2	Female / Male / Female	DSC1014-2
	-3	Male / Male / Male	DSC1014-3
	-4	Female / Female / Male	DSC1014-4
	-5	Male / Female / Male	DSC1014-5
	-6	Male / Male / Female	DSC1014-6
	-7	Female / Male / Male	DSC1014-7



MEASURED DATA

Part Number: DSC1014, P1→P2, P3 Terminated with 50Ω, +25°C

