

### Features

Compatible with  
IRISO Auto-i-Lock series  
Data rate up to 10Gbit/sec  
Impedance 100Ω  
One side LVDS Foil  
High flexibility and softness

### For Connector:

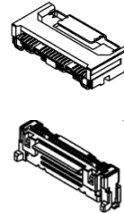
IMSA-11501S-xx – horizontal 105°C  
IMSA-11600S-xx – vertical 105°C

### Compatible Connector:

IMSA-11607S-xx – vertical 125°C  
IMSA-11507S-xx - horizontal 125°C

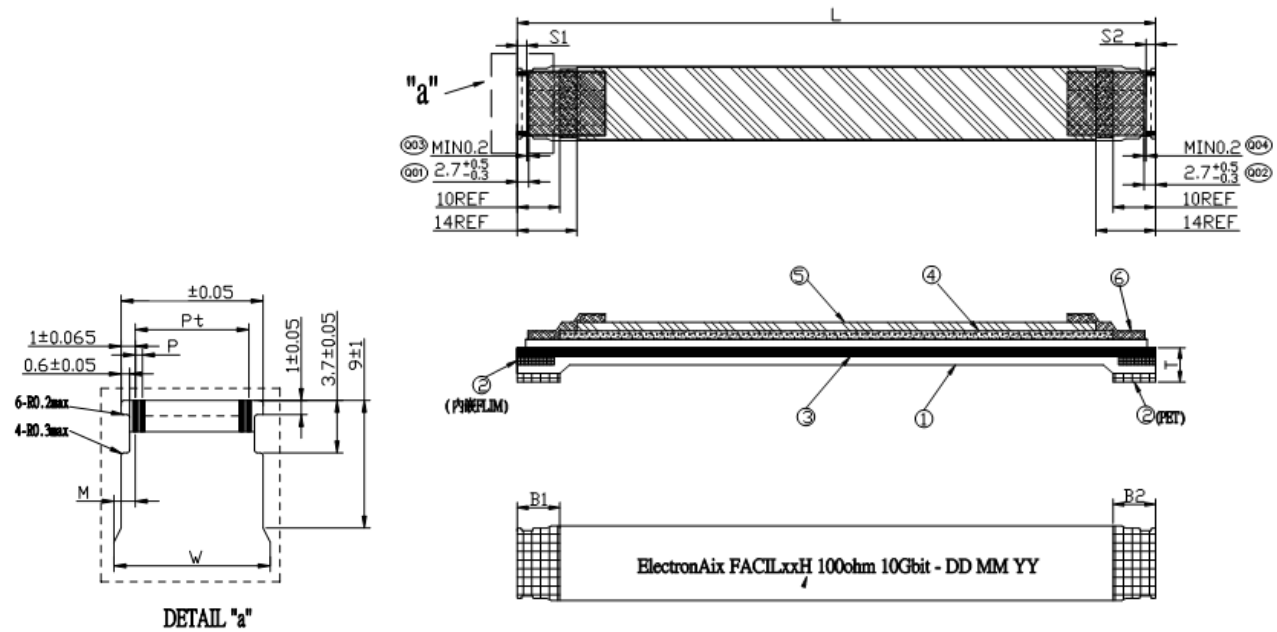
Also mating connector, but not compatible:

IMSA 12001S  
IMSA-9685S-i-Lock  
IMSA-9686S-iLock  
IMSA-9687S-iLock  
IMSA-9697S-iLock  
IMSA-9698S-iLock



## FACIL-xx-H LVDS 100Ω 10Gbit/sec High Speed FFC for IRISO IMSA Auto-i-Lock series

### Dimension:



Pitch	P	0.5	±0.05*
Total Pitch	Pt	(n-1) x 0.5	±0.05*
Width	W	(N+5) x 0.5	±0.07
Insert Thickness	T	0.3	±0.03
Strip length	S1	2.2	±0.5
	S2	2.2	±0.5
Reinforcement tape length	S3	10**	±2
	S4	10**	±2
Inner length	IL	TL-(S1+S2)	±2
Total length	TL	LLL	±2
No. of pins	N	NN	
Standard Conductor Dimension	Thickness 1	0.035***	±0.005
	Width	0.30***	±0.03
Slanting	A	< 0.3	

\* Tolerance depending on connector spec. smaller tolerance is possible

\*\* Or customized length

\*\*\* wire options see below

## FACIL-xx-H LVDS 100Ω 10Gbit/sec High Speed FFC for IRISO IMSA Auto-i-Lock series

### Possible Types:

A = SAME = Same Side



Label or Print on this side: ElectronAix FACILxxH

B = OPP = Opposite Side



Label or Print on one side: ElectronAix FACILxxH.

### Partnumber:

<b>FACIL</b>			<b>P</b>		-	<b>22</b>		<b>33</b>	<b>GH</b>
<b>FACIL</b>	<b>T</b>	<b>NN</b>	<b>P</b>	<b>LLL</b>	-	<b>22</b>	<b>SS</b>	<b>33</b>	<b>GH</b>
									<i>Gold Plating High Speed*</i>
									<i>Wire Dimension 0,3x0,035 (options see table)</i>
							<b>SS= Supporter Tape Length; 10mm/10mm = Standard</b>		
							<i>Strip Length in 2.2mm/2,2 mm – no option</i>		
				<b>LLL= Total Length in mm</b>					
			<i>P=Positions</i>						
		<b>NN= No of Wires: 10 to 80</b>							
	<b>T= Type: A= same Side / B= Opposite Side</b>								
<b>FACIL</b> Product Series = FFC Aix Catcher <b>IRISO Auto-i-Lock</b> LVDS 100 Ω									

\*High Speed - Data rate up to 10Gbit for lengths up to 150mm / 5Gbit for lengths up to 900mm

### Wire options

P/N	Thickness	Width	Resistance (Ohm)	Rated Current	Plating
32	0,032	0,28	2.6Ω/m	0.3A	Au
<b>33</b>	<b>0,035</b>	<b>0,3</b>	<b>2.0Ω/m</b>	<b>0.3A</b>	<b>Au</b> (optional Sn)
53	0,05	0,3	1.6Ω/m	0.4A	Au

### Contact us for customizations:

- Shielded with double side wrapped shield
- Shielded with double side laminated shield
- 125°C FFC unshielded
- Double sided LVDS with Impedance 90Ohm or 100Ohm –up to 17Gbit/sec
- Other wire dimension
- Special print or labels
- Folding

FACIE-xx  
 FACIE-xx-L  
 FACIB-xx-T  
 FACIL-xx-HD

### Environmental

The products meet EU RoHS Directive 2011/65/EU, including the delegated regulation (EU) 2015/863  
 The products meet EU REACH Directive 1907/2006/EU



### 1.Scope

## FACIL-xx-H LVDS 100Ω 10Gbit/sec High Speed FFC for IRISO IMSA Auto-i-Lock series

For Laminated Flat Cable (Flat Conductor) With Reinforcing Tape

### 2. Applicable documents

The specification covers the construction and electrical properties of laminated flat cable (Flat Conductor) with reinforcing tape based on UL subject 757.

### 3. Material

3.1 Insulation: PET, White, T=0.06mm, UL20706 105°C 60V VW-1

3.2 P/ Tape: PET, T=0.225mm

3.3 Conductor: Cu, 0.28\*0.032mm

3.4 Plating: Au (2μ" min)

### 4. Rating

4.1 Operating Voltage : 60V

4.2 Current Rating : 0.3A

4.3 Normal use Inserting: 5 cycles

4.4 Ambient Temperature Range: -40 ~ + °C 105°C

4.5 Warehouse Conditions: 25°C±15°C ; ≤60%RH

### 5. 6. Appearance

Reference 《DOC-JWI-QA0121-XXX FFC Inspection SOP

### 6 Tests

Item	Test Method	Specification
Conductor resistance	JIS C3102 at 20°C	See table
Insulation resistance	JIS-C3102	>100 MΩ
Dielectric withstanding voltage between conductors	AC250V 1min (0,5mm Pitch)	No Breakdown Current Leakage 1mA max
Flexing	180° bending	>20 Cycles
	U-Bending R5x50mm Stroke 60 cycles / min	>100.000 Cycles
Heat Resistance	+105°C 96hrs	Insulation and Dielectric withstanding Voltage pass
Cold Resistance	-40°C 96hrs	Insulation and Dielectric withstanding Voltage pass
High Temperature High Humidity	+60°C (90-95)%RH 96hrs	Insulation and Dielectric withstanding Voltage pass
Temperature Cycling	- 40°C 4hrs +25°C 2hrs +105°C 4hrs +25°C 2hrs	Insulation resistance and dielectric withstanding voltage pass
Salt Spray	+35°C 24hrs PH 6.5-7.2	before and after test, no corrosion and oxidation at contact area

## **7 Special Attention**

- 7.1 Please hold supporting tape, then insert or pull out the FFC from a connector in a straight
- 7.2 When insert to connector, please avoid excessive force
- 7.3 After insert to connector, shall be not bended at Supporting-tape excessive, because Joiner is broken
- 7.4 For gold plated FFC, there is the Ni-plating, so please do not bend the FFC at the terminal part of Conductor. Otherwise a crack will be occurred at the plated part; after insert into the Connector, please also do not bend the FFC at the part of Supporting-tape, otherwise a crack will be occurred at the plated part.
- 7.5 Please avoid excessive force around supporting-tape
- 7.6 Please evaluate FFC properties in advance when use under particular condition (High temperature, High Humidity etc). There is possibility to be corrosion after 6 month
- 7.7 Please avoid the moving wiring at bending portion
- 7.8 Please estimate enough space when Joiner is used the moving wiring
- 7.9 When dropped to the floor, please clean Joiner's leads
- 7.10 Please don't touch the terminal part of the Conductor by hand, for it will cause discolored or rusted
- 7.11 Please don't use the sulfurous material together with the FFC to prevent short circuit between sulfurized conductors
- 7.12 Before Assembly: Expiry Date For One Year  
After Assembly: Expiry Date For Fifteen Years