

PROPRIETARY INFORMATION: PROPRIETARY OF GLOBTEK, INC. ANY REPRODUCTION, DISCLOSURE OR USE OF THIS DRAWING, IN WHOLE OR IN PART, IS HEREBY PROHIBITED EXCEPT AS SPECIFIED IN WRITING BY GLOBTEK, INC.	REVISION			
	REV	DESCRIPTION	DATE	APPROVED
	A	INITIAL RELEASE, RFS. 20968, MS	05/24/11	HM
	B	UPDATE PINOUT, RFS. 21062, MS	06/10/11	HM
	C	UPDATE EL .SPECIFICATION, LENGTH O/P CORD TO 1370, UL1185, ENCLOSURE DRAWING, RFS. 21198, MS	07/12/11	HM
	D	REMOVE LABEL 2, RFS. 21910, MS	11/15/11	HM
	E	UPDATE GIFT BOX DIMESIONS FROM 158*42*36 TO 135*76*33, RFS.22961, MS	05/16/12	HM




1. NOTES:

DIMENSIONS ARE IN MM UNLESS SPECIFIED OTHERWISE.

2. ELECTRICAL SPECIFICATIONS:

INPUT VOLTAGE: 11VDC TO 30 VDC
INPUT CURRENT: < 1A (R.M.S.), AT LOW LINE INPUT AND DC OUTPUT FULL LOAD
INPUT PROTECTION: 2A FUSE, THE POWER SUPPLY SHALL BE PROTECTED AGAINST POWER LINE SURGES AND ANY ABNORMAL CONDITION
OUTPUT VOLTAGE: 5VDC
OUTPUT CURRENT : 1.5A, NO LOAD TO FULL LOAD,NO MINIMUM LOAD REQUIRED
OUTPUT POWER (RATED): 7.5 WATTS MAX
OUTPUT RIPPLE (PEAK TO PEAK): 150 mV
OUTPUT REGULATION (LINE/LOAD): ± 5 % FOR MAIN OUTPUT, MEASURED AT O/P CONNECTOR
TURN-ON DELAY: 1 SEC MAX
EFFICIENCY: 75 % TYPICAL
SWITCHING FREQUENCY: 100 KHZ TYPICAL
OVER-VOLTAGE PROTECTION: VOLTAGE LIMITED LESS 130% OF NOMINAL VOLTAGE
OVER-CURRENT / SHORT CIRCUIT: HICCUP WITH AUTO RECOVERY TO 1.1 - 1.3 IO
SHORT CIRCUIT PROTECTION : THE POWER SUPPLY SHALL BE PROTECTED FROM DAMAGE OF ACCIDENTALLY WHEN THE I/P VOLTAGE IS BETWEEN 11Vdc and 32Vdc.
THE O/P SHORT PROTECTION COULD BE PROTECTED FOREVER.INPUT POWER DO NOT EXCEED 5W WHEN OUTPUT IS SHORTED.
OTHER PROTECTION: INPUT FUSING, P/O INPUT CORD CIGARETTE LIGHTER
DIELECTRIC WITHSTAND VOLTAGE: NON-ISOLATED PRIMARY TO SECONDARY
LEAKAGE CURRENT: ≤ 0.25 mA
EMI: COMPLIES WITH EN55022 , 1 CLASS B LIMITS WHEN TESTED WITH A RESISTIVE LOAD, BOTH CONDUCTED AND RADIATED TESTED TO COMPLY WITH EN61000-3-2 EN61000-3-3, AND EN50082-1, INCLUDING EN61000-4-2, EN61000-4-3, EN61000-4-4, EN61000-4-5, EN61000-4-6, EN61000-4-11
MTBF: 200,000 HOURS AT 25°C AMBIENT TEMPERATURE
OPERATING TEMPERATURE: 0°C TO 40° C
STORAGE TEMPERATURE: -20°C TO +85° C
HUMIDITY: 5% TO 95% RELATIVE HUMIDITY
ROHS: COMPLIES WITH EU 2002/95/EC AND CHINA SJ/T 11363-2006

Foot Note: Globtek Inc. will not be liable for the safety and performance of these power supplies if unauthorized access and repair occurs. End user should consult applicable UL, CSA or EN standards for proper installation instructions	DASH NO.	PART NO	REV.	DESCRIPTION	NOTES	
	TABULATION BLOCK					
Limitation of Use: Globtek product are not authorized for use as mission critical components in life support, hazardous environment, nuclear or aircraft applications without prior written approval from the CEO of Globtek Inc.	TOLERANCES: DECIMALS .xx +/- 0.1 .xxx +/- .005 ANGULAR +/- 1°		 186 Veterans Dr. Northvale, NJ 07647 Tel. 201-784-1000 Fax 201.784.0111 www.globtek.com			
	INIT.BY: MS	DATE: 05/23/11				MILLIMETERS .xx +/- 0.3 .xxx +/- .013 ANGULAR +/- 1°
Contents of this document are subject to change without prior notice	DRAWN: NF	DATE: 05/23/11	FSCN No.: G, Y	SIZE A	MODEL NO: GTD21108-1005	REV. E
	APRVD : HM	DATE: 05/23/11	SCALE: NONE		PART NO: DR6JA1500MUSB-Y(R)	SHEET 1 OF 3

PROPRIETARY INFORMATION:

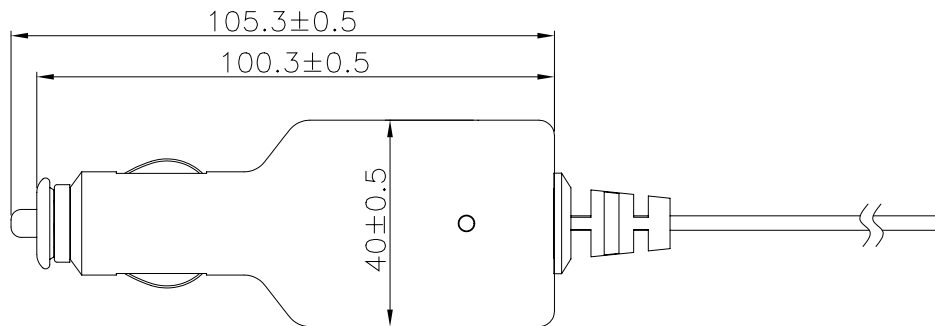
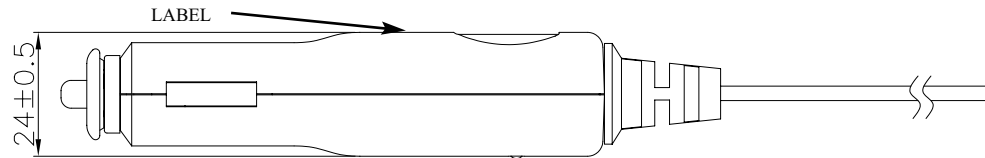
PROPRIETARY OF GLOBTEK, INC. ANY REPRODUCTION, DISCLOSURE OR USE OF THIS DRAWING, IN WHOLE OR IN PART, IS HEREBY PROHIBITED EXCEPT AS SPECIFIED IN WRITING BY GLOBTEK, INC.

3. ENCLOSURE; DIMENSIONS: MM (INCH)

UPPER HOUSING: HIGH IMPACT PLASTIC, 94V0 POLYCARBONATE, NON-VENTED, COLOR BLACK

LOWER HOUSING: HIGH IMPACT PLASTIC 94V0 POLYCARBONATE, NON-VENTED, COLOR BLACK

SIZE: 105.3±0.5 x 40.0±0.5 x 24.0±0.5 mm



4. INDICATOR: GREEN LED, OUTPUT PRESENT

5. INPUT CONNECTOR:

CONFIGURATION: CAR CIGARETTE LIGHTER DC POWER PLUG (+,-)

6. OUTPUT CORD:

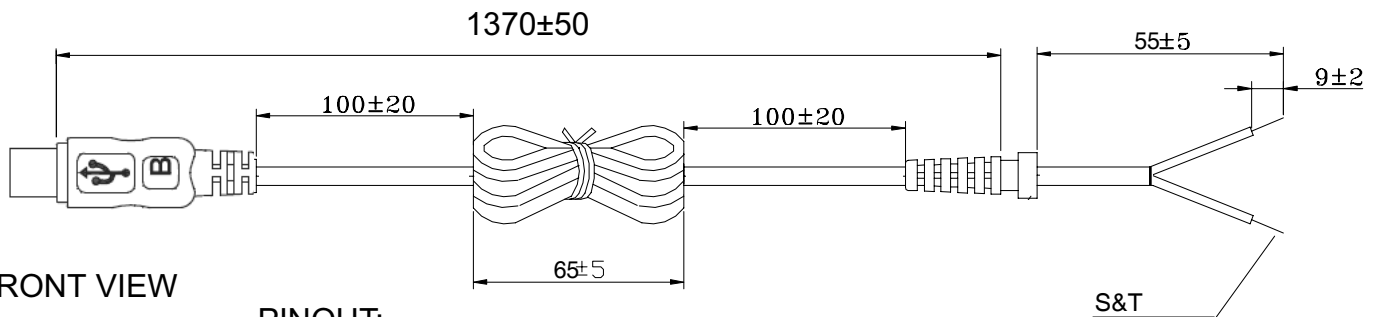
1 CONDUCTOR+SHIELD, 20 AWG STRANDED WIRE, ROUND UL 1185 CORD TYPE, COLOR BLACK, LENGTH OF CORD: 1370 ± 50 mm.

CORD IS MEASURED FROM THE HOUSING TO THE END OF OVERMOLD OF THE CONNECTOR.

CABLE IS TO BE MARKED WITH WIRE GAUGE, AND ALL APPLICABLE RATING AND SAFETY APPROVALS.

7. OUTPUT CONNECTOR:

MICRO USB TYPE 'B' MALE



FRONT VIEW



Micro-B

PINOUT:

- 1: +V
- 2: D+
- 3: D-
- 4: N/C
- 5: -V

NOTE: PIN 2 & PIN 3 SHORTED

GlobTek, Inc.
www.globtek.com

186 Veterans Dr. Northvale, NJ 07647
Tel. 201-784-1000 Fax 201.784.0111

DWG TITLE: DC / DC ADAPTOR, SINGLE OUTPUT 7.5W, 5VDC@1.5A
CONVERTER FAMILY, INPUT 11-16VDC, ITE, CIGARETTE LIGHTER

MODEL NO: GTD21108-1005

REV.
E

PART NO: DR6JA1500MUSB-Y(R)

SHEET 2 OF 3

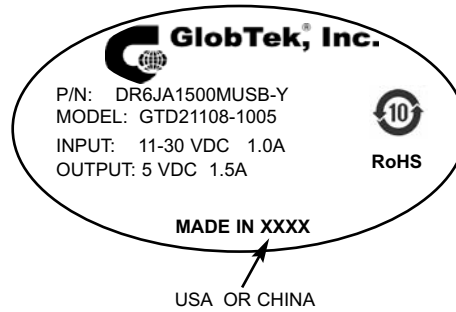
PROPRIETARY INFORMATION:

PROPRIETARY OF GLOBTEK, INC. ANY REPRODUCTION, DISCLOSURE OR USE OF THIS DRAWING, IN WHOLE OR IN PART, IS HEREBY PROHIBITED EXCEPT AS SPECIFIED IN WRITING BY GLOBTEK, INC.

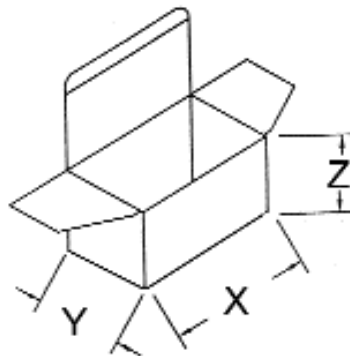
8. LABEL:

MATERIAL: .007 (0.18) THICK FLAT THERMAL TRANSFER, IMPRINTABLE, BLACK POLYESTER SHEET WITH WHITE NOMENCLATURE.


MANUFACTURER: STEVEN LABEL, MATERIAL I.D. NO.3302-33, UL FILE NO. MH12821(N), UL MATERIAL DESIGNATION FILE NO. GHW332RL. OPTIONAL LABEL MATERIAL CAN BE SUBSTITUTED PROVIDING MATERIAL IS UL LISTED AND COMPLIES WITH APPLICABLE SAFETY REQUIREMENTS.



9. INDIVIDUAL PACKING BOX:



X = 135 mm
Y = 76 mm
Z = 33 mm

 GlobTek, Inc. www.globtek.com	186 Veterans Dr. Northvale, NJ 07647 Tel. 201-784-1000 Fax 201.784.0111
DWG TITLE: DC / DC ADAPTOR, SINGLE OUTPUT 7.5W, 5VDC@1.5A CONVERTER FAMILY, INPUT 11-16VDC, ITE, CIGARETTE LIGHTER	
MODEL NO: GTD21108-1005	REV. E
PART NO: DR6JA1500MUSB-Y(R)	SHEET 3 OF 3