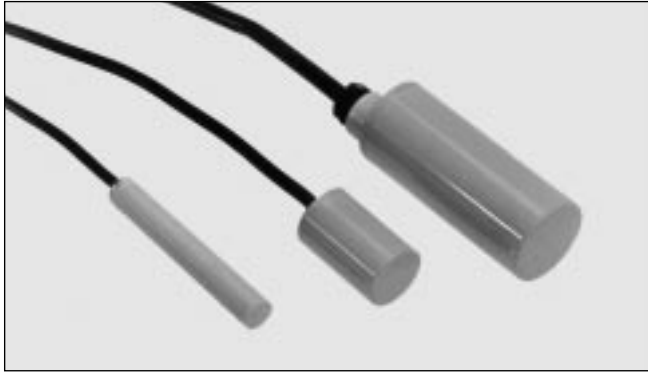


Proximity Sensors Capacitive Thermoplastic Polyester Housing Type DR E, Ø 11, Ø 22, Ø 30



- Thermoplastic polyester housing, cylindrical
- Diameter: Ø 11, Ø 22, Ø 30
- Sensing distance: 3 to 10 mm
- Power supply: 10 to 27 VDC
90 to 240 VAC
- LED-indication for output ON (AC types)
- 2 m cable

Product Description

Capacitive proximity switch in cylindrical polyester housing, Ø 11-30. Transistor NPN and thyristor outputs. Delivered with 2 m cable.

Ordering Key

DR 3 E

Type: Capacitive proximity switch
Output type

Type Selection

Housing diameter	Rated operating dist. (S _n) ³⁾	Ordering no. Transistor NPN Make switching	Ordering no. SCR Make switching	Ordering no. SCR Break switching
Ø 11 mm	3 mm ¹⁾	DR 3 E		
Ø 22 mm	5 mm ²⁾	DR 6 E		
Ø 30 mm	10 mm ¹⁾		DR 10 T	DR 10 TI

¹⁾ For non-flush mounting

²⁾ For flush mounting

³⁾ Object: Grounded steel plate

Specifications

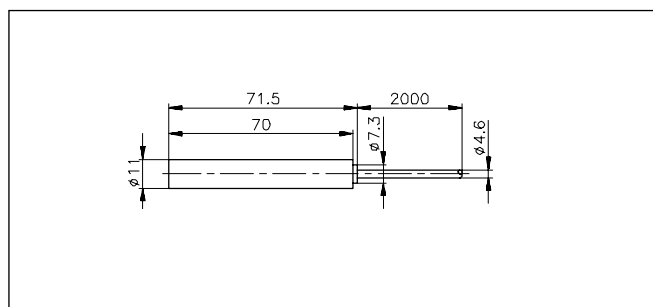
	Transistor NPN	SCR
Rated operational volt. (U _e) (U _B)	12 to 24 VDC 10 to 27 VDC (ripple included)	100 to 220 VAC, 50 to 60 Hz 90 to 240 VAC, 50 to 60 Hz
Ripple	≤ 10%	
Rated operational current (I _e) Continuous Short-time	≤ 200 mA ≤ 200 mA	≤ 150 mA ≤ 1 A, max. 20 ms, 1 Hz
No-load supply current (I _o)	DR 3 E: ≤ 5 mA DR 6 E: ≤ 9 mA	
Minimum load current		20 mA
OFF-state current (I _r)		Typ. 7 mA, max. 10 mA
Voltage drop (U _d)	≤ 2 V at max. load (DR 6 E: ≤ 0.25 V)	≤ 11 VAC at max. load
Protection	None	None
Frequency of operating cycles (f)	100 Hz	5 Hz
Indication for output ON	None	LED, yellow
Rated operating dist. (S _n)	DR 3 E 3 mm DR 6 E 5 mm Reference object: Grounded steel plate. Other objects: Refer to "Reduction Factors", Technical information.	10 mm Reference object: Grounded steel plate. Other objects: Refer to "Reduction Factors", Technical information.
Hysteresis (H) (Differential travel)	1 to 30% of sensing distance	1 to 40% of sensing distance



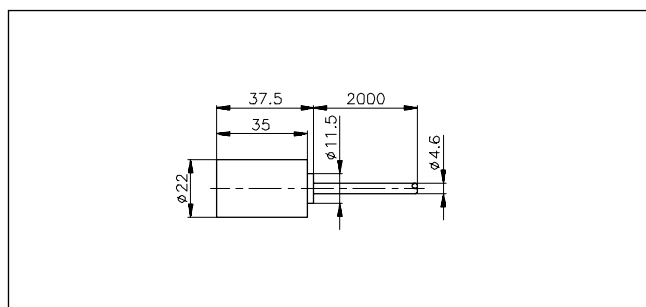
Specifications (cont.)

	Transistor NPN	SCR
Ambient temperature		
Operating	-20° to +60°C (-4° to +140°F)	-20° to +70°C (-4° to +158°F)
Storage	-20° to +60°C (-4° to +140°F)	-20° to +70°C (-4° to +158°F)
Degree of protection	IP 67 (Nema 1, 3, 4, 6, 13)	IP 67 (Nema 1, 3, 4, 6, 13)
Housing material		
Body	Yellow thermoplastic polyester	Yellow thermoplastic polyester
Back	Yellow thermoplastic polyester	Yellow thermoplastic polyester
Cable	2 m, 3 x 0.4 mm ² black PVC	2 m, 2 x 0.75 mm ² black PVC
Weight	DR 3 E 50 g DR 6 E 50 g	110 g

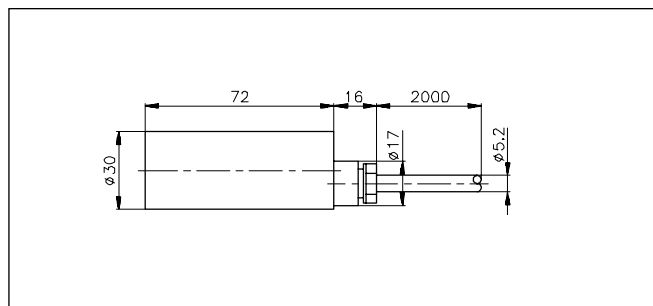
Dimensions



DR 3 E



DR 6 E



DR 10 ..

Wiring Diagrams

Refer to "Wiring Diagrams",
Technical information.

Installation Hint

Refer to "Installation Hints",
Technical information.

Power Supplies

Power supplies VDC:
> SS 130/140.
Power supplies with amplifier
relays: > SV 190.

Accessories

Refer to "Accessories",
Technical information.