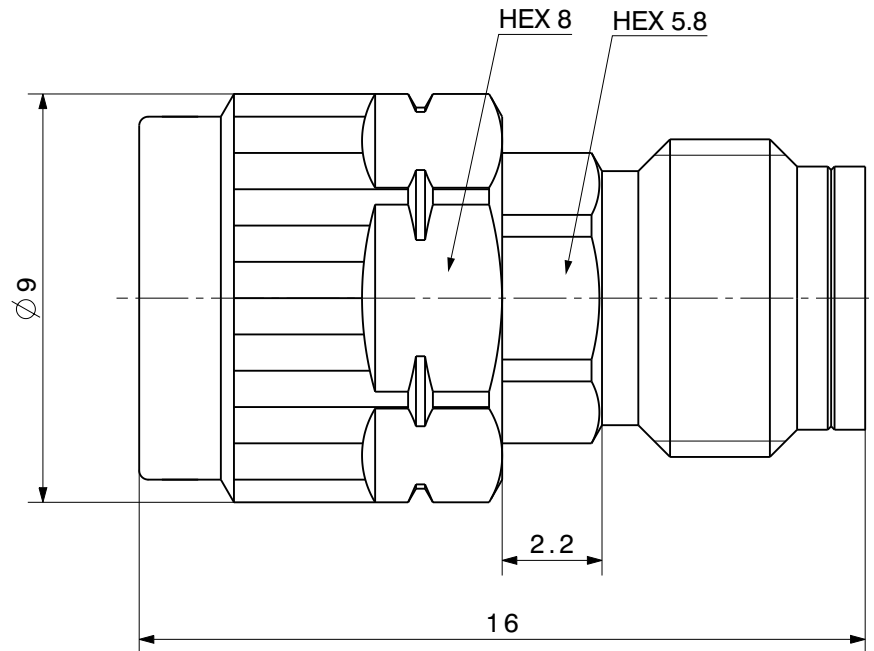


Types:
6603_PC24-50-1
6606_PC24-50-1
6610_PC24-50-1
6620_PC24-50-1



Type:

All dimensions after treatment in millimeter (mm)

Assembly drawing

Released date: 31.10.2022

alternative ID

3D-ID PRO-01168095 A Sheet: 1 / 1

HUBER+SUHNER

description
Attenuator

ID Release
DOU-01168096 A