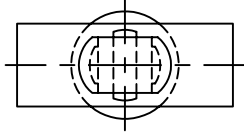
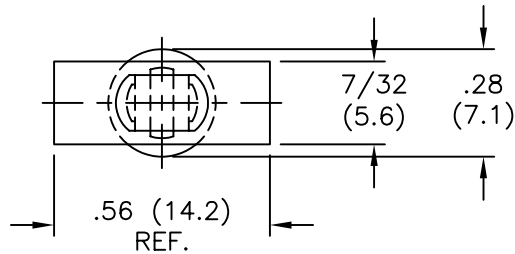
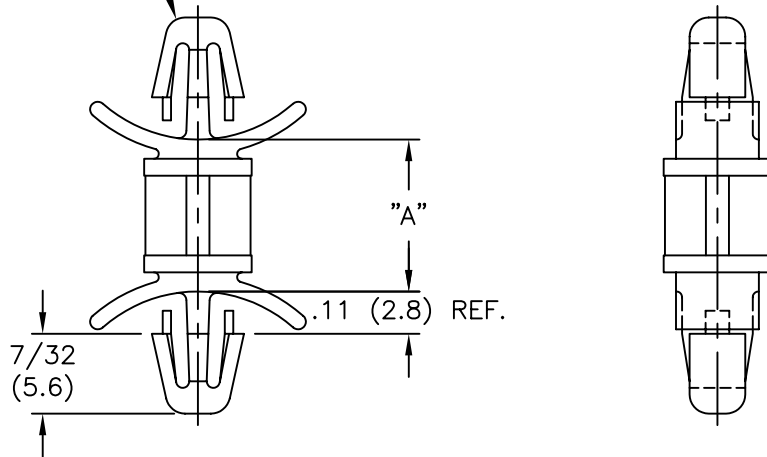


| | | |
|---|--|------------|
| NYLON 6/6 (RMS-01) COLOR: NATURAL PART NO. | FLAME RET. (RMS-19) COLOR: NATURAL PART NO. | DIM. "A" |
| DLCBS2-3-01 | DLCBS2-3-19 | 3/16 (4.8) |
| DLCBS2-4-01 | DLCBS2-4-19 | 1/4 (6.4) |
| DLCBS2-6-01 | DLCBS2-6-19 | 3/8 (9.5) |
| DLCBS2-8-01 | DLCBS2-8-19 | 1/2 (12.7) |
| DLCBS2-10-01 | DLCBS2-10-19 | 5/8 (15.9) |
| DLCBS2-12-01 | DLCBS2-12-19 | 3/4 (19.1) |
| DLCBS2-14-01 | DLCBS2-14-19 | 7/8 (22.2) |



TO SNAP-LOCK IN A $.187 \pm .003$
(4.75 ± 0.08) DIA. HOLE, IN A
 $1/16$ (1.6) NOM. THK. BOARD/CHASSIS
[BOTH ENDS]



NOTES:

- IMPACT MODIFIED NYLON (RMS-73),
COLOR: NATURAL.
AVAILABLE BY SPECIAL ORDER ONLY;
TO ORDER USE P/N DLCBS2-X-73.

| | | |
|-------------|----------------------------|------------------|
| C | UPDATED NOTES AND TABLE | S.M. 04.05.02 |
| B | MAT'L RMS-19 ADDED | JL 12.19.97 |
| A | CONVERTED TO ACAD | PB 03.06.95 |
| R E V | DESCRIPTION | ENGR DATE |

TITLE: DUAL LOCKING CIRCUIT BOARD SUPPORT, TYPE 2



| | | | | | |
|--|------------------|--|------|---------------|------------|
| TOLERANCES UNLESS NOTED .XX=±.010 .XXX=±.005 FRAC=1/64 ANG=1° | FILE # DLCBS2 | DWN: P.B. | APP: | FINAL | |
| | MAT'L: SEE TABLE | DT: 03-06-95 | DT: | PART # | PRINT |
| | RE: RICHCO, INC. | RICHCO INC. PO BOX 804238, CHICAGO, 60680 (773) 539-4060 | | DLCBS2-SERIES | TYPE CA |