

UL Approved Illuminated Anti-Vandal Pushbutton – 25mm or 30mm

Combining the LED illumination and metal body of the DH Series switch with the UL recognized switching capability of the VM3 Series snap-action switch.

Specifications

Electrical Ratings	1/2 hp @ 125VAC/250VAC; T120 10.1A @ 277VAC resistive; T120 10.1A @ 125VAC inductive; T120
Evaluated to UL 61058-1	
Evaluated to UL 1054	16A @ 125VAC/250VAC resistive; T120 6A @ 125VAC/250VAC general purpose; T120 5A @ 125VAC inductive; T120
Electrical Life	100,000 cycles average

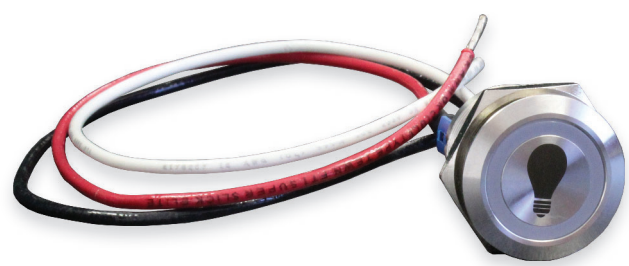
Contact Resistance	≤ 20mΩ initial
Actuation Force	500 ± 100gF
Actuation Travel	3.2 ± .25mm
Dielectric Strength	2,000Vrms min @ sea level contact to contact 2,000Vrms min @ sea level to LED
Insulation Resistance	≥ 1,000MΩ min @ 500VDC
Sealing Degree	IP67
Operating Temperature	-40°C to 85°C
Storage Temperature	-40°C to 85°C

Materials

Actuator	Stainless Steel, Anodized Aluminum
LED Lens	Polycarbonate (PC)
Threaded Housing	Stainless Steel, Anodized Aluminum
Terminal Support	Polybutylene Terephthalate (PBT)
Snap Action Switch Base / Cover	Polybutylene Terephthalate (PBT), UL94-V0
Snap Action Switch Pin Plunger	Polybutylene Terephthalate (PBT), UL94-V0
Snap Action Switch Contacts	Silver Alloy
Snap Action Switch Terminals	Silver plated Copper Alloy
Snap Action Switch Support Frame	POM
Hardware	One Hex Nut & one “O” Ring supplied

Custom Capabilities Contact Factory

Cable Assemblies



Shine Through Symbols



Custom Laser Etching



Custom Plastic Convex Actuators



Dimensions are shown for reference purposes only. Specifications and availability subject to change without notice. DHU Rev B 11/2022



UL Approved Illuminated Anti-Vandal Pushbutton – 25mm or 30mm

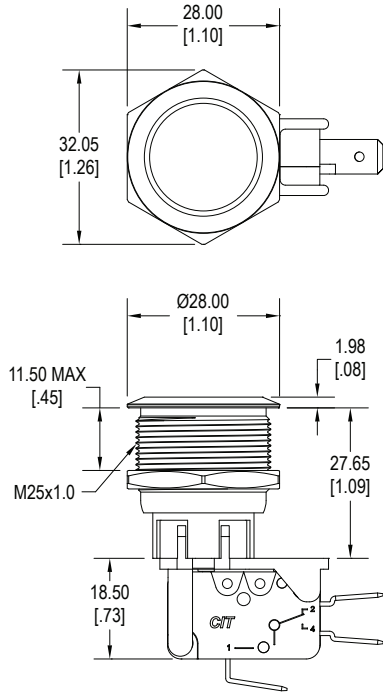
Ordering Information

1. Series	DHU25	1	N	B	S	R	12	B																														
DHU25 DHU30																																						
2. Number of Poles	1 = SPDT																																					
3. Bezel Style	Blank = Standard Bezel H = Straight Bezel																																					
4. Latching Option	N = Momentary L = Latching																																					
5. Actuator Style:	A = Flush actuator, non-illuminated B = Flush actuator, ring illuminated C = Flush actuator, dot illuminated G = Flush actuator, Int'l standby symbol illuminated <small>only available with DHU25</small> MR = Mushroom actuator, red anodized aluminum <small>only available with DHU25 momentary</small>																																					
6. Switch Finish	S = Brushed Stainless Steel B = Black Anodized Aluminum G = Green Anodized Aluminum R = Red Anodized Aluminum U = Blue Anodized Aluminum Y = Yellow Anodized Aluminum																																					
7. First LED Color	<table border="0"> <tr> <td>X = No LED</td> <td>RO = Red / Orange dual LED</td> <td>* Contact Factory for other LED options</td> </tr> <tr> <td>R = Red</td> <td>RY = Red / Yellow dual LED</td> <td></td> </tr> <tr> <td>Y = Yellow</td> <td>RG = Red / Green dual LED</td> <td></td> </tr> <tr> <td>G = Green</td> <td>RB = Red / Blue dual LED</td> <td></td> </tr> <tr> <td>B = Blue</td> <td>OY = Orange / Yellow dual LED</td> <td></td> </tr> <tr> <td>W = White</td> <td>OG = Orange / Green dual LED</td> <td></td> </tr> <tr> <td>O = Orange</td> <td>OB = Orange / Blue dual LED</td> <td></td> </tr> <tr> <td></td> <td>YG = Yellow / Green dual LED</td> <td></td> </tr> <tr> <td></td> <td>YB = Yellow / Blue dual LED</td> <td></td> </tr> <tr> <td></td> <td>GB = Green / Blue dual LED</td> <td></td> </tr> </table>								X = No LED	RO = Red / Orange dual LED	* Contact Factory for other LED options	R = Red	RY = Red / Yellow dual LED		Y = Yellow	RG = Red / Green dual LED		G = Green	RB = Red / Blue dual LED		B = Blue	OY = Orange / Yellow dual LED		W = White	OG = Orange / Green dual LED		O = Orange	OB = Orange / Blue dual LED			YG = Yellow / Green dual LED			YB = Yellow / Blue dual LED			GB = Green / Blue dual LED	
X = No LED	RO = Red / Orange dual LED	* Contact Factory for other LED options																																				
R = Red	RY = Red / Yellow dual LED																																					
Y = Yellow	RG = Red / Green dual LED																																					
G = Green	RB = Red / Blue dual LED																																					
B = Blue	OY = Orange / Yellow dual LED																																					
W = White	OG = Orange / Green dual LED																																					
O = Orange	OB = Orange / Blue dual LED																																					
	YG = Yellow / Green dual LED																																					
	YB = Yellow / Blue dual LED																																					
	GB = Green / Blue dual LED																																					
8. LED Voltage	<table border="0"> <tr> <td>Z = No LED</td> <td>24 = 24V</td> </tr> <tr> <td>6 = 6V</td> <td>110 = 110V</td> </tr> <tr> <td>12 = 12V</td> <td>220 = 220V</td> </tr> </table> <p>N = No internal resistor in series with the LED</p>								Z = No LED	24 = 24V	6 = 6V	110 = 110V	12 = 12V	220 = 220V																								
Z = No LED	24 = 24V																																					
6 = 6V	110 = 110V																																					
12 = 12V	220 = 220V																																					
10. Terminal Option	A = .187" Quick Connect Switch Terminals and .110" Quick Connect LED Terminals B = .250" Quick Connect Switch Terminals and .110" Quick Connect LED Terminals																																					

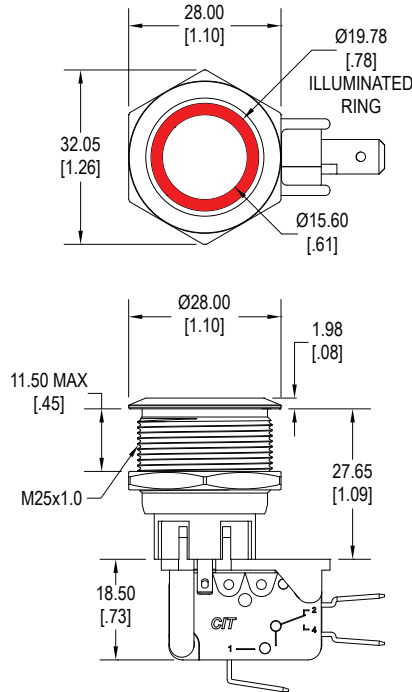
Dimensions

25mm - Momentary

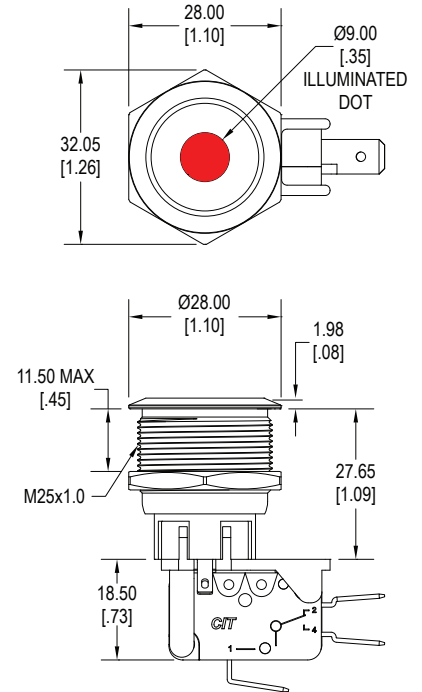
A Actuator



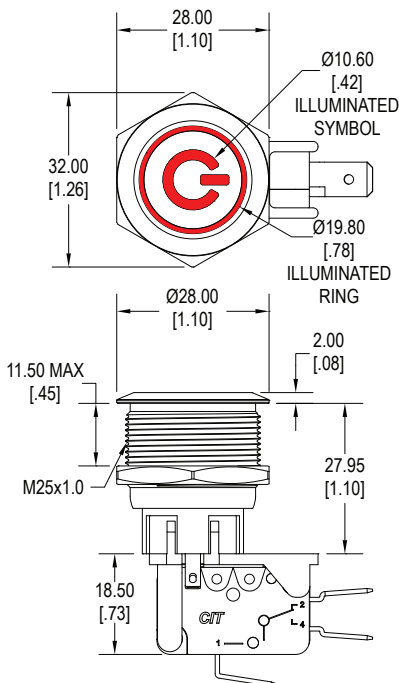
B Actuator



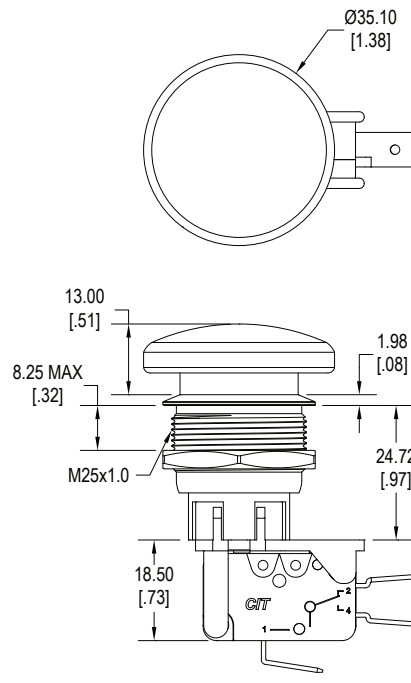
C Actuator



G Actuator



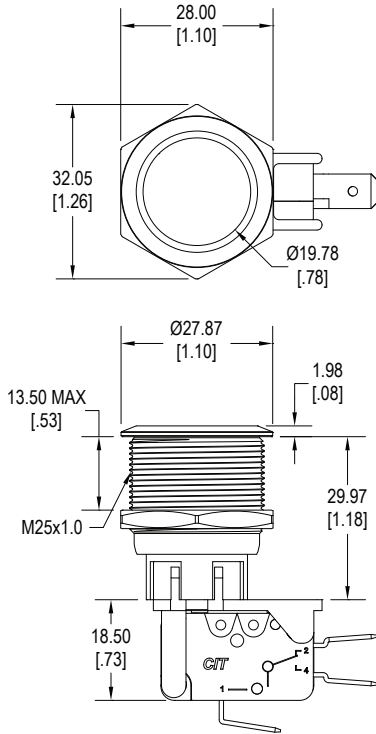
MR Actuator



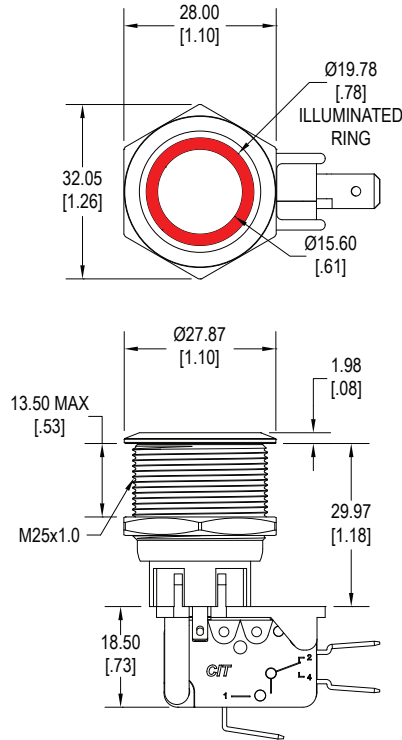
Dimensions

25mm - Latching

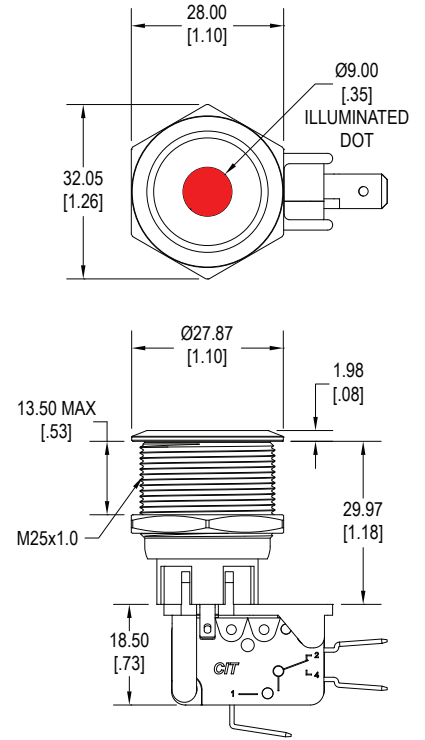
A Actuator



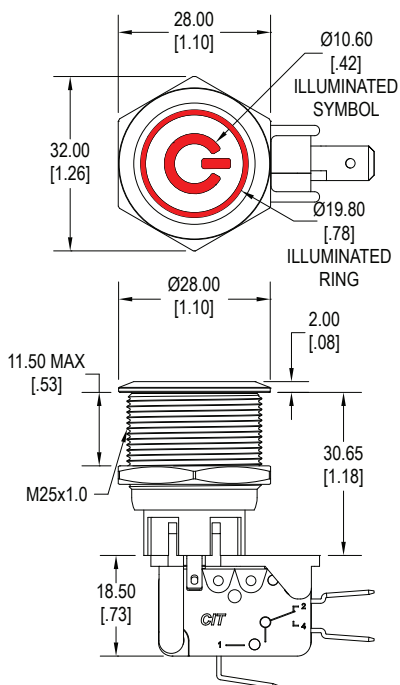
B Actuator



C Actuator



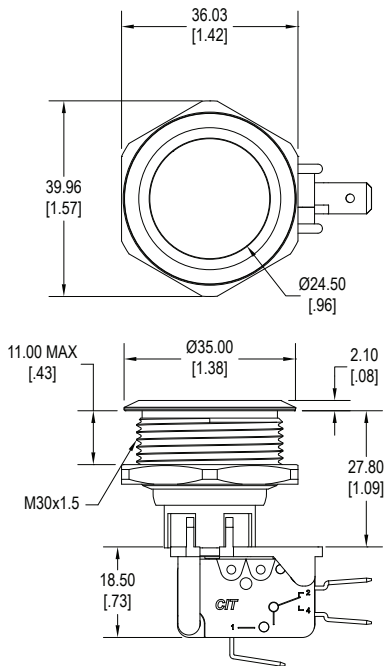
G Actuator



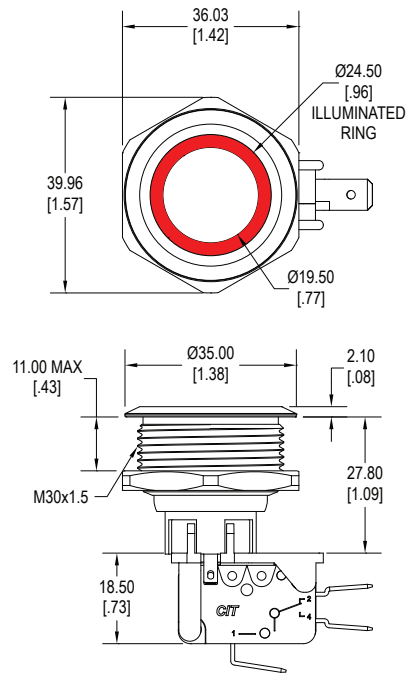
Dimensions

30mm - Momentary

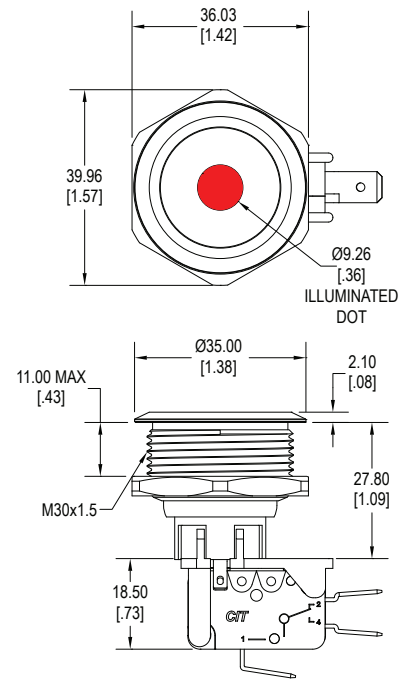
A Actuator



B Actuator

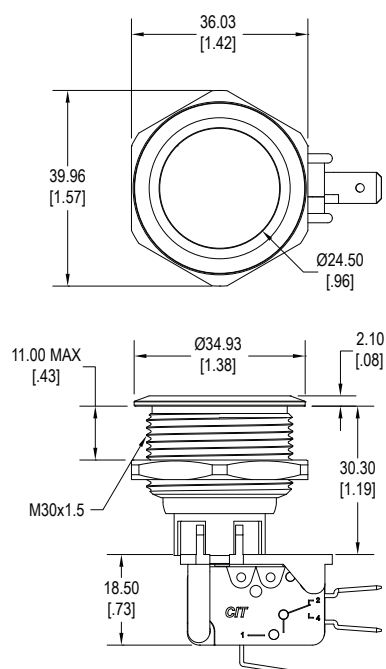


C Actuator

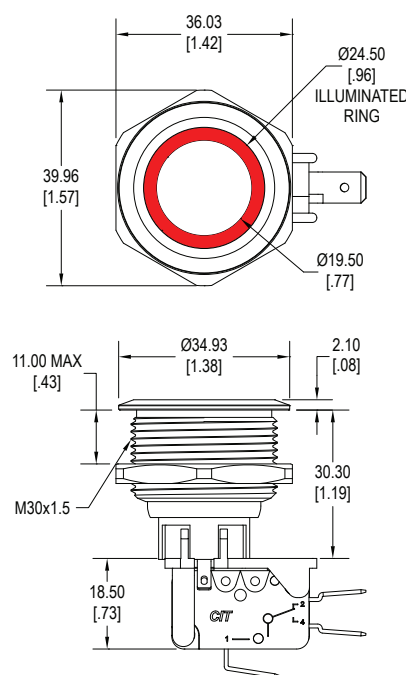


30mm - Latching

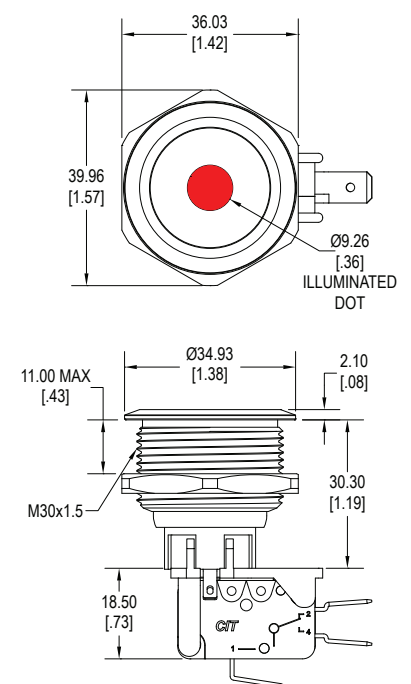
A Actuator



B Actuator

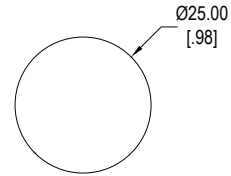
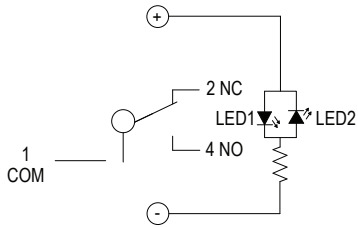


C Actuator

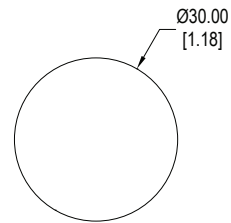
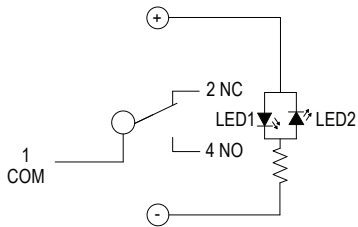


Schematic & Panel Cut-Out

22mm

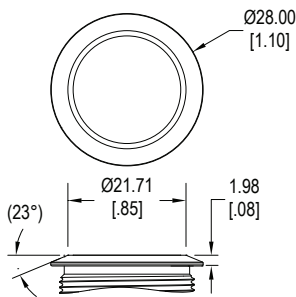


30mm

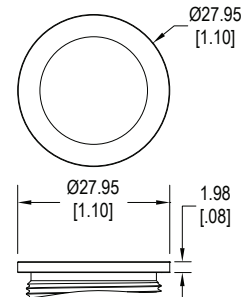


Bezel Detail

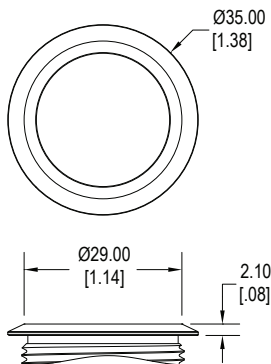
22mm Standard



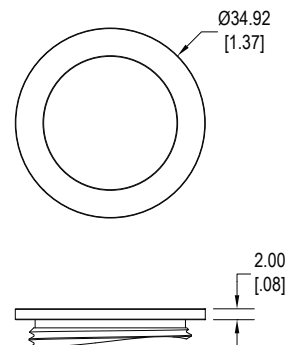
22mm Straight



30mm Standard



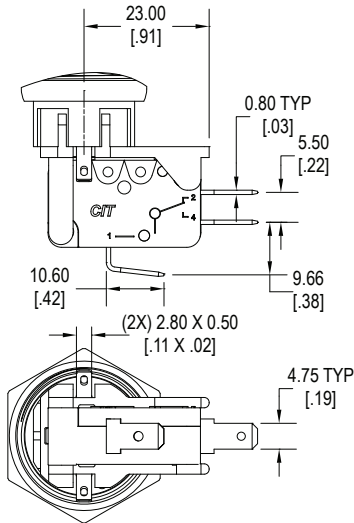
30mm Straight



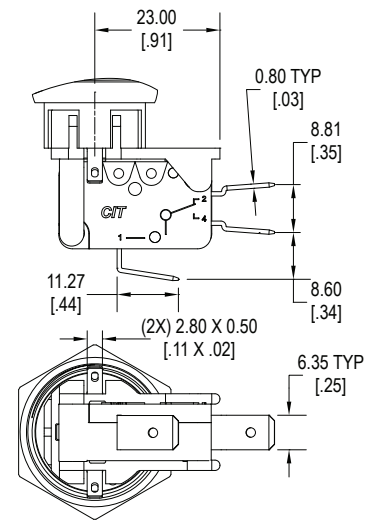
Terminal Detail

25mm

A = .187"
utilizing part number VM3CQF1802L00

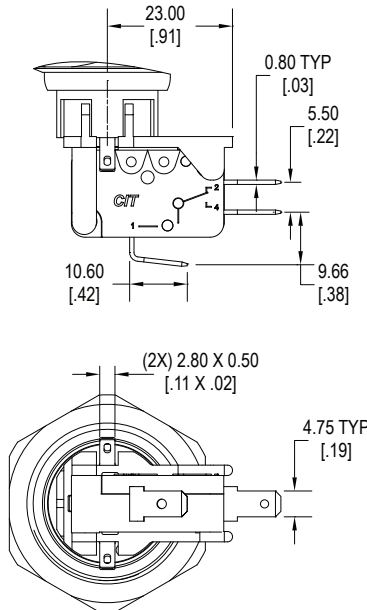


B = .250"
utilizing part number VM3CQF1801L00

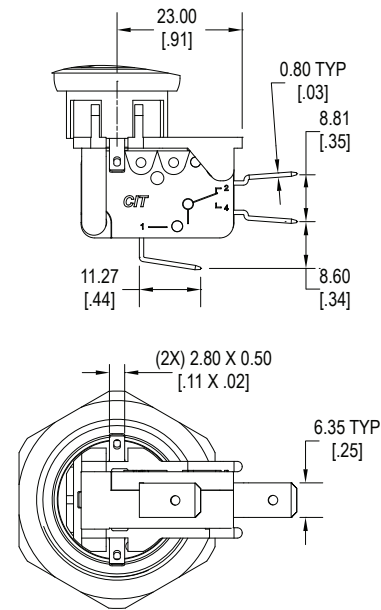


30mm

A = .187"
utilizing part number VM3CQF1802L00



B = .250"
utilizing part number VM3CQF1801L00



LED Characteristics

LED Ratings		Color						Units
		R	Y	G	B	O	W	
Reverse Voltage	V_R	5	5	5	5	5	5	V
Forward Current (peak)	I_{FS}	120	120	160	160	120	160	mA
Reverse Current $V_R = 5V$	I_R	10	10	10	10	10	10	μA
Power Dissipation	P_T	80	80	120	120	80	120	mW
Forward Voltage (typ) $I_F = 20mA$	V_F	2.1	2.1	3.3	3.3	2.0	3.0	V
Luminous Intensity, $I_F = 20mA$	LI	120	120	170	100	120	700	mcd