



Part Number: DHC6018

Electrical Specifications

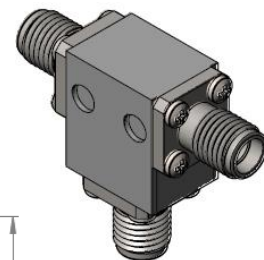
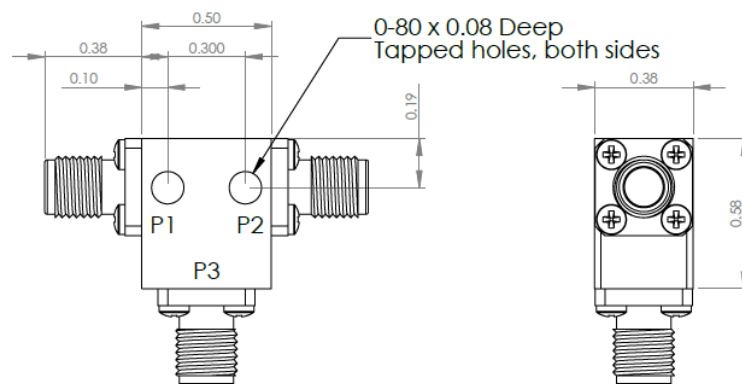
Frequency Range (GHz):	6.0 – 18.0
Isolation (dB):	14 MIN
Insertion Loss (dB):	1.0 MAX
VSWR:	1.5:1 MIN
Forward Power (W):	10 AVG 20 PK

Mechanical/Environmental Specifications

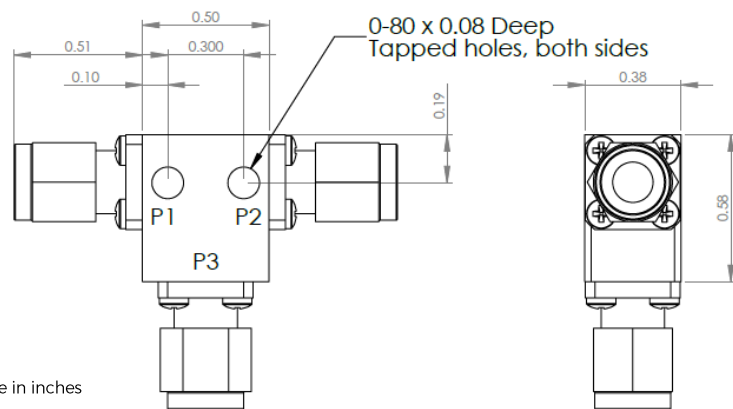
Connector Type:	SMA
Connector Body:	Passivated stainless steel
Connector Pin:	Gold plated copper
Load Body:	Brass
Magnetic Shunt:	Nickel plated CRS
External Coating:	Epoxy
Operational Temp:	-20°C to +85°C
Weight (oz):	0.5 MAX
Humidity:	> 95% RH
Vibration:	50grms
Shock:	20g pk
Altitude:	> 50kft
Screening Test:	Non-Operational Thermal Cycles
ATP:	Operational thermal cycling

Test Report Included w/CofC. To customize test procedures or specifications to your requirements, please contact DiTom.

DHC6018 Dimensions



DHC6018-3 Dimensions



Dimensions are in inches
Tolerance
XX ±0.03
XXX ±0.010

Type of Device	PN Suffix	Connector Configuration Input / Output	PN Example
Single Junction Circulator 3-Port Device Port 1 / Port 2 / Port 3	No Dash	Female / Female / Female	DHC6018
	-1	Male / Female / Female	DHC6018-1
	-2	Female / Male / Female	DHC6018-2
	-3	Male / Male / Male	DHC6018-3
	-4	Female / Female / Male	DHC6018-4
	-5	Male / Female / Male	DHC6018-5
	-6	Male / Male / Female	DHC6018-6
-7	Female / Male / Male	DHC6018-7	



MEASURED DATA

Part Number: DHC6018, P1→P2, P3 Terminated with 50Ω, +25°C

