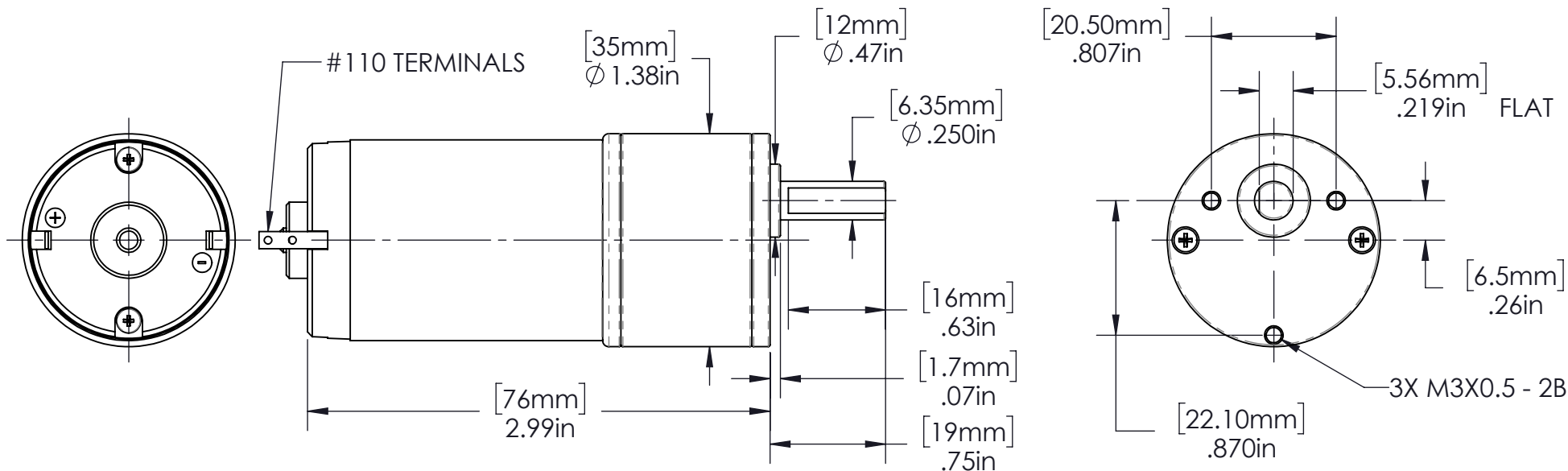
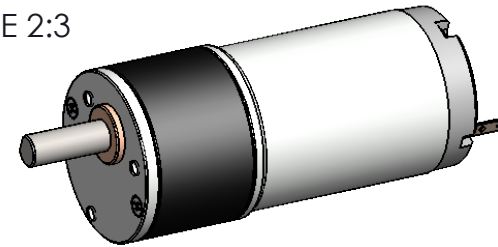


NOTES: UNLESS OTHERWISE SPECIFIED
 1. ALL DIMENSIONS FOR REFERENCE ONLY.
 2. OUTPUT SHAFT DIRECTION IS REVERSIBLE.
 3. MOTOR IS NOT DESIGNED FOR STALL.

SCALE 2:3



DCM-1027-12	12	30 RPM	60 OZ-IN	0.35 AMPS
DCM-1027-24	24	60 RPM	75 OZ-IN	0.50 AMPS
PART #	VOLTS	SPEED	TORQUE	CURRENT

I/WE CERTIFY THAT SAMPLES OF THIS MOTOR HAVE BEEN FULLY TESTED BY THE UNDERSIGNED AND THAT ALL SPECIFICATIONS HAVE BEEN REVIEWED FOR PRODUCTION. MULTIPRODUCTS COMPANY, INC. IS NOT RESPONSIBLE FOR MOTORS THAT FAIL IN THE FILED DUE TO INSUFFICIENT TESTING OF THE SAMPLE MOTORS.

I/WE AGREE TO PROVIDE MULTIPRODUCTS COMPANY, INC. WITH CURRENT DRAWINGS AND IN-HOUSE TEST PROCEDURES AS THEY BECOME AVAILABLE.

ANY CHANGES THAT I/WE MAY MAKE WHICH OCCUR AFTER THE DATE SHOWN ARE SUBJECT TO REVIEW AND MAY AFFECT UNIT PRICE AND/OR DELIVERY DATES.

SIGNATURE _____ PRINT NAME _____ DATE _____
 IN ORDER TO BEGIN PRODUCTION, MULTIPRODUCTS COMPANY, INC. MUST HAVE SIGNED APPROVAL.

REV.	DESCRIPTION	DATE	ECO#
<div style="display: flex; align-items: center;"> <div> <h2>MULTI PRODUCTS</h2> <p>Company, Inc.</p> </div> </div>			
PART NAME/DESCRIPTION: DC GEARHEAD MOTOR			
DRAWN BY: DAB	DATE: 4/23/2015	SCALE: 1:1	MATERIAL: VARIOUS
CHK'D BY: DMR	DATE: 4/23/2015	PART NUMBER: MOD-DCM-1027	
APPR'D BY: RP	DATE: 4/23/2015		

TOLERANCES

X.XX: ±010

X.XXX: ±005

FRACTION: ±1/64

ANGLE: ±2°

UNLESS OTHERWISE SPECIFIED